



THE LEADERS IN RECREATION, FITNESS AND ABILITY!

9889 Garrymore Ln
Missoula, MT 59808

888-687-3552 | +1-406-549-0769

www.aquacreek.com

Scout, Titan, & Revolution Fixing Kit Instructions

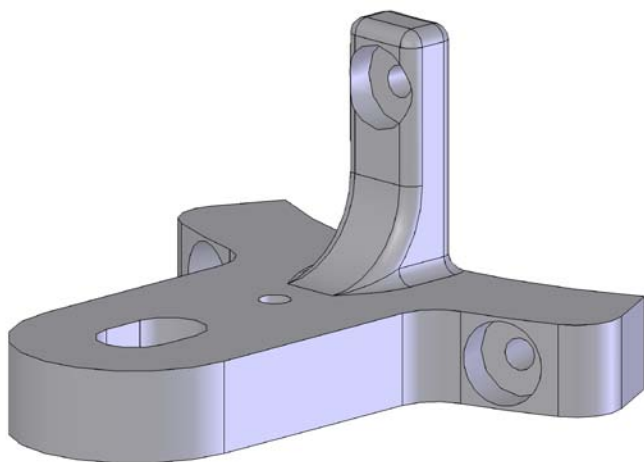
PART #: F-840SDS

MANDATORY

LEAVE THIS MANUAL WITH LIFT OWNER

Read and follow all instructions.

Lift safety can only be ensured if the lift is installed and operated according to these instructions.



- NEVER permit children to play on or around the lift
- Do not allow children to use the lift without adult supervision
- NEVER apply direct water pressure to the electronics
- NEVER use the lift with a dry pool

READ CAREFULLY

Check entire box and all packing materials for parts. Before beginning assembly, read the instructions and identify parts using the figures and parts listed in this document.

It is critical that all parts be carefully inspected prior to installation. If any damage occurred in transit, Aqua Creek Products, LLC must be notified within three days of receipt of unit.

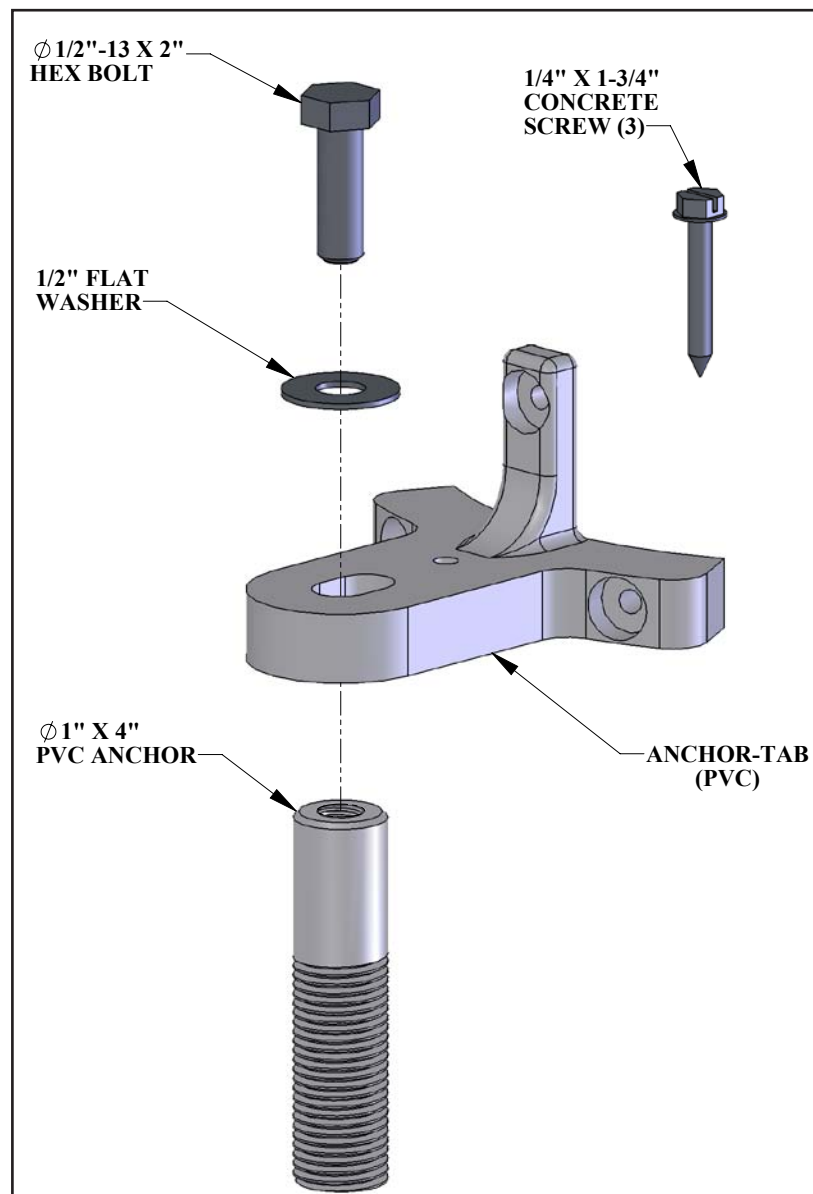
Proper installation cannot be overstressed, as an improper installation voids Aqua Creek's warranty and may affect the safety of the user.

The 2nd Anchor System: Fixing Kit

The 2nd Anchor System has been designed to comply with the latest ADA requirements. It has a simple but robust design, and can be retrofitted with a nominal amount of time, tools and expense. Below is a diagram showing the basic features of the 2nd Anchor System.

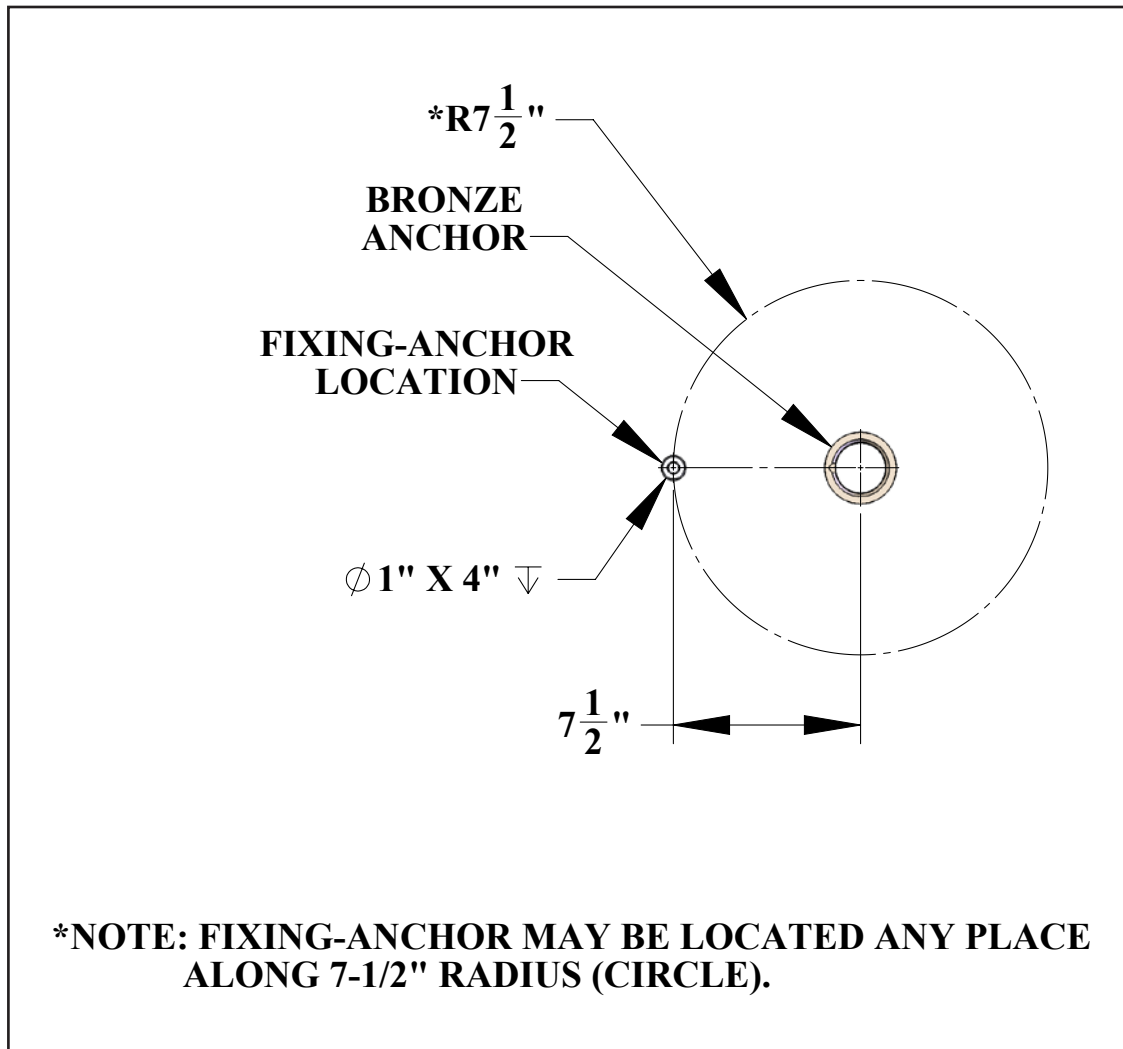
Note that the 2nd Anchor System has been designed to comply with the NEC requirements for bonding. The applicable section from the NEC code reads;

(5) Metal Fittings – All metal fittings within or attached to the pool structure shall be bonded. Isolated parts that are not over 100mm (4 in.) in any dimension and do not penetrate into the pool structure more than 25mm (1 in.) shall not require bonding.



Fixing Kit: Installation Instructions

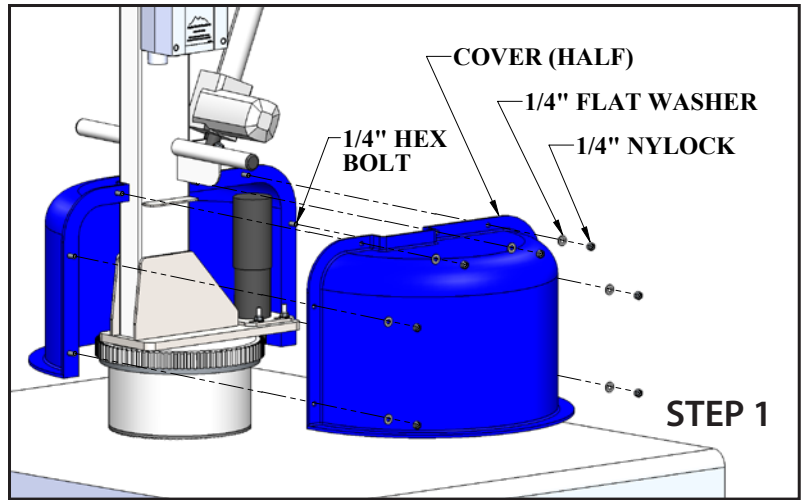
The Fixing-Anchor was designed to make the Scout, Titan, and Revolution lifts 100% ADA compliant, and using the Fixing-Kit, any Scout, Titan, or Revolution lift can be retro-fitted with this accessory. The Fixing-Anchor is installed 7-1/2" from the center of the bronze anchor, as shown below.



NOTE: The anchor hole will usually be core-drilled after installing the ANCHOR TAB. If you want to core-drill first use the ANCHOR TAB to mark the holes' center for drilling and go to STEP 4 (page 6) for anchor-insert installation.

STEP 1:

Remove the plastic cover by first removing the eight (8) 1/4" bolts and nuts from the flange with 7/16" tools (socket & or wrench). Set the cover and hardware aside.

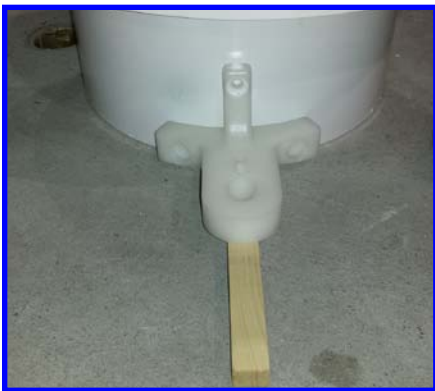
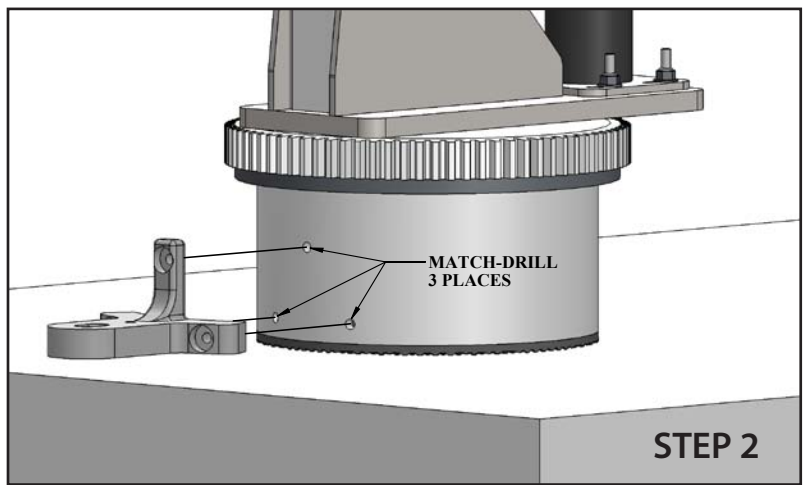


STEP 2:

Place the ANCHOR TAB assembly in position 1/4" to 3/8" from the bottom edge of the base tube. Match-drill three (3) holes with a masonry drill-bit. Drill to a depth of at least 2 inches.

HINT: Use a shim to hold the ANCHOR TAB about 1/4" to 3/8" above the deck surface and match-drill the middle-top hole first.

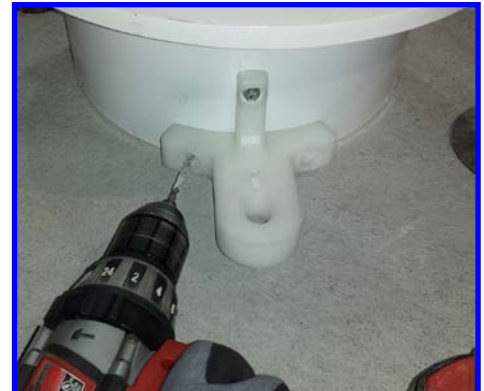
****Use only a masonry drill-bit. A standard high-speed bit will not penetrate the concrete.***



USE A SHIM UNDER THE TAB



MATCH-DRILL CENTER HOLE



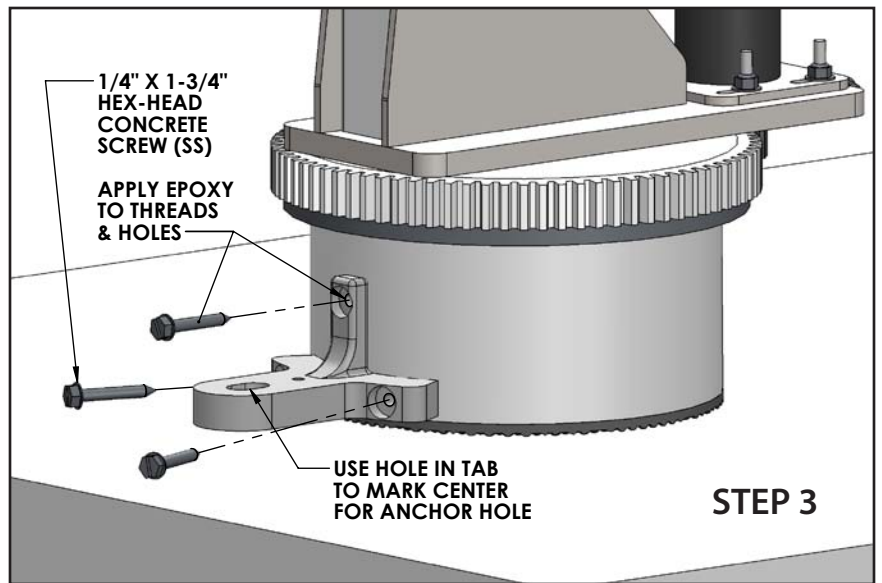
**MATCH-DRILL OTHER HOLES
(CENTER BOLT INSTALLED)**

STEP 3:

Check the holes by dry-fitting the supplied 1/4" x 1-3/4" stainless-steel concrete screws to make sure the holes are in the proper locations. Apply *epoxy to the holes (in the base) and to each screw (optional) and install the concrete screws. Make sure all three screws are tight.

STEP 3-A:

Next, mark the center of the hole for the anchor insert. The ANCHOR TAB has a slotted hole to allow for some error. Center-to-center distance is 7-1/2".



**INSTALL THE CONCRETE SCREWS
(5/16" DRIVER OR SLOT SCREWDRIVER)**

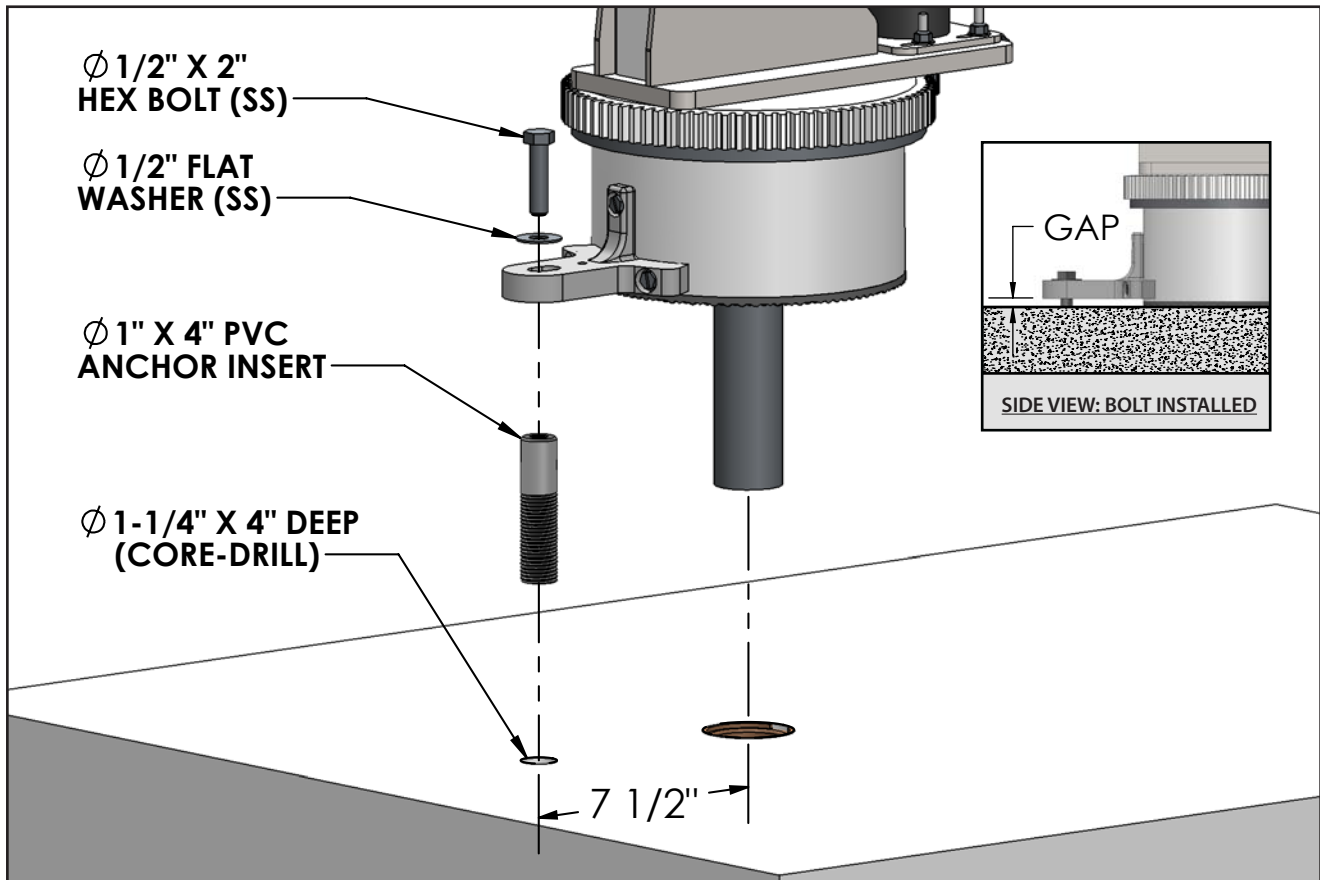
***Use HILTI RE-500-SD or SIMPSON SET-XP anchor adhesive or equivalent.**

STEP 4:

Mark the center of the fixing-anchor using the fixing tab. Remove the lift from the anchor and check to make sure that the marked center is 7-1/2" from the center of the main anchor-sleeve. With a 1-1/2" diameter core-drill bit and a core-drill rig, drill a 1-1/2" x 4" deep hole for the anchor insert. Remove the core and clean out the hole. Make sure the hole is dry before adding epoxy. Fill the hole 1/2 full with *epoxy and install the PVC ANCHOR INSERT flush with the deck surface. ***Allow 24 hours for the epoxy to cure before installing the lift.***

STEP 5:

Install the lift and secure it down with a 1/2" x 2" hex bolt and flat washer. Install the bolt by hand first and then tighten with a 3/4" wrench or socket. ***Do not over-tighten! If the tab is bent down it's too tight.*** Replace the cover and the hardware from STEP 1.



INSTALL BOLT & THREAD BY HAND



TIGHTEN WITH 3/4" WRENCH
TIGHTEN UNTIL BOLT IS FLUSH
DO NOT OVERTIGHTEN!

****Use HILTI RE-500-SD or SIMPSON SET-XP anchor adhesive or equivalent.***