



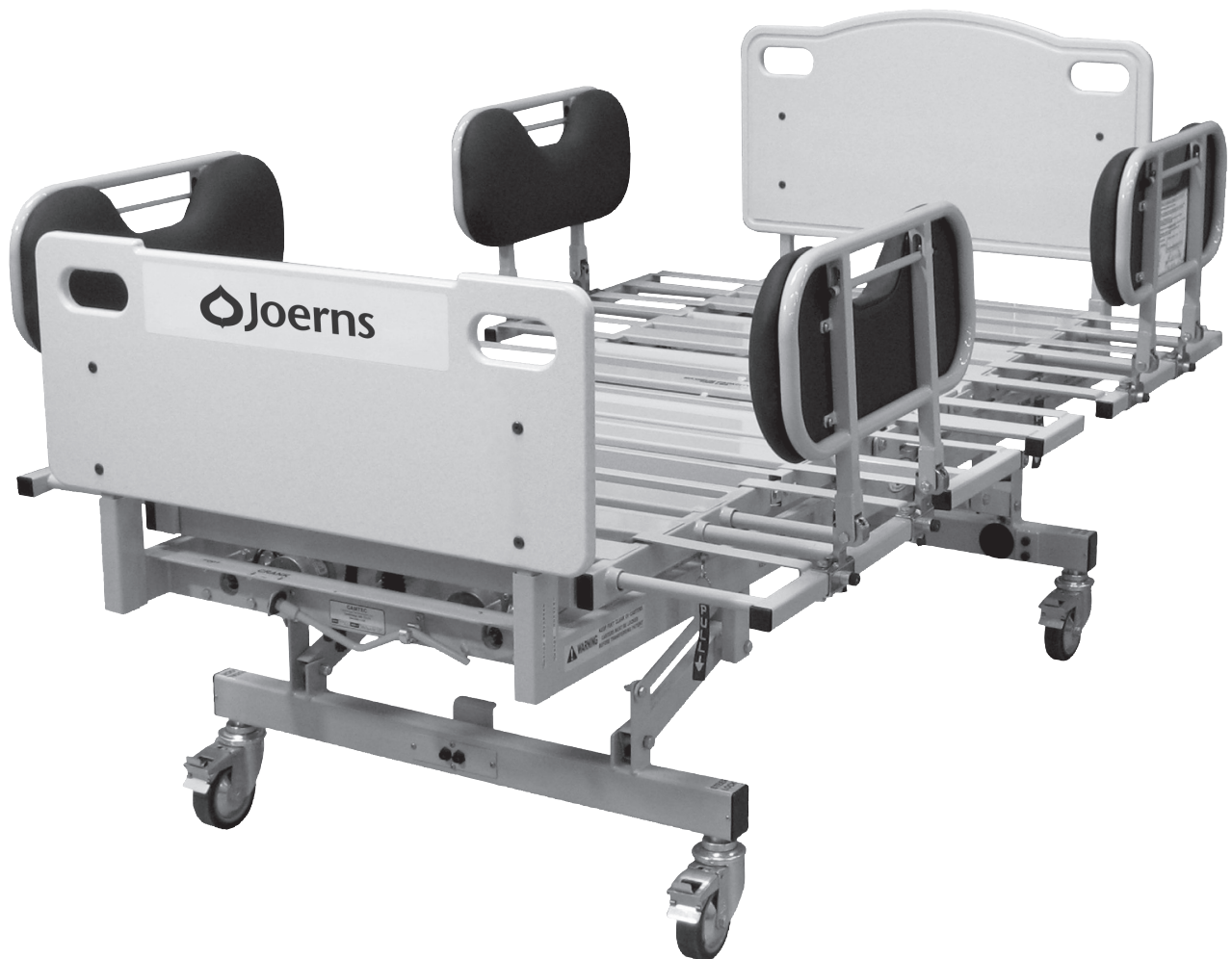
User-Service Manual

Joerns® Camtec Series Bed Frames

RC 1000 Bed

Expandable Split-frame Bariatric Bed
Model RC1000

To avoid injury, read user's manual before using.



Camtec™
The Caregiver's Choice

Important Precautions

- ⚠ **Caution:** Rotating parts. Keep fingers and arms clear of bed when mechanism is moving.
- ⚠ **Caution:** Pinch points. Keep objects away from these areas while bed is in motion.
- ⚠ **Caution:** Electrical hazard may occur if bed is plugged into inadequate power supply. Make sure to use a 115 volt, 3 prong, grounded outlet with a capacity of at least 15 amps.
- ⚠ **Caution:** Keep feet clear of casters. Make sure casters are locked before transferring patients.
- ⚠ **Caution:** Make sure that the cords from the control module and pendant are properly positioned before operating the bed. Do not allow either cord to get caught in the moving parts of the bed.
- ⚠ **Caution:** When using a turning mattress, make sure there is a bolster between the mattress and side rail.
- ⚠ **Warning:** Keep all objects out from under bed. Certain parts under the bed raise and lower when the bed is in motion.
- ⚠ **Warning:** Do not place arms or head into frame while operating. Stand clear of the bed frame before operating.
- ⚠ **Warning:** Do not operate this device if the power cord or any of the cords coming from the control module are cut, frayed, damaged or loosely connected.
- ⚠ **Warning:** Do not service the bed without first disconnecting the power cord.
- ⚠ **Warning:** The bed must be unplugged from the wall socket prior to using the emergency crank. Failure to do so may result in damage to the bed and injury to the personnel using the crank.
- ⚠ **Warning:** ESD - electrostatic discharge.
- ⚠ **Warning:** The bed should be left in the lowest position when unattended in order to reduce the risk of injury due to falls while getting into or out of bed, or while lying on the bed.
- ⚠ **Warning:** When raising or lowering bed, casters at the foot end should be in the steer position. Head end should be free to move.

⚠ **Warning: Possible Fire Hazard.** Use nasal mask or ½ bed tent oxygen administering equipment. Oxygen tent should not extend below mattress support platform. Pendant should not be placed in an oxygen enriched environment such as an oxygen tent. Use of electrical circuits in an oxygen-enriched environment could result in a fire hazard.

⚠ **Warning: Possible Injury Or Death.** An optimal bed system assessment should be conducted on each resident by a qualified clinician or medical provider to ensure maximum safety of the resident. The assessment should be conducted within the context of, and in compliance with, the state and federal guidelines related to the use of restraints and bed system entrapment guidance, including the *Clinical Guidance for the Assessment and Implementation of Side Rails* published by the Hospital Bed Safety Workgroup of the U.S. Food and Drug Administration. Further information can be obtained at the following web address: <http://www.fda.gov/MedicalDevices/ProductsandMedicalProcedures/GeneralHospitalDevicesandSupplies/HospitalBeds/default.htm>.

⚠ **Warning: Possible Injury Or Death.** Use a properly sized mattress in order to minimize the gap between the side of mattress and Side Rails/Assist Devices. This gap must be small enough to prevent resident/patient from getting his/her head or neck caught in this location. Make sure that raising or lowering bed, or contouring the mattress support platform, does not create any hazardous gaps. Excessive gaps may result in injury or death.

⚠ **Warning: Possible Injury Or Death.** Residents/patients may become entangled in pendant cord. Patients with reduced mental acuity should not be allowed access to pendant. Unsupervised use of pendant could result in injury or death.

⚠ **Caution:** Before transporting bed, unplug bed from power source, secure Power Cord on cord storage straps on Head Panel and hang Pendant from Head Panel. Failure to do so could result in Power Cord, pendant cord, or bed damage, thereby creating a potential hazard.

⚠ **Caution:** Extend all four sections on each side prior to adjusting bed position or side rails.

⚠ **Warning:** Use Width Extenders only after the resident/patient is safely positioned in the bed. Failure to do so could result in injury.

⚠ Caution: Drainage Bag Loops are not intended for use as tie downs.

⚠ Warning: Possible Injury Or Death. Bed safe working load is 1000 pounds. This is total weight counting resident/patient, mattress, bedding and any other equipment or persons likely to be on bed. Do not exceed 1000-pound safe working load. Exceeding the safe working load could result in property damage, injury or death.

⚠ Warning: Possible Injury Or Death. Do not use any Side Rails/Assist Devices until you verify they are locked in place. Failure to lock assist devices may result in injury or death.

Notice: Make sure the power cord is unplugged from the power outlet prior to disconnecting/connecting any foot panel cables. Failure to ensure bed is not powered when disconnecting/connecting the foot panel cables may result in damage to the bed's electronic controls.

⚠ Warning: Possible Injury Or Death. If using accessories not manufactured, marketed, or provided by Joerns Healthcare for Camtec beds, consult with the manufacturer for compatibility and limitations prior to use. Failure to do so may result in injury or death.

Bed System Entrapment Information

In April 1999, the U.S. Food and Drug Administration (FDA) in partnership with representatives from the hospital and post-acute bed industry, including Joerns Healthcare, national healthcare organizations, resident advocacy groups, and other federal agencies formed the Hospital Bed Safety Workgroup (HBSW). The workgroup's goal is to improve the safety of bed frames for patients and residents in all health care settings who are most vulnerable to the risk of entrapment. The efforts of the FDA and the HBSW culminated in the FDA's release of recommended guidelines intended to reduce the risk of entrapment, including dimensional limits for critical gaps and spaces between bed system components and clinical guidance for assessment and implementation of bed side rails in various health care settings.

Entrapment zones involve the relationship of bed components often directly assembled by the healthcare facility rather than the manufacturer. Therefore, compliance is the responsibility of the facility.

As the leading manufacturer of long-term care beds and a frontrunner in addressing this critical issue, Joerns Healthcare can offer you the expertise, assistance and products to bring your facility into compliance.

Joerns Compliance Solutions

Matching the right bed components in order to meet regulatory guidelines can be complex.

That is why Joerns offers a wide array of compliance options. We assist customers in selecting compliant accessories recommended for their specific bed model.

For More Information

To learn more about compliance options with Joerns products, visit our website at www.joerns.com, or contact our Customer Care reps at 800-826-0270 and ask for free informational publications.

To learn more about entrapment zones, assessment methods and guidelines concerning entrapment, contact Joerns Healthcare at 800-826-0270 or consult the FDA website: <http://www.fda.gov/MedicalDevices/ProductsandMedicalProcedures/GeneralHospitalDevicesandSupplies/HospitalBeds/default.htm>.

Table of Contents

Important Precautions	2
Entrapment Information	3
Introduction.....	4
Specifications	5
Assembly	6
Operation.....	7
Cleaning and Maintenance.....	8
Troubleshooting	9
Customer Maintenance Checklist.....	10
Appendix A.....	12
Accessories: Scale Instructions.....	23
Warranty	26

Introduction

The Joerns Camtec Series RC 1000 Bed has been designed primarily for use in hospitals and other institutions to support patients whose weight exceeds the limit of conventional beds and who may require special positioning. The frame has a long history as the Camtec model 4475-0 supporting care of some of the most challenging patients presented within the care continuum. The unique expandable frame design allows the bed to accommodate support surfaces of up to 54" wide. The bed surface can be adjusted to allow it to pass through a 40" door opening.

The frame is constructed of structural steel. The frames lowest position is approximately 16½" from the floor to the mattress support platform. The frame in the highest position is approximately 29".

The frame is designed to support a safe working load of 1000 lbs. Side rails at the head end are standard. Optionally, the bed can be equipped with foot end side rails and side rail pads. The 45 degree angle setting of the side rails assists in patient ingress and egress.

The trapeze is an available option using a full-frame design purpose built to support bariatric patients for this type of bed and allow convenient adjustability for repositioning. The bed is equipped with (3) locking swivel casters and (1) steering swivel caster to allow for easy bed movement and facilitate bed transport.

The bed contains four electric drive modules, one for the head, one for the knee, one Hi/Lo for the head end and one Hi/Lo for the foot end of the bed. A hand crank is supplied at the head end of the bed that can be used in the event of a power failure.

Specifications

Safe Working Load 1000 lbs
Overall Width 39½" expandable to 56½"
Overall Length 89"
Mattress Support Platform Width: Adjustable 36", 40", 42", 48", and 54"
Length: 80"
Mattress Support Platform Height Lowest position (from floor) 16½"
Highest position 29"

Power Requirements 115 VAC 60Hz 10.5 AMP

Operating Conditions

Ambient Temperature +10°C to +30°C
Relative Humidity 30% to 95% Non-Condensing
Atmospheric Pressure 700 hPa to 1060 hPa

Storage and Shipping Conditions

Ambient Temperature -30°C to +50°C Relative
Humidity 10% to 95%
Atmospheric Pressure 500 hPa to 1060 hPa

Bed Weight with Side Rails, End Boards 610 lbs.

Motor Duty Cycle for Intermittent Operation .. 1 minute ON / 10 minutes OFF

Head Fowler Adjustable up to 70 degrees
Foot/Knee Gatch Adjustable up to 40 degrees

Side Rails Head end are standard, 3 position swing type

Casters Diameter 5" Width 1¼"
(3) total lock and (1) steer lock
Tread Guards... Non-marring

Options Trapeze
Mattress
Foot Extension
Side rails, foot end
Pads or Composite Insert for Side Rails
Integrated Scale

Assembly

Disassembly of the split frame for mobility

⚠ Warning: Lock casters when cleaning, inspecting or performing any maintenance on the bed. Lower all mattress support platform sections unless necessary for service access.

1. When transferring the patient into or out of the bed all four casters should be in the locked position.
2. Disconnect the power cord from the wall outlet. Lock all casters.
3. Remove the footboard from the outward most sockets. If this is a scale model, disconnect the two leads from the bed to the readout.
4. Remove the headboard from the inward most sockets. The power cord may be removed from the power cord hanger as needed.
5. The pendant should remain with the head end of bed. If it becomes necessary to unplug the pendant, squeeze the release levers on either side of the plug, and then gently remove the plug.
6. Disconnect the electrical cables between the two halves at the center point of the frame. A set of red-banded cables and the black cables will be disconnected.
7. Loosen and remove the $\frac{3}{8}$ " and $\frac{1}{2}$ " bolts in both sides of the bed frame (Figure 1). Raise the coupling end of the head end and foot end. Separate the two halves as indicated.
8. Transfer the head and foot end to their new location. Keep the head and foot section matched together per serial number ID labels. Transfer the head board and foot board to their new location.

Assembly of the split frame once in position

9. Place the head and foot end in their approximate position. Note the head and foot sections are to be used with matching serial number ID labels.
10. Raise the coupling end of the head end and foot end (Figure 1). Couple the two halves together as indicated. Install the $\frac{3}{8}$ " and $\frac{1}{2}$ " bolts in both sides of the bed frame. Tighten nuts and bolts with wrenches.
11. Connect the electrical cables between the two halves at the center point of the frame. Plug the red-banded cables into each other and the black cables into each other. Make sure cable plugs are properly seated and locked together.
12. If the pendant is not already attached to the bed, plug the hand pendant into the control module. Make sure the pendant plug is securely fastened in the connector, it should snap in place. Fasten the pendant cord to the frame using the cable clamp provided. If it becomes necessary to unplug the pendant, squeeze the release levers on either side of the plug, then gently remove the plug.
13. Install the headboard posts in the inward most sockets provided at the head end with the board closest to the mattress. The power cord hanger should be on the side away from the mattress.

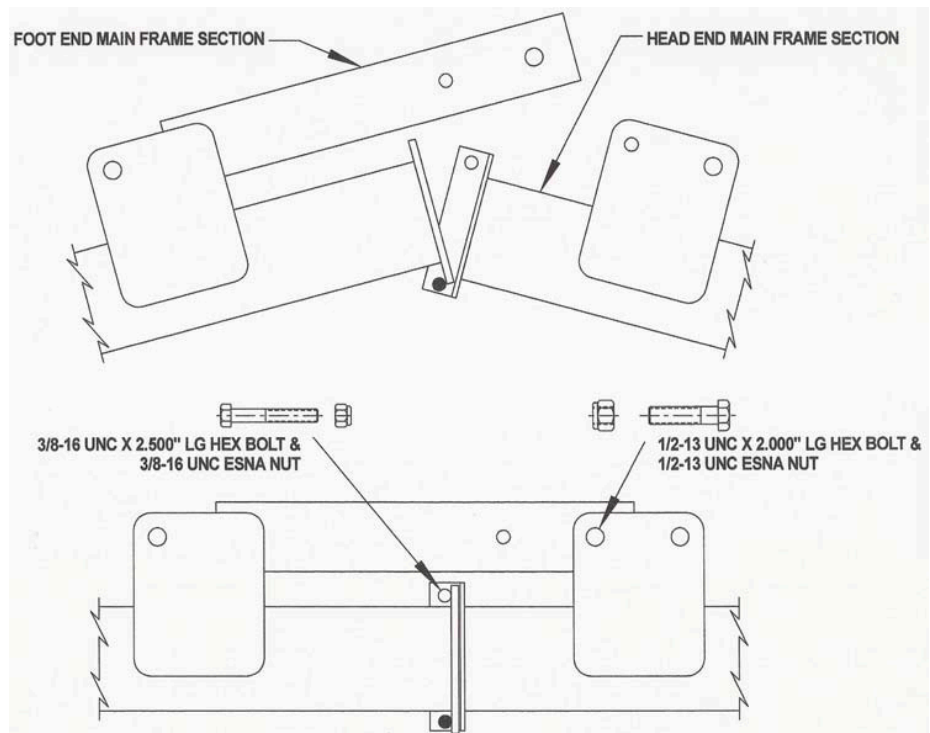


Figure 1

14. Install the footboard posts in the outward most sockets provided at the foot end with the board facing away. If this is a scale model, connect the two leads from the bed to the readout. One cable connector has 6 prongs while the other has 4 prongs. Make sure the cables are connected to the appropriate connectors.
15. Do a careful walk around inspection of the bed to assure that the two main parts are properly assembled and locked into place using the pins supplied. Look under the bed to make sure nothing is stored there. This area must be kept clear to avoid any interference with parts in motion during bed operation.
16. When raising or lowering the bed, the casters at the foot end should be locked and the casters at the head end should be free to move. If the casters are locked at both ends at the same time, when raising or lowering the bed, permanent damage to the bed may result.
17. Plug the power cord into a grounded 115 volt socket having a capacity of at least 15 amps.
18. Using the hand pendant, cycle the bed through all of its operations. Make sure that everyone is clear of the moving parts during these operations.
19. Use this Operation and Maintenance Manual to instruct all personnel who are involved in the use of this model bed.
20. When transferring the patient into or out of the bed all four casters should be in the locked position

Operation

1. When raising or lowering the bed, the casters at the head end should be locked and the casters at the foot end should be in the steer position. If the casters are locked at both ends at the same time, when raising or lowering the bed, damage to the bed may result.
2. Plug the power cord into a grounded 115 volt socket having a capacity of at least 15 amps. Make sure light on control module is illuminated.
3. Using the hand pendant, cycle the bed through all of its operations. Make sure that everyone is clear of the moving parts during these operations.
4. Use this User-Service Manual to instruct all personnel who are involved in the use of this model bed.
5. When transferring the patient into or out of the bed all four casters should be in the locked position.
6. Width section adjustments are made by pulling tether and sliding out extension.

⚠ Caution: Extend all four sections of each side **prior** to adjusting bed position or side rails.

7. Operate side rail pulling the handle at the middle-top of the rail and rotating rail upward to ensure locked in place in up position. The rail can be rotated outward at a 45 degrees for access to the patient or during lateral rotation. The rail can be rotated down for egress from the bed.

Notice: Make sure the power cord is unplugged from the power outlet prior to disconnecting/connecting any foot panel cables. Failure to ensure bed is not powered when disconnecting/connecting the foot panel cables may result in damage to the bed's electronic controls.

Casters

The bed is equipped with (4) locking casters consisting of (3) total lock and (1) steer lock. The steer lock caster is located on the left foot position and will lock the direction of the caster inline (end to end) with the bed when activated. This allows for better control when transporting the bed. For best control the bed should be pushed or pulled from the head end.

Never lock casters at both ends at the same time, when raising or lowering the bed, as permanent damage to the bed may result. All casters should be locked during ingress or egress of patient.

Joerns® Camtec Series Bed Frames RC 1000 Bed

Five Function Hand Pendant Operation

The **HEAD** up and down buttons cause the head of the bed to raise and lower.

The **FOOT** up and down buttons cause the knees and lower portion of the legs (Knee Gatch) to be raised and lowered.

The **BED** up and down buttons cause the height of the bed to raise and lower.

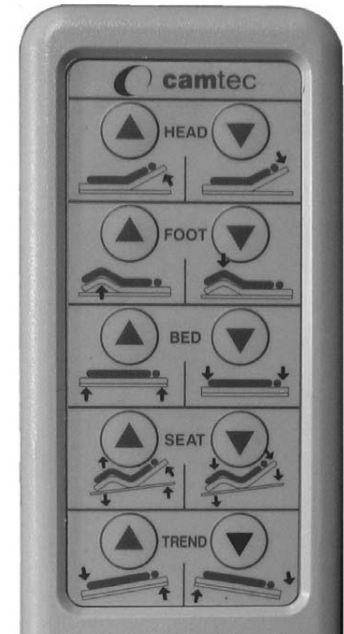
The **SEAT** up button causes the bed to go into a modified cardiac chair position. The head section and head end of the bed will raise, the knee section will raise and the foot end of the bed will lower.

The **SEAT** down button will cause the bed to return to a supine position (CPR Position)

The **TREND** down button will cause the foot end of the bed to raise and the head end to lower with a limiting angle of 12 degrees.

The **TREND** up button will cause the foot end of the bed to go down and the head end of the bed to raise until reaching a limit of 15 degrees.

The bed contains four electric drive modules. A hand crank is also supplied, at the head end of the bed; which can be used to adjust the bed in the case of a power or actuator failure. Disconnect the power before using the crank. The pendant should not be used during hand cranking.



Adjusting the Bed Width

⚠ Caution: Extend all four sections of each side **prior** to adjusting bed position or side rails.

1. Raise the bed to the highest position
2. Pull down on the blue lanyard to disengage the locking pin. A slight inward or outward pressure on the expansion pan may be required for ease in disengaging the locking pin.
3. Move adjustable mattress pan section about 1" in desired direction.
4. Release the blue lanyard.
5. Move adjustable mattress pan section in desired direction until locking pin snaps into locking hole.
6. Repeat this procedure until all adjustable mattress pan sections are at the desired locations.



Cleaning and Maintenance

Cleaning

⚠ Warning: High pressure cleaning or power wash are not to be used on any frame part.

⚠ Warning: Lock casters when cleaning, inspecting or performing any maintenance on the bed. Lower all mattress support platform sections unless necessary for service access.

Before cleaning any portion of the bed, disconnect the power cord from the wall outlet

1. Using standard cleaning procedures, wipe down the frame of the bed. Be sure to wear appropriate protection for the type of materials being used.
2. Use cleaning detergents sparingly around the pendant controller, electronic controller and the motors.

Periodic Inspection and Maintenance
(See Customer Maintenance Check List)

The amount of maintenance required by the bed will be dictated by its use. As a minimum the unit should be periodically inspected every 6 months.

1. After a week or two of usage, check all the bolts to be sure that none of them have worked loose and that all pins are in their normal location and securely fastened. Check all welds.
2. At least once every six months the actuator drive screw should be lubricated using a heavy duty grease such as Drydene #5871 or equivalent.
3. Put light machine oil on all pivot points every 6 months.
4. Check all electrical connections for tightness.
5. Check all electrical wiring for fraying, kinking damage and/or deterioration.

IF ANY DISCREPANCIES ARE NOTED DURING INSPECTION, THEY MUST BE CORRECTED BEFORE CONTINUED USE OF THE BED.

Joerns Healthcare Technical Support can provide additional assistance to repair or troubleshoot any problems.

Major service and repair must only be performed by authorized Joerns Healthcare Technical Support, which you may contact at 800.966.6662.

Troubleshooting

Problem	Possible Cause	Solution
No functions operate	No power to unit	Check that the power cord is plugged into receptacle and light on control module is illuminated. Check for cord breaks
Power light does not light	Electrical cords not properly plugged into control module	Check all electrical cords and connections.
Power light is on but no functions operate	Bad pendant	Replace pendant
	Bad control module	Replace control module
Three motors operate "OK" One motor will not operate	Bad pendant	Isolate the Problem Interchange motor connections on control module. Swap connections on the module so that problem motor is plugged into a motor connection on the module that is working. If the problem motor now operates and the motor that was OK now does not operate, it indicates either the control module or the pendant is faulty. Replace as required.
	Bad control module	
	Bad motor	
	Bad wiring	
If the above does not resolve the problems, call Joerns Healthcare Technical Support at 800.966.6662. Have the serial number of the bed and make the phone call from as close to the bed as practical.		

**Joerns® Camtec Series Bed Frames
RC 1000 Bed**

Customer Maintenance Check List

S/N Bed _____ S/N Controller _____

Bed Model _____ Date _____

				Initial	Date
1	Verify what options are on the bed:				
	Foot End Side Rails	<input type="checkbox"/>	Scale	<input type="checkbox"/>	
	Head End Side Rails	<input type="checkbox"/>	Trapeze	<input type="checkbox"/>	
	Pads (If Applicable)	<input type="checkbox"/>	I.V. Pole	<input type="checkbox"/>	
	Other _____				
2	Verify and record the S/N				
3	Check Head Section operation with pendant				
4	Check Knee Gatch operation with pendant				
5	Check the Bed Elevation operation with pendant				
6	Check the Trendelenburg operation with pendant (If Applicable)				
7	Check the Seat operation with the pendant (If Applicable)				
8	Check casters function: Steer _____ Total _____				
9	Inspect the hardware to ensure that components are fit securely				
10	Check to ensure that the Electrical components are secure				
11	Check Power Cord for the following:				
	A: Check all strain reliefs and cable clamps are secure				
	B: Check for worn areas, cuts or frays				
	C: Check plug for bent or loose prongs				
12	Check that Pendant cord has no damage and that it is secured properly to the control box				
13	Check to ensure that all decals are affixed at proper location				
	Head, Foot and Motor decals				
	Power and Control Cord on Head Board				
	Power and Control on the Control Box				
14	Check the presence and fit of the Mattress Stop				
15	Check the presence, fit and operation of the Emergency Crank				
16	Check the operations of all accessory options noted in #1 above				
17	Check to ensure that the side rails function properly and lock in place				
18	Measure and record the Leakage Current value should be less than 250 microamperes (UL 60601-1) Use Calibrated Model LT544D-20 Digital Safety Analyzer or equivalent				
	Measured Value _____				
19	Measure and record Line Grounding Resistance. Value should read equal to or less than 0.1 OHMS as measured between the ground wire in the line cord and the bed frame.				
	Measured Value _____				
20	Visually inspect the bed for paint or assembly defects; touch up as needed				
21	Check the Top Expansion (If Applicable) of the Mattress during operation at:				
	Head Section Right _____ Left _____				
	Center Section Right _____ Left _____				
	Upper Knee Gatch Right _____ Left _____				
	Lower Knee Gatch Right _____ Left _____				

Customer Maintenance Check List Continued...

	Initial	Date
22 Lubricate all pivot points with a light machine oil. (This should be done approx. every 6 months)		
23 Lubricate the actuator drive screws using a heavy duty grease such as Drydene #5871 or equivalent. (This should be done approx. every 6 months)		
24 If bed is a Scale Bed, check that the scale functions are operating properly (if applicable)		
25 Check that all scale/exit alarm connections are secure (if applicable)		
26 Test bed exit alarm (if applicable)		

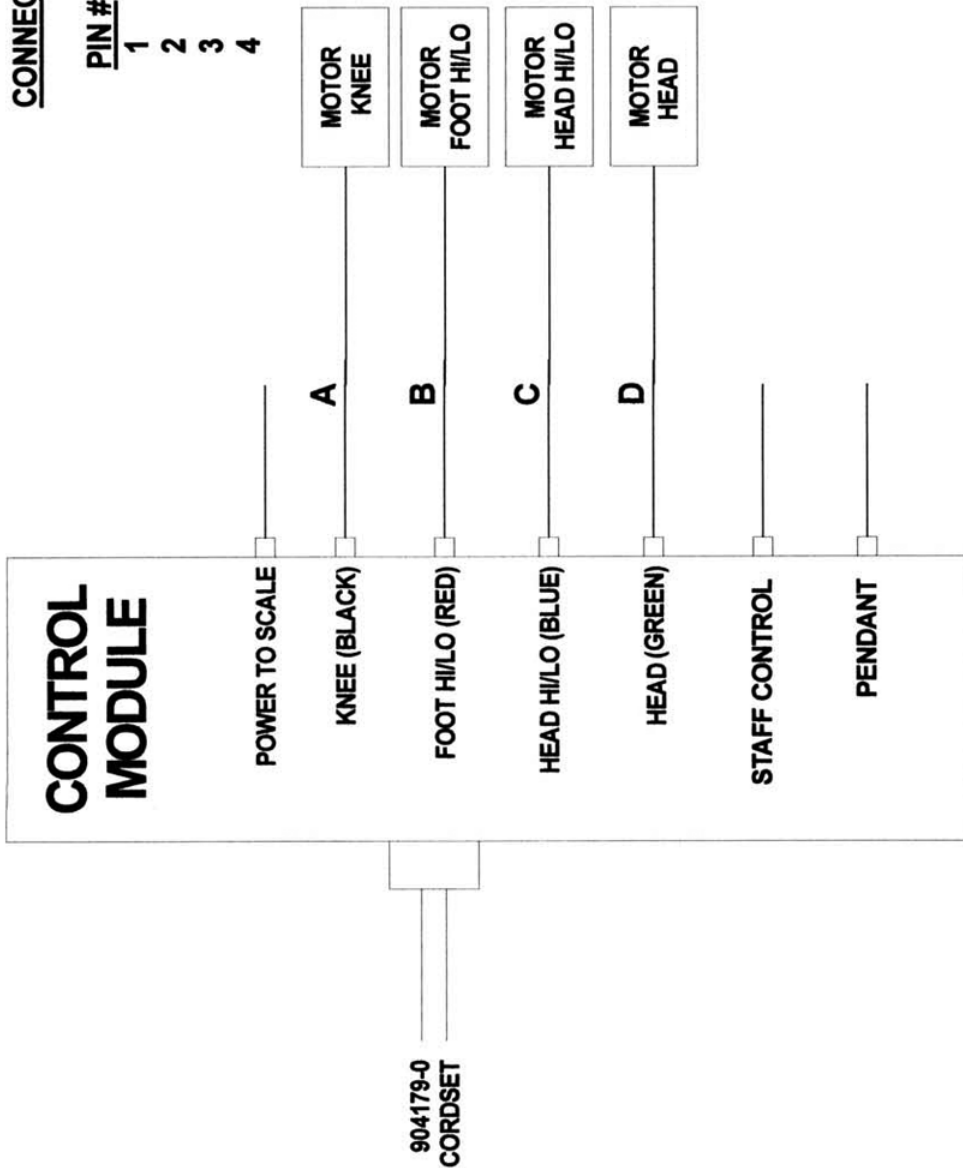
Comments

Inspector Signature _____ Date _____

Appendix A - Wiring Diagram

CONNECTOR PIN CONNECTIONS

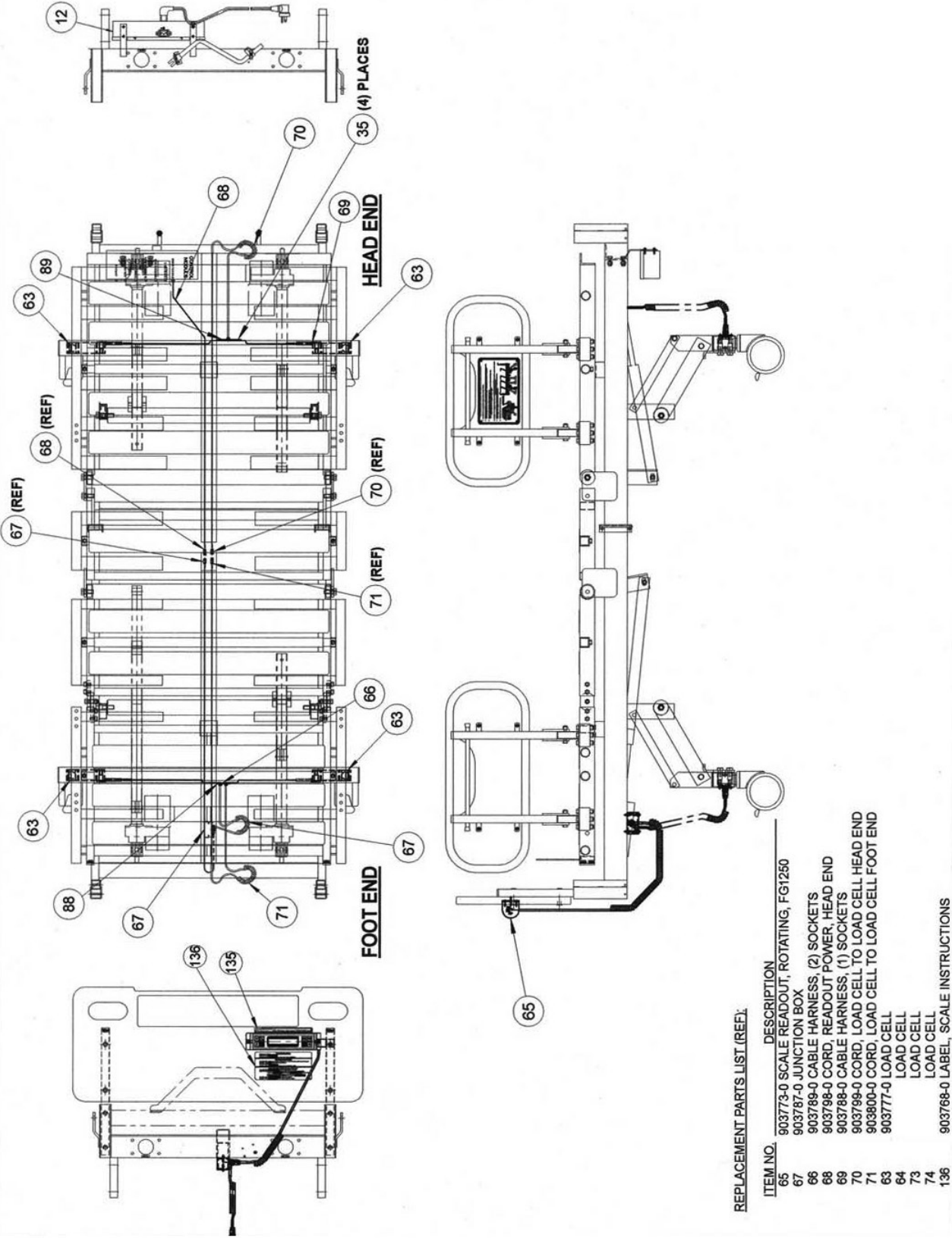
<u>PIN #</u>	<u>WIRE COLOR</u>
1	WHITE
2	GREEN
3	BLACK
4	RED



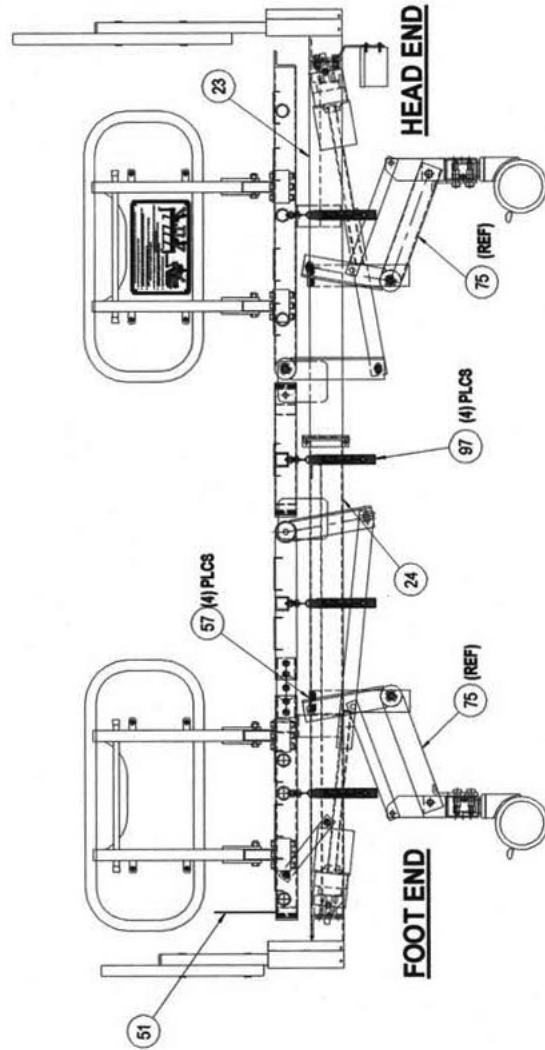
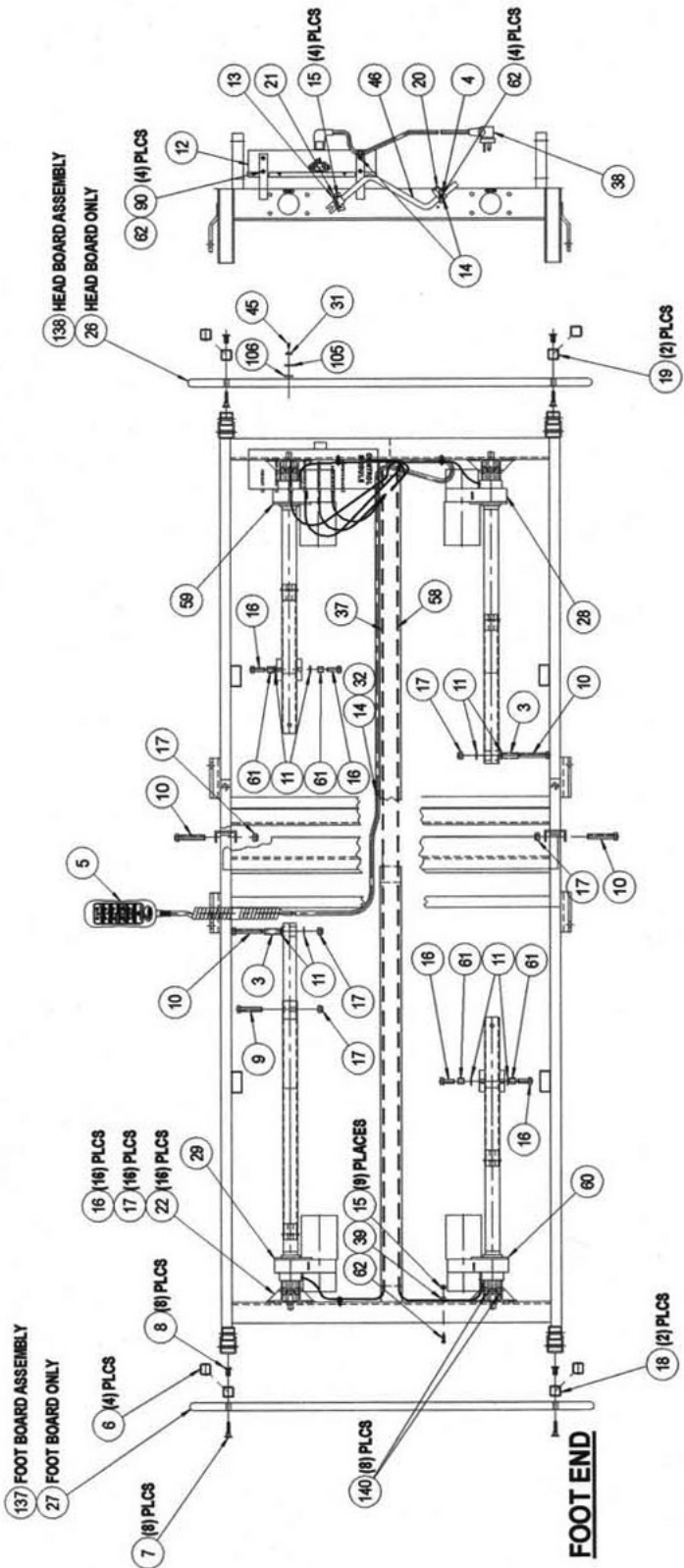
LEADS:

- A = 904305-0 ACTUATOR ASSEMBLY, KNEE GATCH
- B = 904304-0 ACTUATOR ASSEMBLY, HI-LO FOOT
- C = 904302-0 ACTUATOR ASSEMBLY, HI-LO HEAD
- D = 904303-0 ACTUATOR ASSEMBLY, HEAD

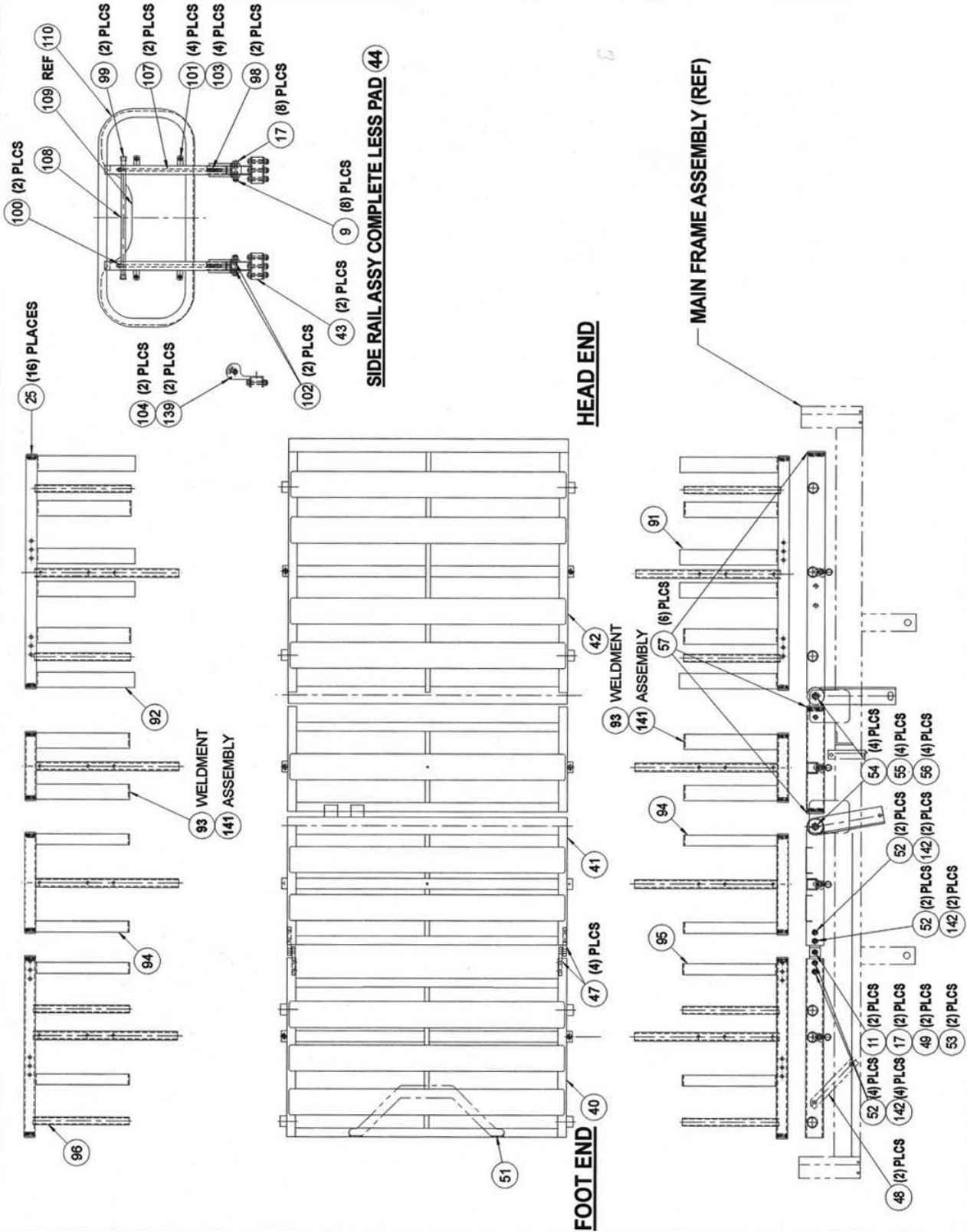
Appendix A - Scale System Assembly



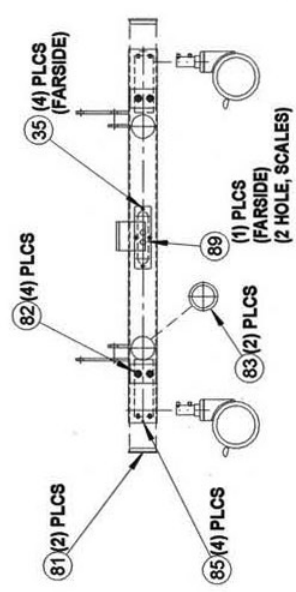
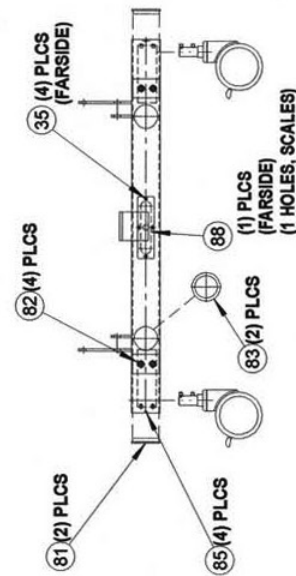
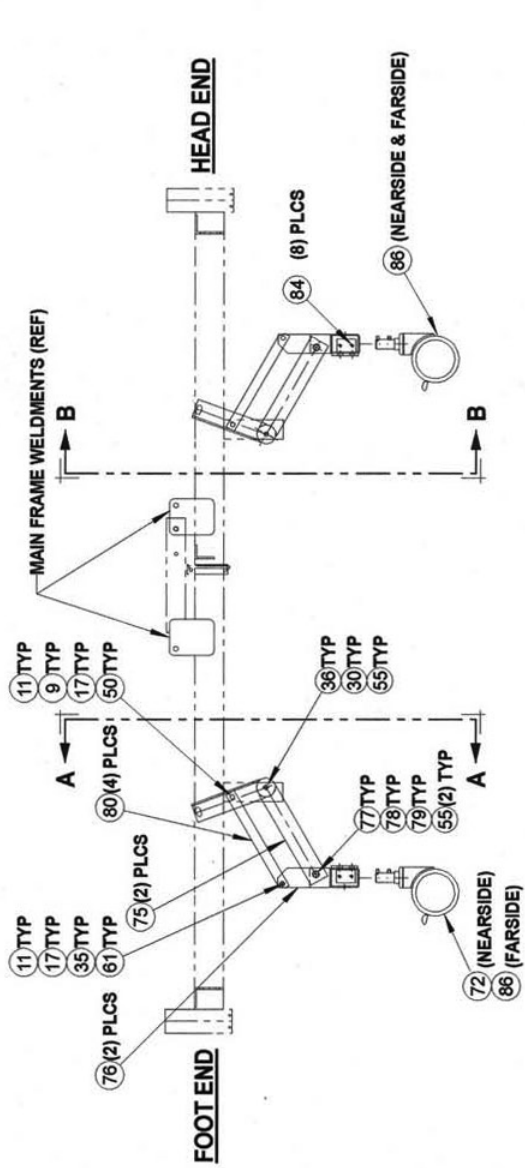
Appendix A - Main Frame Assembly



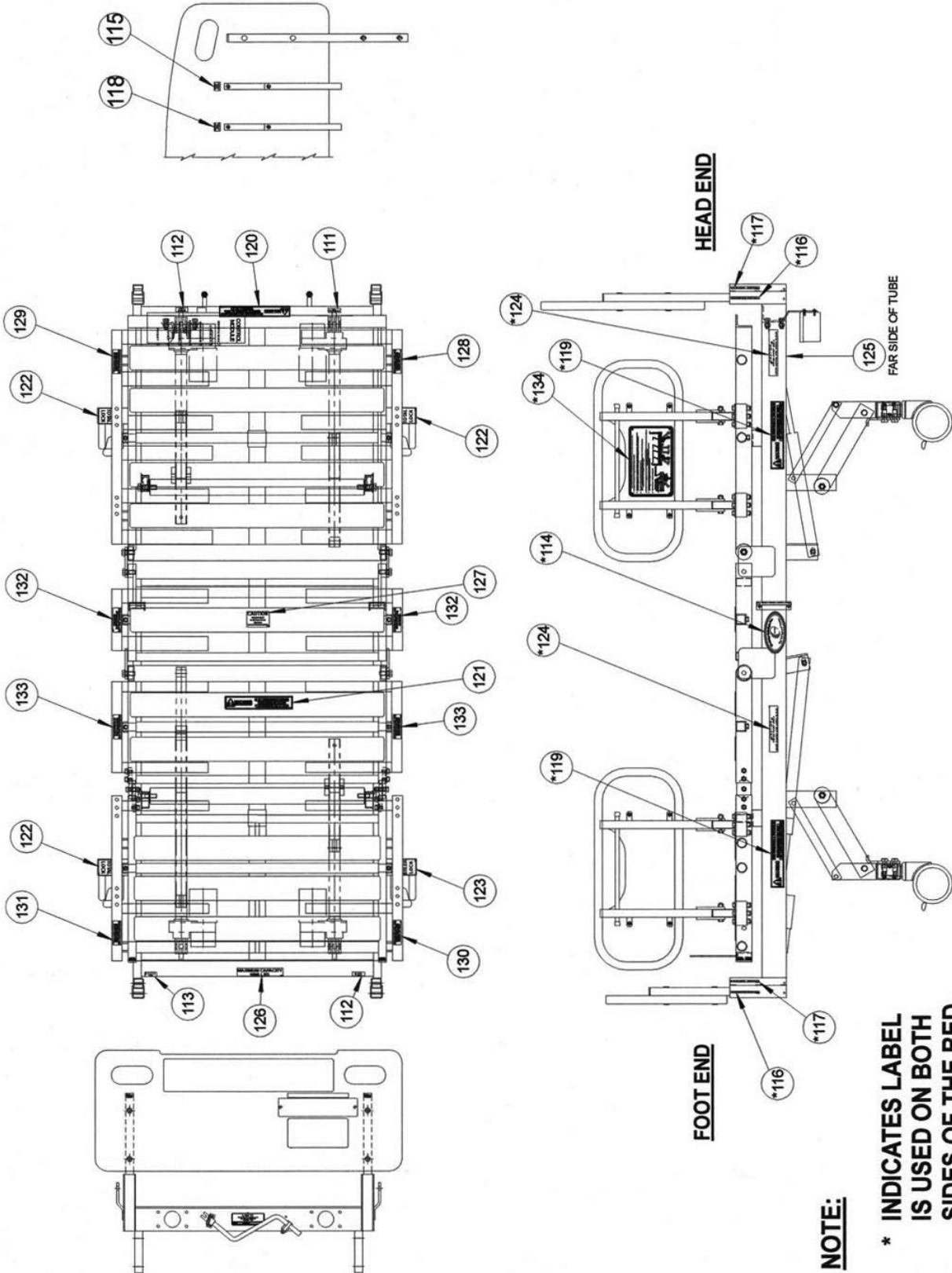
Appendix A - Mattress Support Assembly



Appendix A - Caster Base Assembly



Appendix A - Label Location



Appendix A - Labels Used on Bed

ITEM NO.	P/N	DESCRIPTION	LABEL
111	903477-0	LABEL, HEAD	
112	903478-0	LABEL, BED	
113	903479-0	LABEL, FOOT	
114	903482-0	LABEL, CAMTEC LOGO CAREGIVERS	
115	903489-0	LABEL, POWER CORD HANGER	
116	903490-0	LABEL, END BOARD SOCKET	
117	903491-0	LABEL, TRAPEZE SOCKET	
118	903500-0	LABEL, PENDANT CORD HANGER	
119	903502-0	LABEL, WARNING KEEP FEET	
120	903505-0	LABEL, IN CASE OF POWER FAILURE	
121	903507-0	LABEL, 2" GAP	
122	903503-0	LABEL, CASTER CAP, TOTAL LOCK	
123	903504-0	LABEL, CASTER CAP, STEER LOCK	
124	903476-0	LABEL, CAUTION PINCH AREA	
125			
126	903484-0	LABEL, MAX. 1000 LBS	
127	903488-0	LABEL, CAUTION DISCONNECT PLUG	
128	904444-0	LABEL, SLIDE ID, RC760,RC1000 LEFT HEAD	
129	904445-0	LABEL, SLIDE ID, RC760,RC1000 RIGHT HEAD	
130	904446-0	LABEL, SLIDE ID, RC760,RC1000 LEFT FOOT	
131	904447-0	LABEL, SLIDE ID, RC760,RC1000 RIGHT FOOT	
132	904448-0	LABEL, SLIDE ID, RC760,RC1000 MID SECTION	
133	904449-0	LABEL, SLIDE ID, RC760,RC1000 UPPER KNEE GATCH	
134	903910-0	LABEL, BED ADJUSTMENT INSTRUCTIONS, 4476 BED	
135	903483-0	LABEL, DO NOT PRESS	
136	903768-0	LABEL, SCALE INSTRUCTIONS	

Appendix A - Parts List

Item	Part No.	Description
1	106668-1GY	Cover Plate
2		
3	106141-0	Spacer, ½ x 1½
4	903172-0	Spring Clip
5	903950-0	Pendant, 10 Button
6	900653-0	Cap Plug
7	903637-0	Head Board Bolt, ¼-20 x 30mm
8	903165-0	Head Board Nut, ¼-20 x 17mm
9	902512-0	Bolt, Hex, ⅜-16 x 2" LG
10	903118-0	Bolt, Hex, ⅜-16 x 2½" LG.
11	900419-0	Washer, Nylon, ½ x ¾ x 1/16
12	904009-0	Controller, W/Molex Connectors, 5 Function
13	903174-0	Grommet, ¾ x 1⅛, Rubber
14	901061-0	Screw, #10-32 x ½, Round Head Phillips, S/S
15	900094-0	Nut, Hex, #10-32, Elastic Lock
16	902513-0	Bolt, Hex, ⅜-16 x 1" LG
17	902518-0	Nut, Hex, ⅜-16, Elastic Lock
18	300591-0	Assembly, Foot Board Support
19	300592-0	Assembly, Head Board Support
20	106167-0	Emergency Crank Clamp Bracket
21	106166-0	Emergency Crank Bracket
22	903924-0	Casting, Actuator Mounting
23	24006630GY	Main Frame, Head End (Old Part Number: 203386-0)
24	24006631GY	Main Frame, Foot End (Old Part Number: 203381-0)
25	903458-0	Caplug, 1¼" SQ
26	904312-0	Head Board
27	904309-0	Foot Board
28	903811-0	Fowler Actuator
29	903802-0	Knee Gatch Actuator
30	903154-0	Bolt, Hex, ½-13 x 2" LG
31	903175-0	Washer, Finish, #8
32		
33		
34		
35	900328-0	Screw #10-32 x ¼ Pan Head Phillips SS
36	903152-0	Bushing, ⅝ x 1⅛
37	903810-0	Cable, Knee Gatch Motor, Split to Controller
38	904179-0	Cordset
39	903180-0	Cable Clamp, 5/16 Nylon
40	203060-0GY	Weldment, Lower Knee Gatch
41	203057-0GY	Weldment, Upper Knee Gatch

Appendix A - Parts List

Item	Part No.	Description
42	203050-0GY	Weldment, Fowler
43	903923-0	Casting, Side Rail, Pivot
44	300309-0	Assembly, Side Rail, Wing Type
45	903176-0	Screw #8 x 1/2" LG Oval Head Phillips, SS
46	203204-1RD	Weldment, Emergency Crank, Red
47	903925-0	Casting, Hinge Half
48	104574-0GY	Knee Gatch Connector Link
49	106071-0	Spacer, 0.937" LG
50	106111-0	Spacer, 1 5/16" LG
51	107170-0-GY	Mattress Stop Flat, Flip-Up
52	900129-0	3/8" Lock Washer, HELICAL
53	902514-0	Bolt, Hex, 3/8-16 x 1 1/2
54	106072-0	Spacer, 0.625 OD x 0.343 LG
55	903173-0	Washer, Nylon, 5/8 x 1 1/8 x 1/16
56	903115-0	Bolt, Hex, 1/2-13 x 1 1/4
57	900658-0	Cap Plug, 1 x 2
58	903809-0	Cable, Hi Lo Foot End Motor, Split to Control Box
59	903812-0	Hi Lo Head End Actuator
60	903803-0	Hi Lo Foot End Actuator
61	104592-0	Spacer, 1/2" x 9/16"
62	901007-0	Screw, 10-32 x 5/8 Round Head Phillips SS
63	903777-0	Load Cell
64		
65	903773-0	Scale Readout, Rotating
66	903789-0	Cable Harness, Spread Base, (2) Sockets
67	903787-0	Junction Box, Spread Base
68	903798-0	Cord, Readout Power, Head End
69	903788-0	Cable Harness, Spread Base (1) Socket
70	903799-0	Cord, Load Cell to Load Cell Head End
71	903800-0	Cord, Load Cell to Load Cell Foot End
72	903938-0	Caster, Steer Lock
73		
74		
75	24006637GY	Weldment, Leg Link (Old Part Number: 203390-0)
76	24006642GY	Weldment, Axle, 4475 Bed (Old Part Number: 203379-0)
77	900411-0	Nut, Hex, 1/2-13 Elastic Lock
78	904369-0	Bushing, 1/2" x 5/8" x 7/8" LG
79	903155-0	Bolt, Hex, 1/2-13 x 2 1/2"
80	104575-0GY	Leg Connector Link
81	901237-0	Cap 2" x 3"
82	901233-0	Shoulder Bolt, Load Cell 1/2" DIA 1.250" Long

Appendix A - Parts List

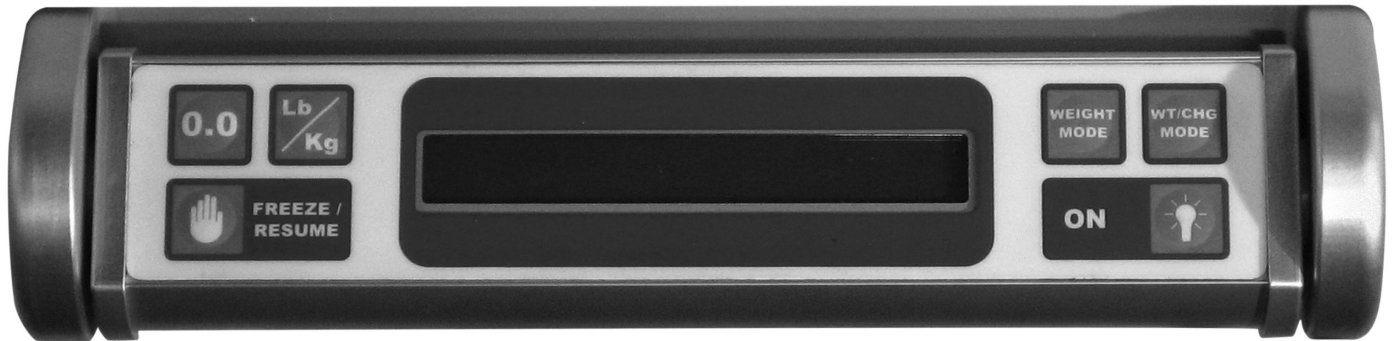
Item	Part No.	Description
83	903234-0	Plug, 2½" DIA Hole
84	903235-0	Socket Set Screw, 5/16-18 x ¾"
85	903194-0	Screw #6 x ¾" SS Phillips
86	903937-0	Caster, Total Lock
87		
88	106668-2GY	Mounting Plate, Scales, 2 Holes
89	106668-0GY	Mounting Plate, Scales, 1 Hole
90	900171-0	Washer, Lock, #10 Internal Tooth
91	203350-0GY	Weldment, Side Rail Support, LH Fowler
92	203351-0GY	Weldment, Side Rail, Support, RH Fowler
93	203352-0GY	Weldment, Mattress Support, Mid Section
94	203353-0GY	Weldment, Mattress Support, Upper Knee Gatch
95	203354-0GY	Weldment, Side Rail Support, LH Lower Knee Gatch
96	203355-0GY	Weldment, Side Rail Support, RH Lower Knee Gatch
97	300587-0	Assembly, Adjustable Side Rail Release Plunger
98	904342-0	Spring, Compression
99	904343-0	Caplug, COF ½"
100	900016-0	Nut, Hex, ¼"-20 Elastic Lock
101	900258-S	Washer, Lock, ¼" Split, SS
102	900991-0	Washer, Nylon, ¾" x ¾" x 1/16"
103	901071-0	Screw, ¼"-20 x ¾" LG Pan Head Phillips SS
104	902014-0	Spring Pin, ¼" DIA x 1½" LG
105	106459-0	Strap, Cord Hanger, Velcro Loop
106	106460-0	Strap, Cord Hanger, Velcro Hook
107	203650-0GY	Weldment, Side Rail Lock Pin
108	104636-1GY	Side Rail Release Rod
109	404003-4	Assembly, Side Rail Cushion, D-P Navy
109	904450-0	Board, Side Rail Cushion Replacement (Composite)
110	203006-1GY	Weldment, Side Rail Foot End
111	903477-0	Label, Head
112	903478-0	Label, Bed
113	903479-0	Label, Foot
114	903482-0	Label, Camtec Logo Caregivers
115	903489-0	Label, Power Cord Hanger
116	903490-0	Label, End Board Socket
117	903491-0	Label, Trapeze Socket
118	903500-0	Label, Pendant Cord Hanger
119	903502-0	Label, Warning Keep Feet
120	903505-0	Label, In Case of Power Failure
121	903507-0	Label, 2" Gap
122	903503-0	Label, Caster Cap, Total Lock

Appendix A - Parts List

Item	Part No.	Description
123	903504-0	Label, Caster Cap, Steer Lock
124	903476-0	Label, Caution Pinch Area
125		
126	903484-0	Label, Max. 1000 lbs
127	903488-0	Label, Caution Disconnect Plug
128	904444-0	Label, Slide ID, RC750, RC1000 Left Head
129	904445-0	Label, Slide ID, RC750, RC1000 Right Hand
130	904446-0	Label, Slide ID, RC750, RC1000 Left Foot
131	904447-0	Label, Slide ID, RC750, RC1000 Right Foot
132	904448-0	Label, Slide ID, RC750, RC1000 Mid Section
133	904449-0	Label, Slide ID, RC750, RC1000 Upper Knee Gatch
134	903909-0	Label, Bed Adjustment Instructions, 4475 Bed
135	903483-0	Label, Do Not Press
136	903768-0	Label, Scale Instructions
137	300328-0	Foot Board Assembly, Scales Plastic
138	300242-0	Head Board Assembly, Plastic
139	12470022	TIP, ¼" Rod, Caplug (Old Part Number: 900100-0)
140	903605-0	Washer, Rubber, ½" Screw Size
141	300660-0	Assembly, Mattress Support, Mid Section
142	904072-0	Bolt, Hex ¾-16 x 5/8" LG.

Accessories FG1250 Base Scale

FG1250 Basic Operational Flow



Initializing System Zero

Note: When power is first applied to the system, the display will read **“AC POWER LOST! - REFER TO MANUAL”**. This indicates that there was an interruption in power and to check the patient weight. To reset the system, press the **“FREEZE/RESUME”** button.

Before patient is placed on to the bed, you must first set the system zero. This is done as follows:



Sets the initial system zero reference.

1. Press and hold the **“0.0”** button. The displayed message will indicate **“HOLD TO ZERO”** as the digit to the right counts down.
2. When the message changes to **“PLEASE WAIT - HANDS OFF”**, release the button and do not touch the bed. In a few seconds the display will indicate **“WEIGHT = 000.0 LB”** The patient may now be placed on the bed.

Important: When the **“0.0”** button is pressed, everything on the weighing surface will be zeroed out on the display. Make sure that all linens, pillows, etc., are in place before pressing the **“0.0”** button so that they will not appear as part of the patient’s weight.

Button Functions



After the patient has been placed on the bed, simply press and release the **“ON”** button. The displayed message will read: **“PLEASE WAIT - HANDS OFF”**. Do not touch the bed. After a few seconds the patient’s weight will be displayed.



The **WEIGHT CHANGE** mode is used to monitor the patient’s weight relative to zero.

1. Press the **“WT CHG”** button. The display will read **“WT CHG = (patient weight)”**.
2. Press the **“0.0”** button to set the relative zero.

Any variation in weight will now be viewed as a **“+”** or **“–”** figure relative to zero. Pressing the **“WEIGHT”** button will switch back to the **WEIGHT MODE** allowing you to view the patient’s total weight again.

Note: When you reset the system zero, the **WEIGHT CHANGE MODE** will also be reset to zero.

Joerns® Camtec Series Bed Frames RC 1000 Bed



This feature will allow you to make adjustments to the bed without effecting the displayed patient weight.

1. Press the "**FREEZE/RESUME**" button. The display will read: "**FREEZE = (patient weight)**".
2. Make all necessary adjustments to the bed.

While in the **FREEZE** mode, the "**WEIGHT**" and "**WT/CHG**" keys will allow you to manually adjust the displayed weight reading in the event of a know error. Simply press the "**WEIGHT**" and "**WT/CHG**" keys to make the proper corrections.

Note: If **FREEZE** mode is left unattended for more than three minutes, display will read "**LEFT IN FREEZE - REFER TO MANUAL**". You must press the "**FREEZE/RESUME**" button to exit this mode.



Toggles between POUNDS and KILOGRAMS display modes.

Moving Bed and Patient

If it becomes necessary to move the bed and/or patient while the scale system is active, use the following procedure:



1. Press the "**FREEZE/RESUME**" button. The display will read: "**FREEZE = (patient weight)**".
2. Make all necessary adjustments to bed and/or patient.
3. Press the "**FREEZE/RESUME**" button once again to resume normal weight monitoring.

Loss of Power

If it becomes necessary to disconnect the bed power while the scale is in use:

1. Note the displayed patient weight before disconnecting the power.
2. Unplug the bed and move bed and patient to the new location.
3. When the patient is settled restore the power to the bed.
4. Press the "**FREEZE/RESUME**" button to WAKE-UP the readout. If the weight reading is correct, the system is ready.
5. If the displayed reading is not correct:
 - a. Press the "**FREEZE/RESUME**" button. The display will read "**HOLD (weight)**".
 - b. Use the "**WEIGHT**" and "**WT/CHG**" keys to ramp the displayed value to the correct weight.
 - c. When done, press the "**FREEZE/RESUME**" button once again to save the correction and exit to the normal weighing mode. If you make a mistake, press "**ON**" to about your changes.

Important: If you do not know the correct patient weight, you must remove the patient from the bed and re-zero the system.

System Calibration and Maintenance

Important: The following calibration procedure should only be performed by qualified service personnel. The 1228 load cell, itself, has no user serviceable components and should not be tampered with for any reason.

Recalibration is generally not required, but should be checked periodically to ensure accuracy.

Calibration Procedure



1. Press the “**FREEZE/RESUME**” button to enter the **FREEZE MODE**.



2. When the display indicated “**FREEZE = (weight)**”, press and hold the “**LB/KG**” button. The display will read “**CAL**” as the right hand digit counts down to enter the **CAL MODE**.



3. When in the **CAL MODE**, press the “**0.0**” button to zero the display.



4. Place a known weight on to the weighing surface and compare it to the displayed reading.



5. Use the “**WEIGHT**” and “**WT/CHG**” keys to make any necessary adjustments to the displayed value. The displayed value should be within 0.1% of the calibrated weight plus or minus 1 digit of reading.



6. Press the “**FREEZE/RESUME**” to save changes or “**ON**” to abort changes.

Calibration Tolerance Table

Low Limit	Applied Load	High Limit
99.9	100.0	100.1
199.8	200.0	200.2
299.7	300.0	300.0
399.6	400.0	400.4
499.5	500.0	500.5
599.4	600.0	600.6
699.3	700.0	700.7
799.2	800.0	800.8
899.1	900.0	900.9
999.0	1000.0	1001.0

Cleaning and Disinfecting

The readout and transducer for the 1228 Scale System are made of aluminum and steel with a painted surface. You need only exercise caution when cleaning the display window as this is made of clear polyester. We recommend mild soap and water for general cleaning.



Joerns Healthcare Warranty Program

for Joerns® RC 1000 Bed, Model RC1000

Joerns RC 1000 Beds, Model RC1000, are guaranteed for a period of one year from the date of delivery, against defects in materials and workmanship, under normal use and service.

This one-year warranty includes all mechanical and electrical components.

Steel structural components on beds are covered under warranty for a period of five years from the date of delivery.

Welds are covered under warranty for the lifetime¹ of the product.

Damage caused by use in unsuitable environmental conditions, abuse or failure to maintain the product in accordance with user and service instructions is not covered.

Any alteration, modification, or repair unless performed by or authorized in writing by Joerns Healthcare, will void this warranty.

Parts

Joerns beds contain various parts that wear from normal use. These parts are not covered under the stated warranty but are covered for 90 days after date of delivery.

¹ Weld lifetime defined as 15 years.

Joerns Healthcare's obligation under this warranty is limited to supplying replacement parts, servicing or replacing, at its option, any product which is found by Joerns Healthcare to be defective.

Warranty replacement parts are covered by the terms of this warranty until the product's original stated warranty period expires.

When requested by Joerns Healthcare, parts must be returned for inspection at the customer's expense. Credit will be issued only after inspection.

Service

Most service requests can be handled by the facility Maintenance Department with assistance from the Joerns Healthcare Product Service Department.

Most parts requested can be shipped next day air at the customer's expense.

Should a technician be required, one will be provided by Joerns Healthcare, at our discretion. Only the Joerns Healthcare Product Service Department can dispatch authorized technicians.

This warranty is extended to the original purchaser of the equipment.

Manufactured by:

Joerns Healthcare
2100 Design Rd.
Arlington, TX 76014

Post Acute, Acute, HomeCare
2430 Whitehall Park Dr. Ste 100
Charlotte, NC 28273
(P) 800.826.0270
(F) 800.457.8827

VA/Government
19748 Dearborn Street
Chatsworth, CA 91311
(P) 800.966.6662
(F) 800.232.9796

Canadian Office
4056 Meadowbrook Drive, Unite #148
London, ON Canada N6L 1E5
(P) 866.546.1151
(F) 519.451.8662

**United Kingdom and
Other Countries**
+44 (0)844 811 1156
+44 (0)844 811 1157

Netherlands
+31 (0)30 6363700
+31 (0)30 6363799