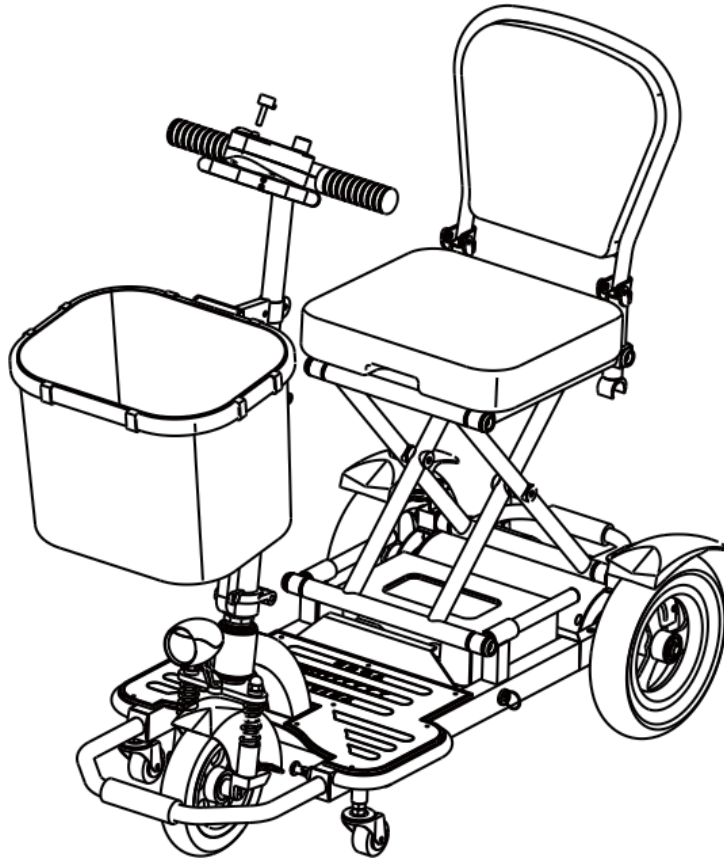


TRIAXE

CRUZE



Enhance Your Life

Thank you for choosing the TRIAXE CRUZE Folding Scooter. Please read this manual carefully before operating the TRIAXE CRUZE.

This manual covers the TRIAXE CRUZE's characteristics, components, functions, safety guidelines, battery, and maintenance.



The following symbol is used in this manual to indicate warning. It is extremely important you fully understand the content. Failure to note the warnings may cause personal injury and/or damage the scooter.

Please note all information and photos in this manual are for reference only and are subject to factory changes and modifications. Before using your TRIAXE CRUZE Scooter please be sure that the delivery is complete. Your TRIAXE CRUZE package should include battery, key (2), battery charger and soft sided basket. If you did not receive a complete delivery, contact your authorized TRIAXE dealer. If damage has occurred to the packaging or contents during transport, contact the delivery company immediately.

Contents

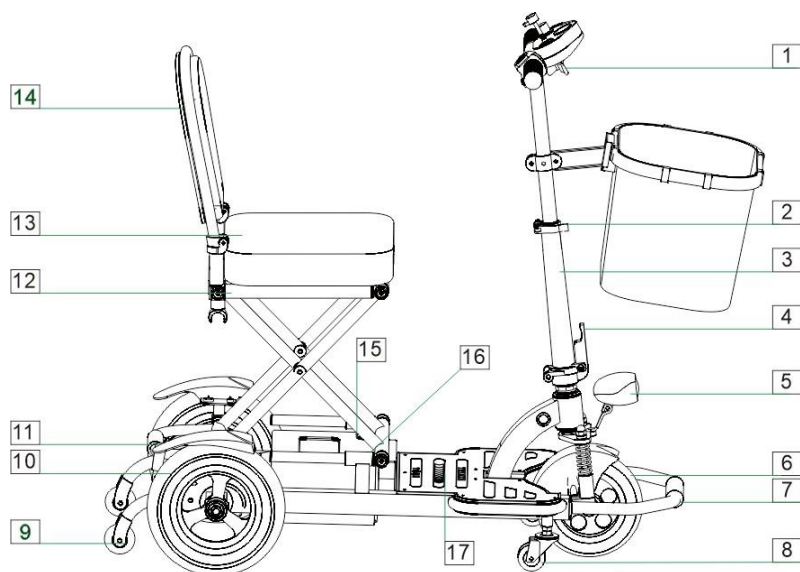
1. TRIAXE CRUZE Feature Guide
2. Product Specifications
3. Key Components
4. TRIAXE CRUZE Operating Instructions
5. Folding and Unfolding the TRIAXE CRUZE
6. Safety Requirements
7. Battery & Battery Charging
8. Care & Maintenance
9. Basic Trouble Shooting
10. Basic Warranty Information
11. In Home Warranty Information



Children should not operate the Electric Scooter. People with health concerns should consult a physician before use.

1. TRIAXE CRUZE Feature Guide

The TRIAXE CRUZE is composed of the following parts: handlebar controls, rear tires, front wheel, anti-tip wheels, bumper, tiller, tiller lock lever, foldable seat, seat supporting frame, footboard, battery, charger port, headlight, bumper/pull handle.



- | | |
|--------------------------|---------------------------|
| 1. Handlebar Controls | 10. Rear Tires |
| 2. Release Lever | 11. Free Wheel Lever |
| 3. Handlebar Tube | 12. Seat Folding Release |
| 4. Tiller Lock Lever | 13. Cushioned Seat |
| 5. Headlight | 14. Back Rest |
| 6. Front Tire | 15. Battery Charging Port |
| 7. Bumper/Pull Handle | 16. Battery On/Off Switch |
| 8. Anti-Tip Front Wheels | 17. Foot Board |
| 9. Anti-Tip Rear Wheels | |

2. TRIAXE CRUZE Specifications

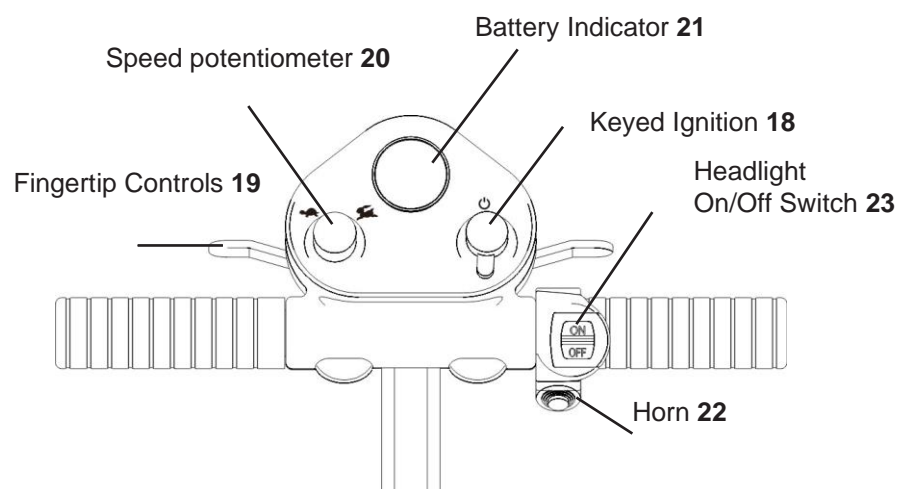
Model	TRIAXE CRUZE T3055
Overall Length	39"
Overall Width	19.5"
Tires	8" solid front tire 9.5" Solid Rear tire
Maximum Speed	Up to 6 mph
Range	Up to 18 miles
Turning Radius	30"
Weight (without battery pack)	58 lbs
Color	Fiery Red, Reflex Blue
Brake	Electromagnetic Brake System
Drive system	Rear Wheel Drive, Brushed Motor
Handlebar	Aluminum with Rubber Hand Grips
Maximum weight capacity	Up to 350 lbs
Seat Width	18" standard
Seat Height (from the ground)	23"
Battery	24V 12AH
Motor	24V - 180W
Battery Charger	24V - 2AH
Folding length	39"
Folding height	20"
Max weight part(motor)	13 lbs
obstacle height	1.6"
Horizontal road braking	65"
Max safety slope braking	81" (6°)
Static stability	≥9°
Dynamic stability	≥6°
Climbing ability	≥6°
Slope holding performance	9°

The scooters comply with the following criteria
a) Static strength, impact strength and endurance strength requirement and testing method. (ISO 7176-8)

- b) Power wheelchair dynamical and control system requirement and testing method. (ISO 7176-14)
- c) Power wheelchair climatic experimental method. (ISO 7176-9)
- d) cushion fire resistance requirement and testing method. (ISO 7176-16)

3. Key Components

Handlebar Controls



The Handlebar Control consists of a keyed ignition **18**, fingertip controls **19**, speed potentiometer **20**, Battery Indicator **21**, horn **22** and headlight on/off switch **23**.



Be sure protect the TRIAXE CRUZE Handlebar Controls from humidity and water. If the handlebar controls have been affected by moisture, be sure to dry before operation.



Always slow down when turning or operating in reverse.

4. Operating Instructions

Turning on the Power (18)

Turn battery switch to on position.
Press down the key to power on, pull out to turn off.
Please Note:

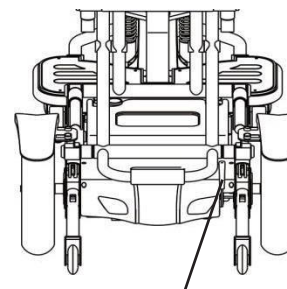
1. The TRIAXE CRUZE will not move if the Free Wheel Lever is engaged. (11)
2. The Safety Anti Tip Rear Wheels Need to be in the Down Position on both sides when driving the scooter.

Free Wheel Lever (11)

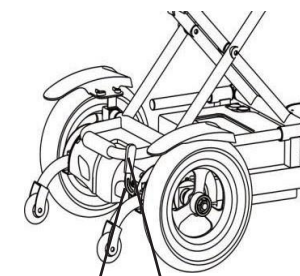
The free wheel lever is located on the rear of the scooter on the right-hand side. Pushing the lever up will allow the wheels to move freely to push or pull the scooter. The lever must be pushed down to turn on and drive the scooter.

Please note:

1. If the key is in the on position when disengaging the Free Wheel lever you must remove the key to power off and then push the key in again for the CRUZE to move.
2. When the Free Wheel lever is engaged, the CRUZE will slow down if the non-electric pushing or pulling is happening too fast.



Free Wheel Lever 11



Push up to Release
Push down to lock

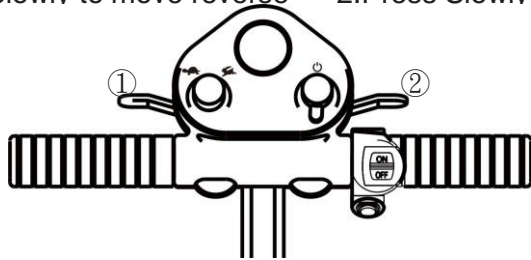


For Safety both Anti-Tip rear wheels must be in the Down position when driving the scooter.

Speed Control:

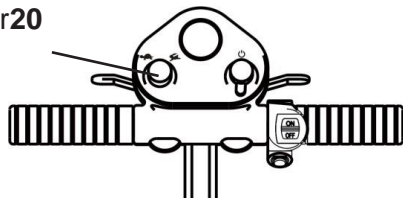
Speed is controlled by the fingertip control. To move forward - slowly push the right-side fingertip control paddle towards the handlebar. The further you push, the faster the scooter will go. To reverse – slowly push the left side of the fingertip control paddle towards the handlebar. The further you push, the faster the scooter will go. Stop the scooter by releasing the fingertip control.

1. Press Slowly to move reverse 2. Press Slowly to forward



The speed potentiometer can be set to limit the scooter's maximum driving speed. Rotate towards the turtle for slower speeds or towards the rabbit for faster speeds. First time users should practice in the slower speed and adjust to faster speeds as they become more confident with the scooter.

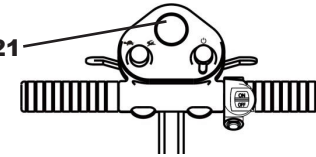
Speed potentiometer 20



Battery Indicator (21)

The battery level indicator will show the battery level when the scooter is on. When 5 green lights are lit, the battery is fully charged, 1 green lit, the battery is ½ charged. Two yellow lit, the battery needs to be charged. A red light indicates the battery is depleted.

Battery Indicator 21



Brakes

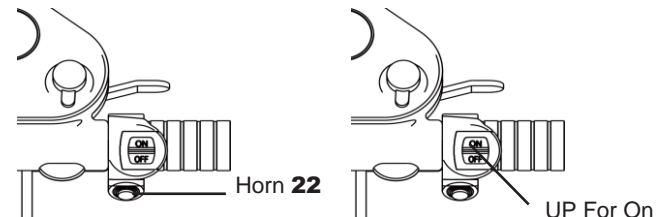
The TRIAXE CRUZE is equipped with electromagnetic brakes. Releasing the fingertip paddle control will stop the scooter.



Both rear wheels must be on the ground for the electromagnetic braking system to operate correctly. Taking corners at high speed can result in injury or death.

Horn (22)

The horn button is the red button on the right side of the hand grip. When you press the button, the horn will sound.



Headlight (5)

The headlight turns on by pushing the switch on the handlebar up for on and down for off.

5. Folding and Unfolding the TRIAXE CRUZE

To Open the TRIAXE CRUZE

1. Pull front tiller forward and squeeze tiller lock lever towards steering tube until it locks in place.
2. Raise back rest.
3. Locate lever under the seat to release the seat mechanism to 2 standard locking height positions. Lift seat straight up until it locks in place.
4. Pull handlebar up to a comfortable height and lock into place by squeezing handlebar tube release lever. If handlebar does not stay in place, open the handlebar tube release switch and turn the lever clockwise 1 revolution to tighten, then close the handlebar release lever. If handlebar is still loose, repeat last step until tight.
5. Pull out bumper/pull handle by holding pin ring out while pulling the bumper/pull handle out.

To Fold the TRIAXE CRUZE

1. Locate the lever under the seat.
2. Squeeze lever towards the back of the seat to lower. (Please note some TRIAXE models are designed to stop midway down and you will have to squeeze the lever again to lower the rest of the way).
3. Fold backrest down.
4. Release handlebar tube release lever and lower handlebar.
5. Release tiller release lever by pulling up on the knob and pulling lever towards front wheel.

6. Bumper/pull handle can be used as handle to transport the TRIAXE CRUZE like rolling luggage when the rear Safety wheels are fully engaged. **(Do not use the Rear motorized Wheels to roll your Cruze directly on the ground, this may cause internal damage to the Drive motor.)**



6. Safety Requirements

Driving Surface

The TRIAXE CRUZE has the best stability under the normal driving conditions (dry, level ground with concrete or asphalt). Extra care must be taken when riding on other surfaces (grass, gravel, etc...).



It is unsafe to drive the TRIAXE CRUZE up steep inclines. Please read the manual instruction completely before operation.

- Check the physical conditions (tires, battery, bolts) before driving the scooter.
- ALWAYS SLOW DOWN BEFORE TURNING.
- ALWAYS PULL THE KEY UP TO POWER OFF, BEFORE GETTING ON OR OFF THE SCOOTER.
- The TRIAXE CRUZE Scooters can be used safely in short grass and hard packed gravel.
- Avoid driving in loose gravel, soft soil and sand.
- Do not drive the scooter in unknown road conditions.
- The TRIAXE CRUZE can ride over small obstacles within a certain height, but you must minimize the speed and slowly drive over the obstacle.
- Do not operate the scooter before you have fully read and understand this manual.
- Do not carry additional riders on the scooter, chassis or lap.
- Do not operate while under the influence of alcohol or drugs.
- Ensure the seat is fixed and fastened.
- Slow down when operating on uneven or soft ground.
- Do not park on slopes.
- Changing the initial setting or refitting your scooter is forbidden.
- Use caution when operating near busy streets, markets or shopping centers. Do not operate in unsafe areas. Please consult local authorities about the traffic rules for scooters.
- Hold the handlebar with both hands and put both feet on the footboard when operating.
- Never sit on the TRIAXE CRUZE in a moving vehicle.
- Do not exceed the maximum gradient when driving

- Do not exceed the TRIAXE CRUZE maximum weight capacity of 350lbs. This weight includes rider, accessories and baggage.
- Do not reverse on uneven slopes or uneven ground; be careful when passing over slopes.
- Never use the TRIAXE CRUZE to go up and down stairs.
- Never take your TRIAXE CRUZE on an escalator.
- Do not operate on frozen, slippery or salty ground.
- Never charge a frozen battery.

7. Battery Maintenance & Charging

The TRIAXE CRUZE Scooter is designed to use one maintenance free 24V/12AH lithium Ion Battery. It comes with an easy to use 24V-2AH charger.

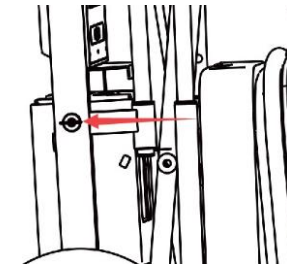
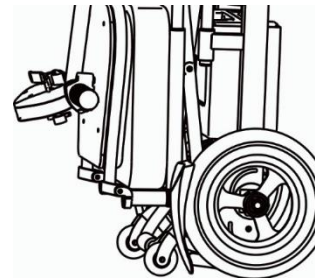
- Charge the battery completely before the first operation. Not charging the battery completely prior to operating your TRIAXE CRUZE for the first time can cause damage to the battery and possibly void the warranty.
 - Remove the key before charging your TRIAXE CRUZE.
 - Switch the battery to the off position before charging. (O)
 - Plug the charger into the charge port of the battery then plug the charger into the wall receptacle. Next, turn on the battery pack switch. A full charge can take up to 4-8 hours. The charger light will turn from red to green when the battery is fully charged. Switch off (O) the battery switch and remove the plug from the receptacle. Remove the plug from the battery charge port.
 - Take the battery off the charger if storing the TRIAXE CRUZE for more than 24 Hours.
 - When storing the scooter put the battery switch in the Off (O) position
 - The battery should be charged monthly when storing for long periods.
- * Battery can be removed and charged off the scooter.



**Match the charger socket and charger plug properly.
Do not force.**

Removing the Battery from the TRIAXE CRUZE:

1. Turn off power Switch to the battery.
2. Disconnect the battery from the power connector.
3. Fold scooter completely and stand scooter up.
4. Stand facing the bottom side of the scooter and pull at the pin ring on the right-hand side of the battery box to release battery lock while pulling on the battery handle. Once battery compartment is opened, you can slide the battery out.



Guide to Safe and Long Lasting Battery



How does the Charger Work? When the battery voltage is low, the battery charger outputs a large current to charge the battery. When the battery voltage is near full, the battery charger outputs a small current. When the battery is full, the battery charger will output very little current. Therefore, the battery will continually charge after connecting the charger, but will not overcharge. It is better to charge the battery for less than 24 hours.

What does the light on the charger mean?

The red light indicates that the scooter is charging. The green light indicates the battery is fully charged.

Can other chargers be used?

To charge safely and efficiently, use the charger supplied by the original manufacturer only.

How often should you charge the battery?

The charging r depends on the use.

- If you're operating the scooter every day, charge after each use so it will have a full charge the next day. The time to charge the battery fully can vary from 4 up to 8 hours.
- If you're operating the scooter once a week, then the battery should be charged once a week.
- Be sure the battery is fully charged before operating.



Do not let the battery fully discharge before charging.

How can you get the maximum operating distance?

Driving conditions such as hills, uneven and soft surface, temperature, and user weight will affect the distance or running time for battery life. Methods of obtaining the maximum driving distance

- Fully charge your battery before operating the TRIAXE CRUZE.
- Maintain a constant speed when possible.
- Only carry the necessities to reduce weight.
- Avoid intermittent driving. (start stop, start stop, when avoidable)

Why is the power of the new battery weak?

Deep-cycle batteries use unique chemical technology and design. It can be charged quickly and be used for a long time after a full charge. The battery is fully charged before leaving the factory but may change its initial performance during the transportation due to the temperature. The power of the battery will lessen in higher temperatures and it will extend the charging time in low temperatures. The battery requires a few days to adapt to the surrounding environment before it gets stable performance. More importantly, a deep cycle battery will get higher performance after several charging – discharging cycles.

Please follow the steps below to improve the battery performance:

- A new battery must be fully charged before using.
- Low speeds are recommended for the first time. Do not travel too far until you are familiar with the operation of the scooter and the battery.
- Fully charge the battery after operating the TRIAXE CRUZE.
- The battery capacity will reach 100% and extend the driving time after four to five charging and discharging cycles.

How to ensure the battery life:

A fully charged battery will provide better performance and extend battery life. Do not fully discharge the battery.

How to store scooter and battery:

- Charge your battery fully before you store it.
- Remove battery from the TRIAXE CRUZE.
- Store your scooter and battery in warm, dry place. Not hot.
- Avoid storing the scooter in area with large temperature variations.
- If storing the scooter, charge battery at least once per month.
- For optimal battery life, be sure to use your scooter monthly.

8. Maintenance:

With care and regular maintenance, the TRIAXE CRUZE is designed to provide years of enjoyment. The following will keep your TRIAXE CRUZE running at optimum levels.

Battery:

- Make sure battery is fully charged.
- Store the battery in a dry environment.
- Check connection for corrosion and check all switches for physical damages.
- Never charge a frozen battery (best results in room temperature).

Seat:

- Clean seat cover with clean, damp cloth.

Cleaning:

- A clean, damp, non-abrasive cloth works best to wash and clean the TRIAXE CRUZE.
- Do not wash your TRIAXE CRUZE with a water hose as this may create an electrical short and damage the electrical system.

Wiring:

- Check all wire connections and wiring insulation for wear and damage regularly. This includes the charger power cord.

Motor, Bearings and Transmission Parts:

- These components have been lubricated and sealed by the factory, there is no need to lubricate these parts.
- Store in dry environment. Electric components should avoid moisture. If they come in contact with moisture, dry before use.
- Check and tighten bolts regularly.

Tires:

- The tires are air free. There is no need to check pressure.

9. Basic Troubleshooting

Power stops while operating

- Make sure key is inserted.
- Make sure battery is properly installed.
- Make sure battery is properly charged.
- Check that battery switch is in the ON position.
- Be sure the free wheel lever is engaged. Remove and reinsert key after engaging to allow the motor to engage.

Slow speeds while driving

- Be sure battery is properly charged.
- Check the tires, wheel rims or fenders for any obstructions.

Scooter won't move forward or backward using the speed control

- Remove key to turn off the scooter.
- Ensure the free wheel lever is in the locked position
- Insert key and try speed control lever again.

If you continue to have trouble with your TRIAXE CRUZE Please Contact your authorized TRIAXE dealer: or send an email directly to: service@enhancemobility.com

10. Warranty

The TRIAXE CRUZE has a one year warranty on all components*, 6 month warranty for battery and 3 year warranty on the frame.

Please Note – tires, rims, seat and disc brakes are not covered under the warranty.

Enhance Mobility will ship the parts directly to the customer or service center of choice. Enhance Mobility will provide technical assistance and documentation to ensure the scooter is repaired.

If after calling in to the Enhance Mobility Service line at 800-296-4151 (option 2) and speaking to a service rep, it may be determined that the repair is covered under the warranty and requires return to the factory, In this case the customer will prepay for shipping to and from Enhance Mobility. Shipping labels will be provided.

Return Shipping must be in original packing to protect against damage. Enhance Mobility is not responsible for damage caused by shipping. Enhance Mobility will perform the necessary labor and replace covered parts at its expense and ship back to the customer.

