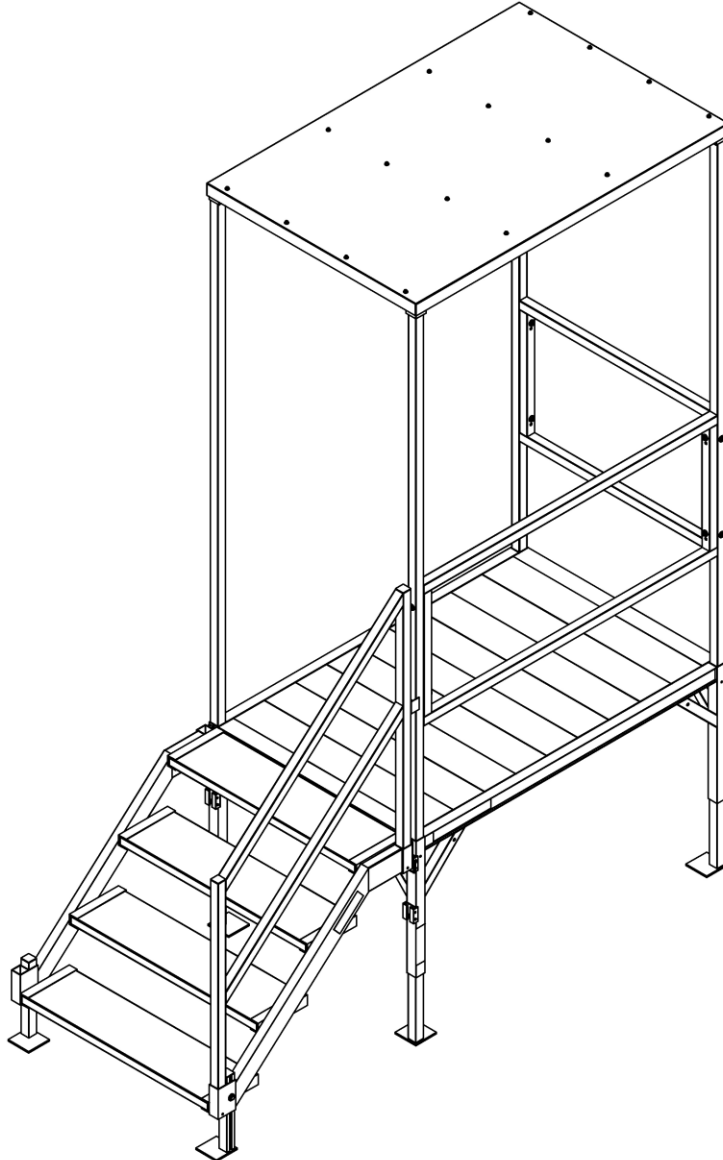


Fortress OSHA Stair System Canopy

Rated Load: 100 psf, 300 lbs. concentrated



This supplement covers the special requirements for installing the Fortress Stair System Canopy. For additional instructions, refer to the main manual titled *Fortress OSHA Stair System Adjustable Stair Installation Manual*.

1. SAFETY AND WARNINGS

- ⚠ **WARNING!** Rated load is 100 psf, 300 lbs. concentrated. Never exceed rated load.
- ⚠ Regularly check for damage and tighten any loose fasteners.
- ⚠ Keep canopy clear of ice, snow, dirt, leaves and other debris at all times.
- ⚠ Re-read your *Fortress OSHA Stair System Adjustable Temporary Stair Manual* before installing the Canopy and follow all warnings, maintenance, and safety information. For replacement copies of manuals or labels, visit www.ezaccess.com, or call Customer Service at: 1-800-258-8503.
- ⚠ Do not use the system without properly installed handrails.
- ⚠ Periodically inspect and confirm all parts of the canopy are in good condition, correctly positioned, and securely fastened. If damaged, loose, or missing parts are noted, DO NOT USE and contact manufacturer.
- ⚠ Regularly check and properly tighten fasteners as needed.
- ⚠ Metal conducts electricity. Never use near electrical current.
- ⚠ Use caution at all times. Do not run or jump on the system.
- ⚠ Do not use any part of the system, including handrails, to support planters, power cords, decorations, etc.
- ⚠ For additional safety information or assistance, please call Customer Service at 1- 1-800-258-8503 or Technical Support at 1-800-332-1381. You can also visit us online at www.ezaccess.com.

2. INSTALLATION TOOLS

- Tape measure
- Level
- Ratchet wrench
- Marker
- 9/16" wrench
- 9/16" socket
- 1/2" wrench
- 1/2" socket

3. INSTALLATION:

- 3.1. Remove handrails from Fortress OSHA Stair System, if installed, and set aside.
⚠ **WARNING! Use extreme caution on platform when handrails are removed.**
- 3.2. Insert 1 1/2" square canopy posts into platform corner pockets with the holes oriented toward the platform. The canopy corner post, the only one with holes on all four sides, must be in the corner where the two handrails will connect. Orient the two canopy posts at 90° from the corner post so the holes are in line with the holes in the corner post (FIG. 1).
- 3.3. Set canopy roof on canopy posts. Insert top of canopy posts into canopy roof corner pockets and tighten corner pocket set screws (FIG. 1).
- 3.4. Insert 5/16"-18 x 3-1/2" button head socket cap screws, 5/16" flat washers, and 5/16"-18 locknuts as shown (with the locknuts on the inside) to attach handrails to the canopy posts. Tighten all fasteners securely (FIG. 2).
- 3.5. Install 1/4" x 1" pan head Phillips self-tapping screws through the existing holes in the platform corner pockets into the 1 1/2" square canopy posts (FIG. 2). Pre-drill 1/8" pilot holes in the canopy posts if needed.
- 3.6. Make sure all fasteners are in place and tightened securely. Regularly check and tighten fasteners as needed.

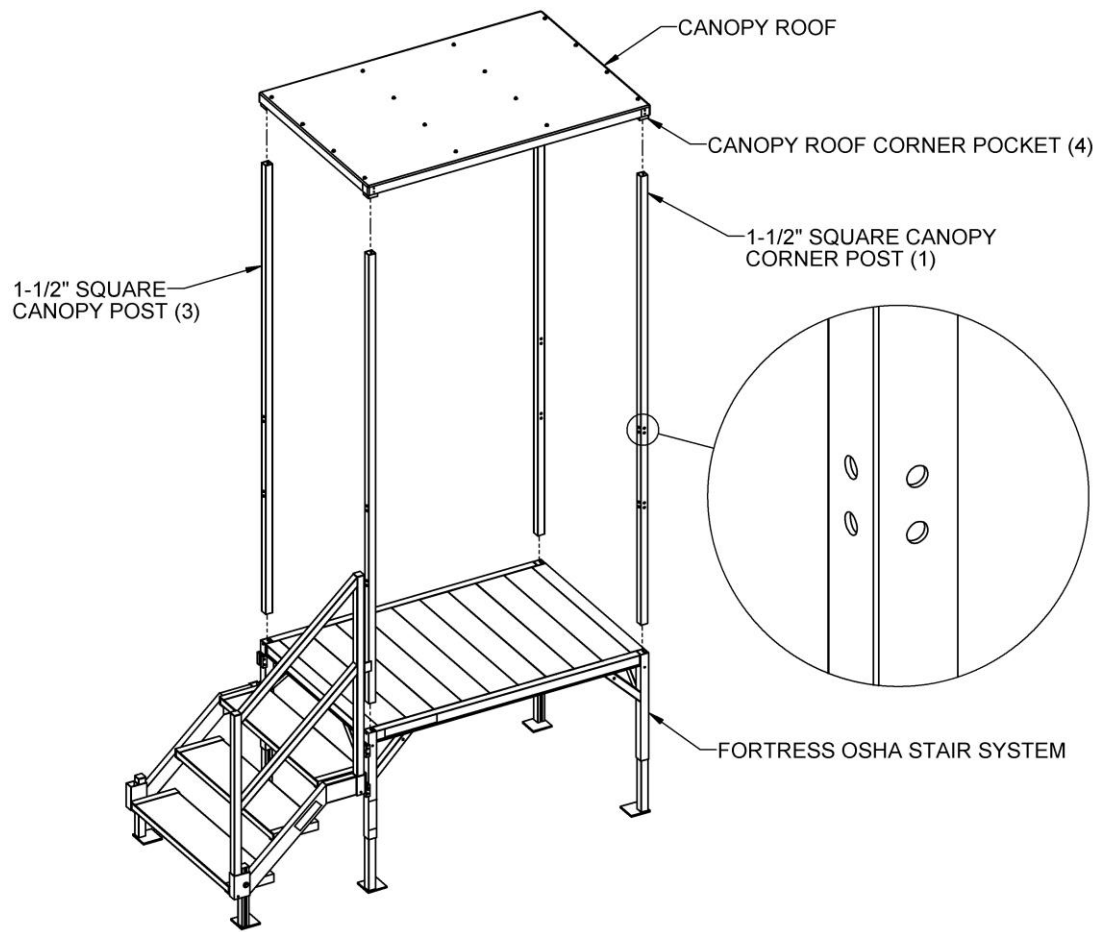


FIG. 1

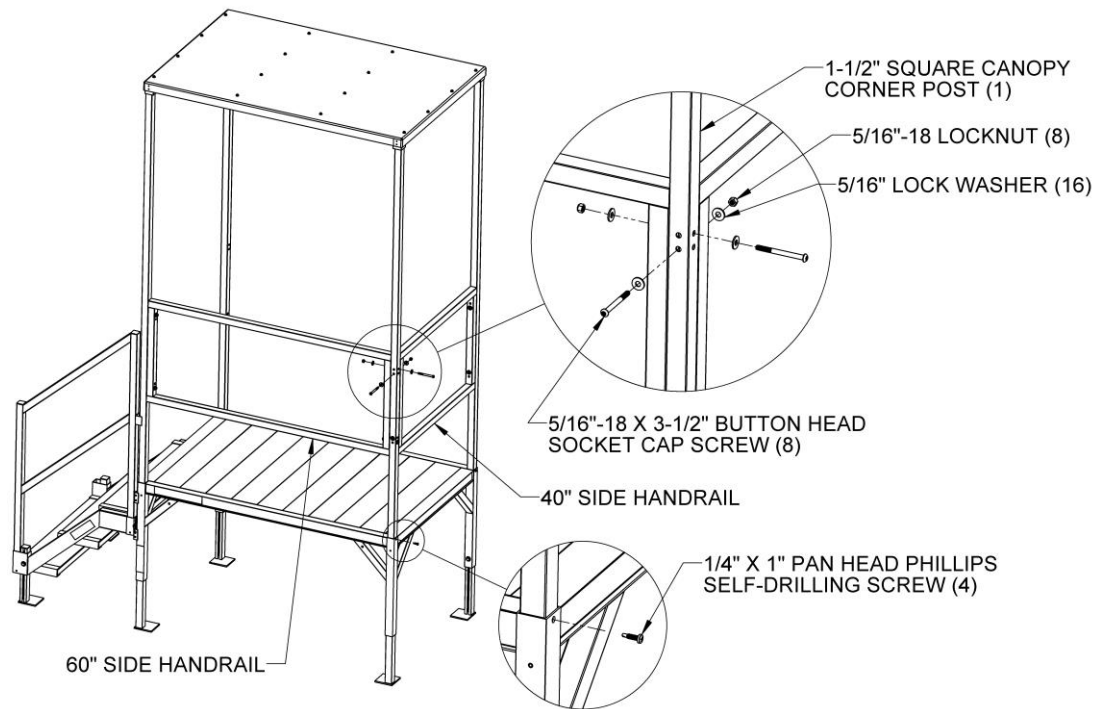


FIG. 2