

## SPECIFICATION SHEET

JOB NAME:

LOCATION:

QUOTE/REF#:



### SPECIFICATIONS

<b>Brightness:</b>	400 Lumens
<b>Power:</b>	5 watt
<b>Voltage:</b>	12V DC
<b>LED CCT:</b>	3000K or 5000K
<b>CRI:</b>	90+
<b>IP Rating:</b>	IP20
<b>Environment:</b>	Indoor Use - Dry Location
<b>Beam Angle:</b>	40°
<b>Head Length:</b>	3 in / 76 mm
<b>Head Diameter:</b>	2.25 in / 57 mm
<b>Head Max Ext.:</b>	5 in / 127 mm
<b>Finish:</b>	Black, White, or Brushed Nickel
<b>Manufacturer:</b>	Elumalight
<b>Rating:</b>	UL Listed
<b>Avg. Lifetime:</b>	± 30,000 - 50,000 hours
<b>Warranty:</b>	2 years limited

### DESCRIPTION

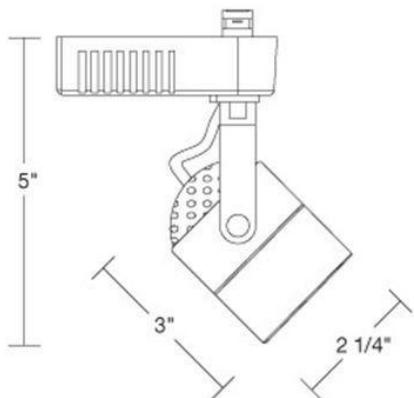
LED MR-16 Low Voltage Cylinder Track Head for use with the H-Style Track System. Call 800.822.8527 or e-mail sales@step1dezigns.com for J or L style versions.

### KEY FEATURES

- Adjustable track adaptor to allow for use with single or double circuit track
- Great for Retail Store Display Fixtures
- 90-degree vertical movement of 358-degree horizontal rotation
- Metal housing, cylinder style
- LED 5 Watt MR-16 Bulb Included with 3000K or 5000K LED CCT options
- Low Voltage Electronic Transformer Included
- UL Listed

### APPLICATIONS

- Tradeshow Booth
- Exhibit and Displays
- Retail Store Lighting
- Commercial Application



## SPECIFICATION SHEET

### Order SKUs

Product SKUs	Finish	Color Temperature
EL-TKH28-30K-BK	Black	3000K Warm White
EL-TKH28-30K-WH	White	3000K Warm White
EL-TKH28-30K-BN	Brushed Nickel	3000K Warm White
EL-TKH28-50K-BK	Black	5000K Cool White
EL-TKH28-50K-WH	White	5000K Cool White
EL-TKH28-50K-BN	Brushed Nickel	5000K Cool White