

**SPECIFICATION SHEET**

JOB NAME: \_\_\_\_\_

LOCATION: \_\_\_\_\_

QUOTE/REF#: \_\_\_\_\_



**DESCRIPTION**

The AC LED Electronic Transformer is designed primarily for use with LED MR16 lamps. Its unique feature includes the small dimension for applications where space is limited, i.e. J-Box. The 60 Watt 12V AC Class II Electronic Transformer has no minimum load requirement, and flicker-free dimming down from 100% to 0%.

Need help with your LED lighting applications? Our lighting experts are here to help! Contact us today for assistance with lighting plan or installation instructions.

**SPECIFICATIONS**

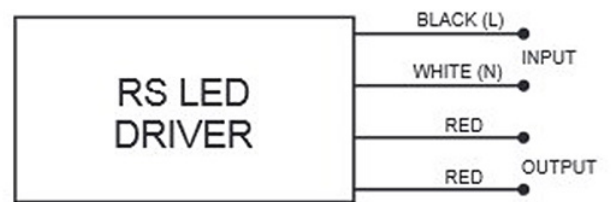
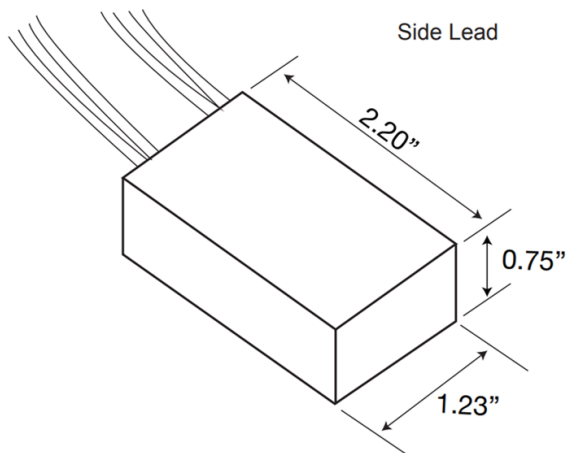
- Input:** 120V AC 50-60Hz 0.6A
- Output Voltage:** 12V AC
- Power:** 60 Watts
- Power Factor:** 0.9
- Operating Temp.:** -4°F to 120°F (-20°C to 50°C)
- Dimmable:** Yes
- Power Method:** Hardwire
- Dimensions:** 2.2 in. L x 1.23 in. W x 0.75 in. H  
56mm L x 31 mm W x 19 mm H
- Environment:** Dry or Damp Location
- IP Rating:** IP20
- Case Style:** Aluminum
- Rating:** RoHS and UL8750 Compliant
- Manufacturer:** Elumalight
- Warranty:** 1 Year Limited

**KEY FEATURES**

- 100% to 0% dimming
- Low profile design fits in tight spaces
- Rated Class II
- Easy installation
- Maintenance-free
- Solid-state construction
- High vibration and shock resistance
- Short circuit protection
- No RF interference
- RoHS and UL8750 Compliant
- Long lifespan

**APPLICATIONS**

- For use with compatible Dimmers and 12V AC lights.



Leads: 6", AWG#18 stranded, 300V, 105°C