

SPECIFICATION SHEET



SPECIFICATIONS

Brightness:	300 Lumens
Power:	3.5 Watt
Input Voltage:	24V DC
LED CCT:	2700K, 3000K, 3500K, or 4000K
IP Rating:	IP20
Environment:	Indoor Use - Dry or Damp Location
Dimmable:	Specified by driver
Beam Angle:	113°
Cut-out:	3.15 in
Diameter:	3 in
Depth:	0.79 in
Finish:	Black, White, Brush Nickel, Bronze
Mounting:	Recessed, Surface Mount (with surface bracket)
Manufacturer:	Elumalight
Rating:	UL, ETL Listed
Avg. Lifetime:	± 30,000 - 50,000 hours
* Required:	24V DC LED Power Supply, sold separately.

JOB NAME:

LOCATION:

QUOTE/REF#:

DESCRIPTION

The LED Adjustable Pucks Light is a sleek and lightweight light fixture that is ideal for accent, under cabinet, in-cabinet, retail displays, and jewelry cases, as well as other applications that have limited space.

These fixtures have a low profile and can be placed closely together to provide even illumination on all surfaces without producing a diode image. The pucks can be recessed (with the use of an accessory) or surface mounted.

Step 1 Designs' puck light features ultra-low profile housing, making it easy to install. Furthermore, the LED technology eliminates heat from the fixture, and there are no harmful UV or infrared rays to damage artwork, or retail displays.

KEY FEATURES

- 18° Adjustment
- Easy installation
- Dimmable with dimmable power supply
- 72" cable included, extension cables available
- No flicker delay or warm-up like compact fluorescent products
- No diode image
- No UV light or infrared wavelengths
- cULus Listed
- 5-Year Limited Warranty

APPLICATIONS

- Decorative Lighting for Tradeshows, Exhibition, Retail Displays
- Architectural lighting for corridors, canopies, archways,
- Downlighting or Uplighting Recessed Applications
- Gallery and Museum Lighting
- Under-cabinet, Under-Counter, or accent lighting

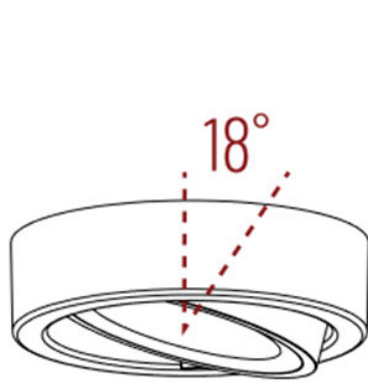


DIMENSIONS DIAGRAM

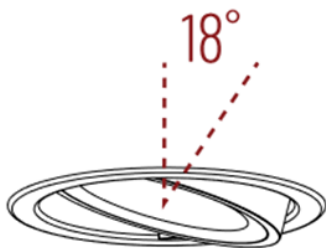
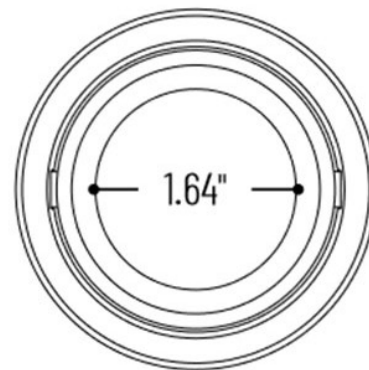
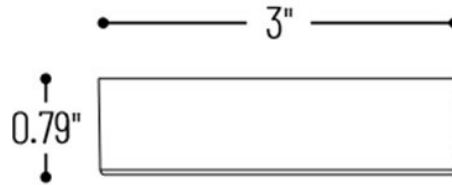
JOB NAME: _____

LOCATION: _____

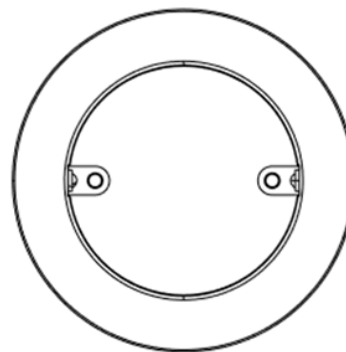
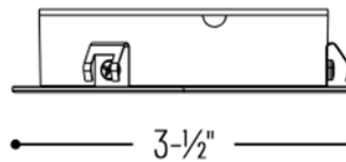
QUOTE/REF#: _____



Surface Mounted



Recessed Mounted
 (Cut Out: 3.15" diameter)



Recessed Flange Accessory