

SPECIFICATION SHEET

JOB NAME: _____

LOCATION: _____

QUOTE/REF#: _____



DESCRIPTION

The RGBW LED Rotary Knob Controller with Remote is easy to install and use. It is designed perfectly for Step 1 Designs RGB or RGBW LED tape lights, led modules, etc. or 12V DC - 24V DC constant voltage lights.

SPECIFICATIONS

- Input Voltage:** 12V-24V DC
Output Power: 5A x 4CH
Output Channels: 4
Input: 2 Wire (Positive + / Negative -)
Output: 5 Wire RGBW (Positive+)
Max Load: 240 Watts (12V DC)
 480 Watts (24V DC)
Working Temp: -4° F ~ 140° F
Environment: Dry Location
IP Rating: IP20
Control Range: RF Remote Control Radius up to 90 feet (line of sight)
Previous Mode on Power Cycle: Yes
Static Colors: 4 trillion + Choices
Modes: 37 Color Changing Modes
Controller Size: 6.9 in. L x 1.8 in. W x 1.8 in. H
 176 mm L x 45 mm W x 30 mm H
Remote Size: 3.94 in. L x 1.54 in. W x 0.25 in. H
 100 mm L x 39 mm W x 6 mm H
Labelss: CE, FCC, RoHS
Warranty: 2 Year Limited
Required: Requires a non-dimmable 12V DC or 24V DC LED Driver.

KEY FEATURES

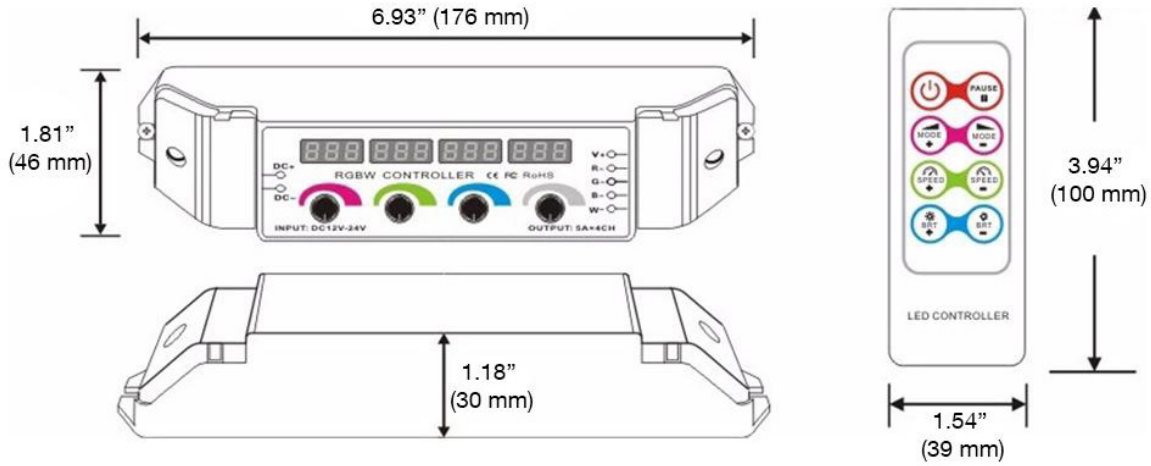
- 12V and 24V DC Operation
- Built-in digital display with rotary knobs
- 16 Speed and Brightness Levels
- 37 changing modes such as skipping, smooth, etc.
- 0-255 dimming values of your Red, Green, Blue, and White output levels.
- Save your DIY color Automatically
- It can be adjusted by supplied remote control.
- Over-current protection and short circuit protection

APPLICATIONS

- Trade Show & Exhibit Lighting
- Retail Display Lighting
- Architectural Lighting
- Hotels, Casinos, and Clubs
- Custom Lighting Shows
- Stage Lighting

SPECIFICATION SHEET

DIMENSIONS



WIRING DIAGRAM

