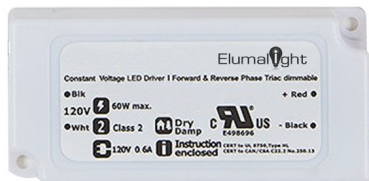


SPECIFICATION SHEET

JOB NAME:

LOCATION:

QUOTE/REF#:



SPECIFICATIONS

- Wattage:** 60 watts
- Input Voltage:** 120V AC
- Frequency:** 50/60Hz
- Input Current:** 0.58A max
- Output Voltage:** 24.5V DC
- Output Current:** 2.5A
- Efficiency:** 89%
- Load Regulation:** 5%
- Dimmable:** Yes
- Input Leads:** Black L, White N, (18AWG 600V)
- Output Leads:** Red +, Blue -, (18AWG 300V)
- Weight:** 0.4 lbs
- Power Method:** Hardwire
- Dimensions:** 3.3 in. L x 1.57 in. W x 0.98 H
83 mm L x 39 mm W x 25 mm H

DESCRIPTION

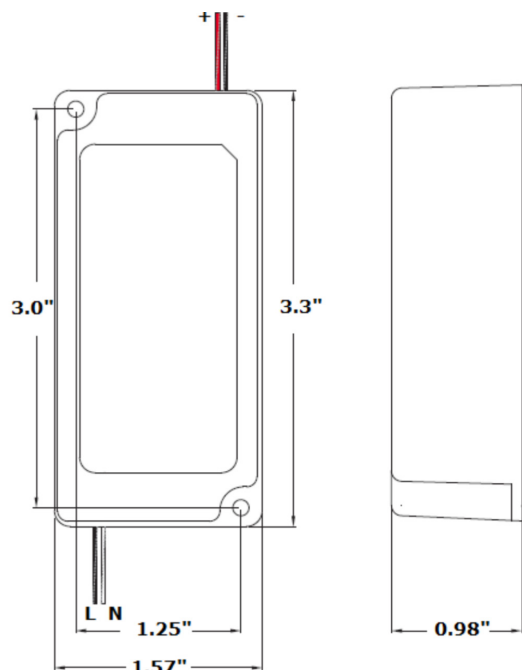
The EL-MC6024-P is ultra compact low profile. This Constant Voltage Dimmable LED Hardwire Driver is compatible with MLV, ELV, CL dimmers for Forward and Reverse Phase dimmers. 5% minimum load. Built-in overload and short circuit protection for safe load regulation. It fits in 4 inch junction box. UL and Class II certified.

KEY FEATURES

- Fully Electronic
- Wide variety of compatible dimmers, flicker free dimming
- Over load, Short circuit protection
- Whisper quiet
- Highest efficiency
- Excellent Line and Load regulation
- 5% minimum load
- UL listed when mounted in UL listed junction box.
- Triac (Phase) Dimmable Electronic LED Driver for Forward and Reverse Phase Dimmers
- Enclosure Temperature does not exceed 70°C at 45°C ambient and fully loaded

APPLICATIONS

- Suitable for 24V DC LED light fixtures



WIRING DIAGRAM

