

SPECIFICATION SHEET

JOB NAME:

LOCATION:

QUOTE/REF#:



DESCRIPTION

Magnetic Non-Dimmable Landscape Transformer has been specifically designed for long-distance applications to compensate for wire voltage drop. An electrician can simultaneously select from up to four different output voltage 12V, 14V, and 15V.

The Landscape Transformer has a large terminal block for easy installation and reliable operation. High-grade core and copper winding provide excellent load regulation and efficiency. Build-in timer and photocell options provide full control and energy savings. Secondary toggle switch circuit breaker provides short circuit and overload protection. Removable door: Side Hinge or Slide Cover. Suitable for Wet Location, ETL Listed to UL STD 1838, CSA STD C22.2 250.0 and 250.7

SPECIFICATIONS

Input Voltage: 120V AC 60 Hz
Max Input Current at Full Load: 2.5A
Output Voltage without Load: 12/ 13/ 14/ 15VAC
Output Voltage fully Loaded: 11.5/ 12.5/ 13.5/ 14.5V AC
Max. Total Wattage: 300W
Max. Output Current: 25/ 23/ 21/ 20A
Efficiency: 90%
Load regulation: 0.05%
Driver Dimensions: 13 in. H x 5.56 in. W x 5.54 in D
Weight: 14 lbs
Environment: Wet or Dry Location
IP Rating: IP65
Rating: UL STD. 1838, Certified to CSA, STD. C22.2 No 250.0, 250.7

KEY FEATURES

- Not dimmable if used with a timer or/and photocell
- Temperature class B(130°C)
- Input leads: Line cord
- Output leads: Terminal Block
- Magnetic manually reset secondary breaker 25A
- Timer and photocell build in options
- The actual transformer 300W is encapsulated in the enclosure
- The enclosure is Stainless Steel, NEMA 3R rated Wiring compartment has 5 knockouts sized for 3/8 inch screw cable connectors
- Enclosure Temperature does not exceed 75°C at 45°C ambient and fully loaded

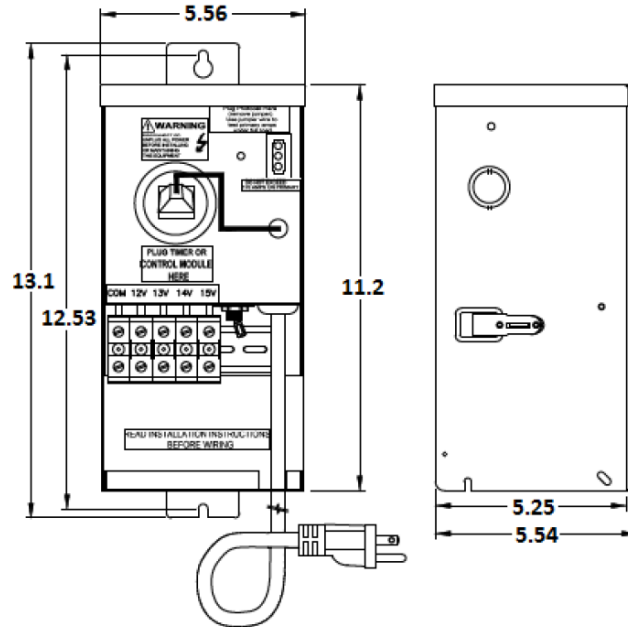
APPLICATIONS

- For use with compatible landscape lighting fixtures



SPECIFICATION SHEET

Dimensions (Unit: in.)



Wiring Diagram

