

SPECIFICATION SHEET

JOB NAME:

LOCATION:

QUOTE/REF#:



SPECIFICATIONS

- Brightness:** 600 Lumens
- Power (Watts):** 10 watts
- Input Voltage:** 120V AC 60 Hz
- CCT Adjustable:** 3000K, 4000K, or 5000K
- CRI:** 90+
- IP Rating:** IP44
- Environment:** Damp or Dry Locations
- Beam Angles:** 120°
- Dimensions:** 6.9 in O.D. x 1.1 in H
- Mounting:** Ceiling Surface Flush Mount
- Finish:** White
- Rating:** Meets NFPA 70, NEC Section 410.16 C (1) requirements, ETL Listed
- Avg. Lifetime:** ± 50,000 hours
- Warranty:** 3 years limited

DESCRIPTION

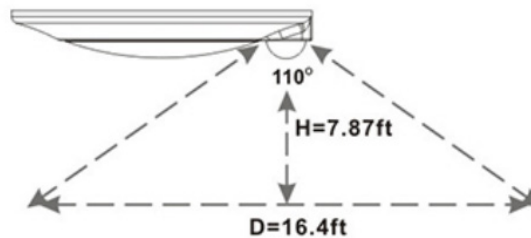
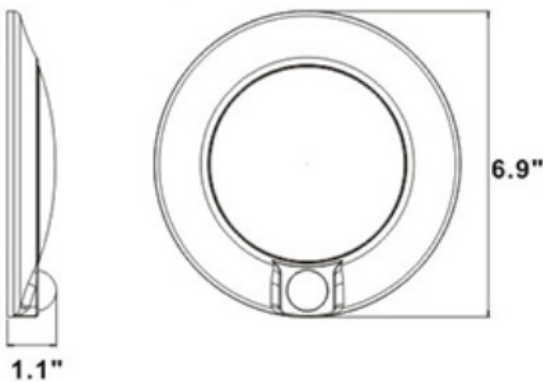
The LED CCT Round Motion Sensing Down Light is a great choice for accent, recessed, and general lighting. Featuring a built-in PIR motion sensor with 3 LED color temperatures to switch from, easily switch between 3000K, 4000K, or 5000K LED CCT before installation. It delivers 600 lumens of lighting output while only consuming 10 watts.

KEY FEATURES

- Replace Incandescent Save 80% Energy (60W R Lamp Equivalent)
- Instant Bright, High Power LED Bulb
- Fits Standard 3.5 in and 4 in Octagon J-Box
- When Motion is detected, it turns the light ON and turns the light off after 2 minutes when the room is vacated
- Flame Retardant PC material
- Meets NFPA 70, NEC Section 410.16 C (1) requirements

APPLICATIONS

- Closets
- Hallways
- Stairwell



Detection Area

PIR Motion Sensor turns on when movement is detecting, and turns off after 30 seconds, not only in dark, but also daytime.

