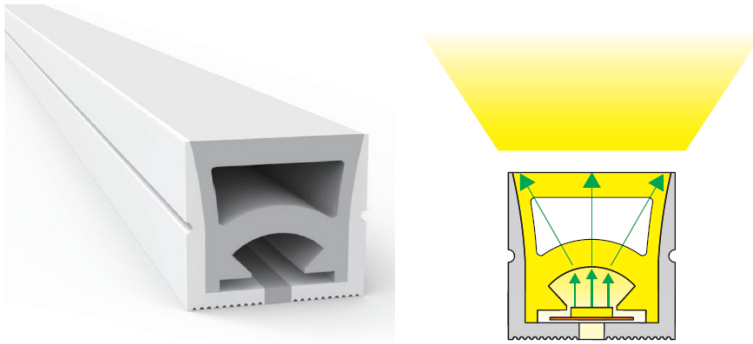


SPECIFICATION SHEET

JOB NAME: _____
LOCATION: _____
QUOTE/REF#: _____



DESCRIPTION

The LED 24V DC RGBCW Top Bend Color Changing Flex Neon Light is a unique and commercial-grade lighting strip. It is ultra-flexible which allows you to achieve the creative design of glass tube neon with all the new advanced LED lighting technology. With color-changing flex neon, you can create colorful lighting environments that you probably will not find anywhere else. Traditional glass tube neon lights are expensive and fragile and can not change colors.

Our Color Changing RGBCW LED Flex Neon is made with high-quality silicone & PVC housing. It is flexible, durable, and easy to install. It can be used in many applications including edges and corners. Rated IP67 waterproof when installed with our end caps

SPECIFICATIONS

- Voltage:** 24V DC
- Wattage:** 4.4 w per ft.
14.4 watt/meter
- LED Colors:** RGBCW (6000K)
- LED Chip:** 4-in-1 RGBCW Chips
- IP Rating:** IP67 Outdoor Wet Location
- Beam Angle:** 120°
- Dimension:** 32 ft. L x 0.79 in. W x 0.79 in H
- Mounting:** Channel Clips
- Ratings:** UL, ETL, RoHS
- *Required:** Requires LED RGBW Controller, LED Power Supply. Sold Separately.

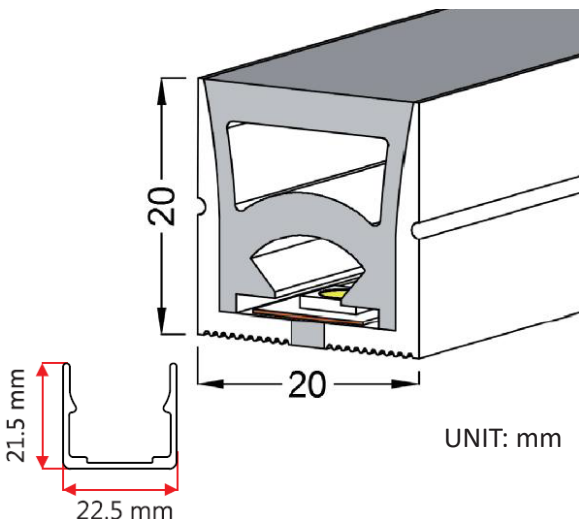
KEY FEATURES

- Long life (up to 100,000 hours!) and trouble-free operation
- Energy-efficient; most signs use only 14.4 watts per meter
- High-intensity LED and continuous line to attract attention
- Safe low heat operation; cool to the touch
- High visibility, even in direct other light
- Fully enclosed electronics for wet environments
- Rated IP67 for Outdoor Wet Environments

APPLICATIONS

- Custom Signage
- Tradeshow exhibits, Retail Displays
- Accent and decorative lighting
- Architectural lighting for corridors, canopies, archways, or windows
- Downlighting or Uplighting Applications
- Backlighting or edge-lighting
- Under-cabinet, Under-Counter, or cove lighting
- Custom DIY projects

* Contact Step 1 Dezigns for custom RGBWW flex neon length options and accessories for your project.



Sold Separately



FLEXIBLE EXTRUSION - 3.28 ft Length
SKU: EL-2020-FLEX-MC



MOUNTING CHANNEL - 3.28 ft Length
SKU: EL-2020-MC