

SPECIFICATION SHEET

JOB NAME: _____

LOCATION: _____

QUOTE/REF#: _____



DESCRIPTION

The RGBW data repeater is required for runs of RGB or RGBW lighting that exceed the wattage of the initial driver capacity. An additional driver in conjunction with the repeater is required to power extended runs.

Need help with your RGBW LED lighting applications? Our lighting experts are here to help! Contact us today for assistance with lighting plan or installation instructions.

SPECIFICATIONS

- Input Voltage:** 12V / 24V DC
- Total Output of Current:** Max 4 x 6A (per channel)
- Output power:** max 288W(12V), max 576W(24V)
- Output Channel:** 4
- Working Temperature:** -20-60 °C
- Required:** 12V DC or 24V DC LED Power Supply
- Dimensions:** 3.26 in. L x 2.52 in. W x 0.93 in. H
82.8 mm L x 64.01 mm W x 23.5 mm H
- Warranty:** 2 Year Limited
- Remarks:** Power supply voltage is 12V or 24V DC, it can not be connected to other voltage. Power wire must not short to each other, in case of short circuit. The outgoing line should connect correctly according to the color in the wiring diagram.

KEY FEATURES

- Used with RGBW or RGB LED strip light controller
- Increase load capability of the entire circuit and extends the signal of controllers
- Maximum 6 Amps per channel and 24 Amps in total
- Accept PWM signal, amplify RGBW signals using PWM technology
- Max load current: 24A (6A x 4CH)
- Output power: max 288W(12V), max 576W(24V)
- Output: 4 Circuits
- Connection mode: Common Anode
- Static Power Consumption: < 1 Watt

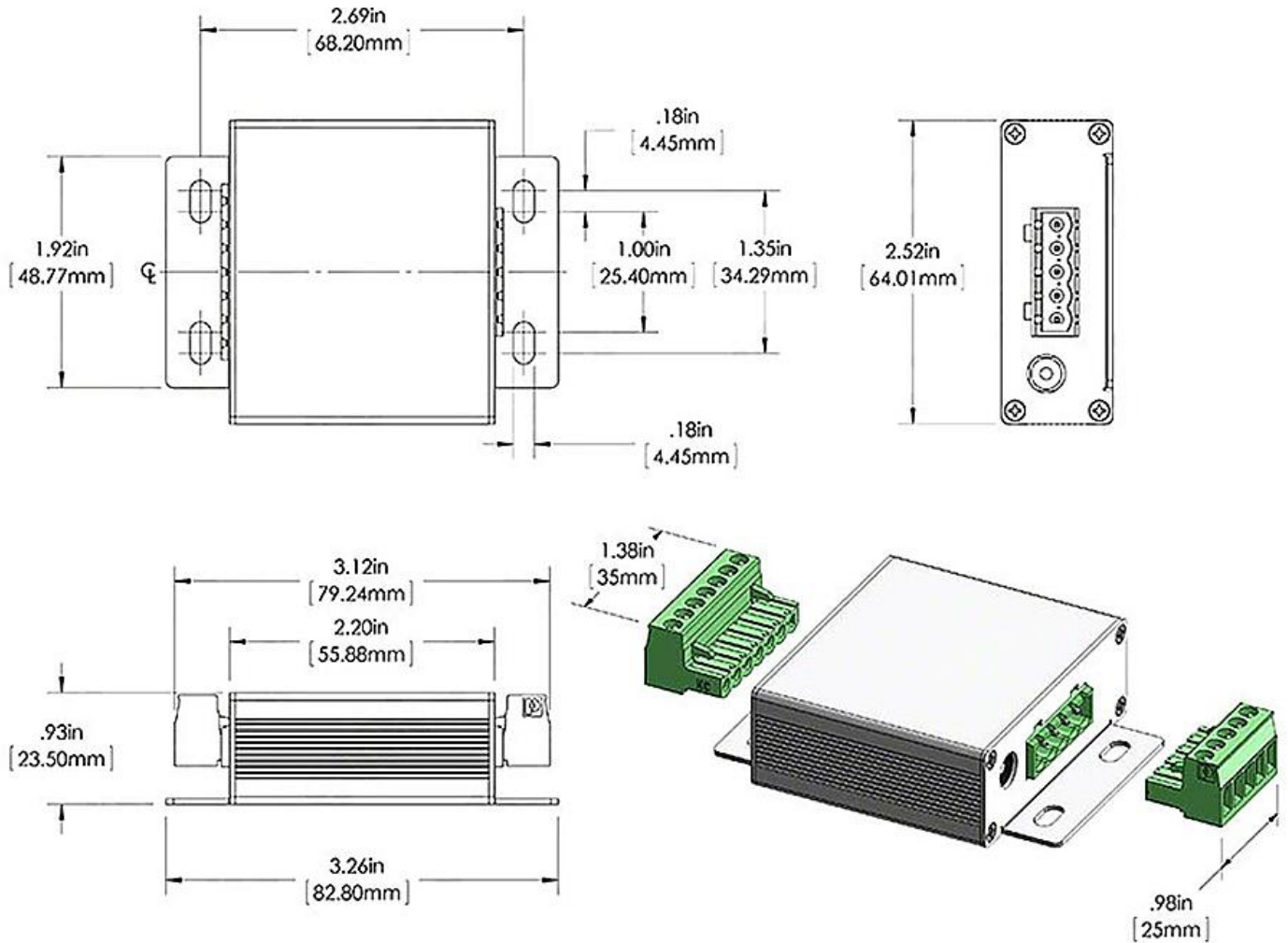
APPLICATIONS

- Trade Show & Exhibit Lighting
- Retail Display Lighting
- Architectural Lighting
- Hotels, Casinos, and Clubs
- Custom Lighting Shows
- Stage Lighting



SPECIFICATION SHEET

DIMENSIONS



SPECIFICATION SHEET

WIRING DIAGRAM

