

EL-ECC-040-UD

Constant Current UNIV 5 in 1 dimming

Plastic Suitable For Dry And Damp Location Enclosure

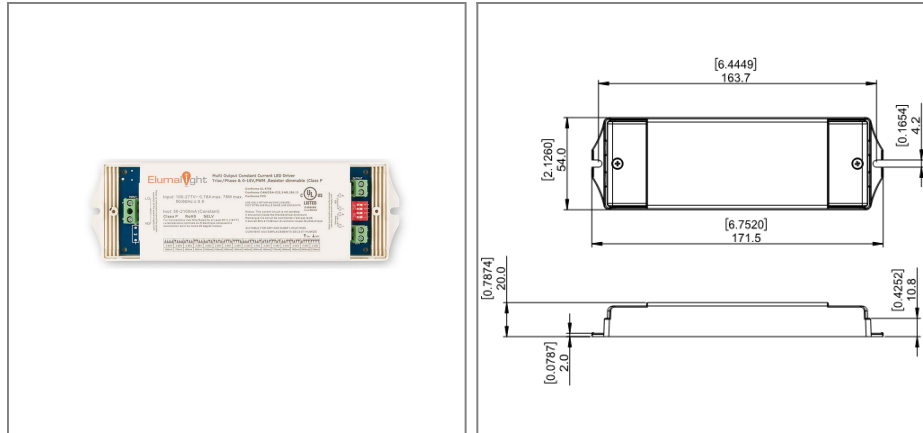
Single Circuit: **3-65VDC**

Total Wattage: **40W max**

Input Voltage: **100-277V 50/60Hz**



Conforms to UL STD. 8750
Certified to CSA
STD. C22.2 No 250.13



Transformer

Dimmable with triac forward and reverse phase, 0/1-10V , resistor, PWM
Temperature class B(130°C)

Housing

The actual transformer 40W is encapsulated in the enclosure
The enclosure is Plastic suitable for dry and damp location, IP20, wire
compartment is optional rated
Enclosure Temperature does not exceed 65°C at 45°C ambient and fully
loaded

Dimensions (inch): H = 2.1, W = 6.4, D = 0.95

Weight (LBs): 0.37

Electrical Parameters

Input Voltage: **100-277V 50/60Hz**

Max. input current at full load: **0.52A**

Output voltage without load: **75VDC**

Output voltage fully loaded: **VDC**

Max. Total Wattage: **40W**

Max. Output Current: **1.4A**

Efficiency: **80%**

Output	Rated current (A)	0.3	0.35	0.4	0.45	0.5	0.55	0.6	0.65	0.7	0.8	0.9	1.0	1.1	1.2	1.3	1.4				
DIP Code		TTTT	TAAA	TTAA	TTAA	TTAA	TTAA	TTAA	TTAA	TTAA	TTAA	TTAA	TTAA	TTAA	TTAA	TTAA	TTAA				
Current Tolerance		±5%																			
DC Voltage		3-65	3-65	3-65	3-65	3-65	3-65	3-65	3-62	3-57	3-50	3-45	3-40	3-37	3-34	3-31	3-29				
Rated power		19.5	22.8	26	29.3	32.5	35.8	39	40												

EL-ECC-040-UD

Constant Current UNIV 5 in 1 dimming

Plastic Suitable For Dry And Damp Location

Enclosure

Single Circuit: **3-65VDC**

Total Wattage: **40W max**

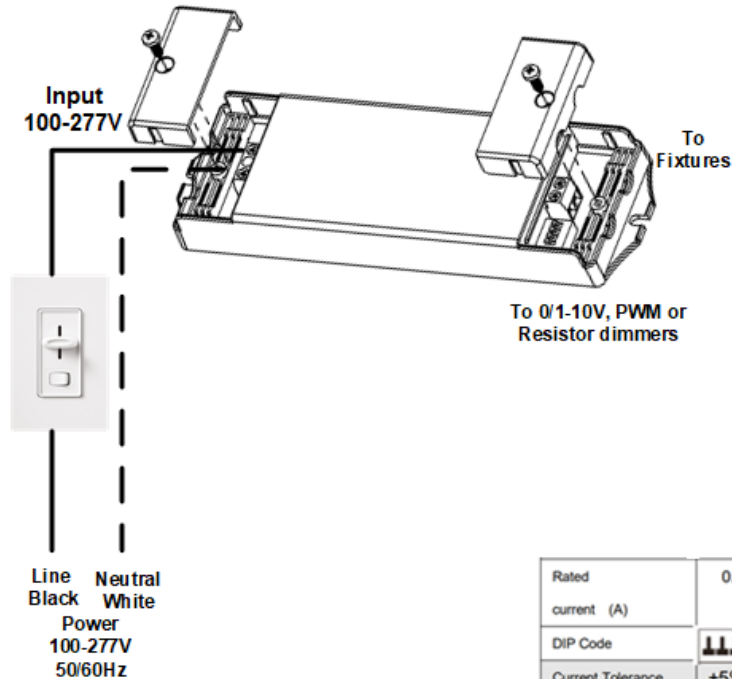
Input Voltage: **100-277V 50/60Hz**



Conforms to UL STD. 8750
 Certified to CSA
 STD. C22.2 No 250.13

Installation Instruction

- * Read instruction completely before installation.
- * Turn off electricity before wiring.
- * Only qualified personal should install the unit
- * Installation must comply with the NEC.
- * Ensure the unit has input, output voltage and output wattage proper for your application.



Mounting

The driver must be mounted in at least 5" of a free flow air space for proper ventilation. The driver must never be mounted next to or above heat radiated objects. The maximum ambient temperature should not exceed 45 deg. C (115 deg. F) at full load.

Connection

Open the wire compartments for input and output wires. There are 3 terminal boards: Input, output and dimming (see marking on the label).

Input Connection

Bring your Power Line and Neutral wires and connect to input terminal block to L and N positions.

Dimming Connection

If you are going to use Phase cut (Triac) dimmer, connect it as on the diagram. If you are going to use 0/1-10V, PWM dimmer or resistor, connect it to the dimming terminal to - and +. Your power connect directly to the driver.

Output Connection

Bring your lights wires and connect to the + and - of the output terminal block. Make sure all your connection very tight

Rated current (A)	0.3	0.35	0.4	0.45	0.5	0.55	0.6	0.65	0.7	0.8	0.9	1.0	1.1	1.2	1.3	1.4
DIP Code		T	T	T	T	T	T	T	T	T	T	T	T	T	T	T
Current Tolerance	±5%															
DC Voltage	3-65	3-65	3-65	3-65	3-65	3-65	3-65	3-62	3-57	3-50	3-45	3-40	3-37	3-34	3-31	3-29
Rated power	19.5	22.8	26	29.3	32.5	35.8	39	40								