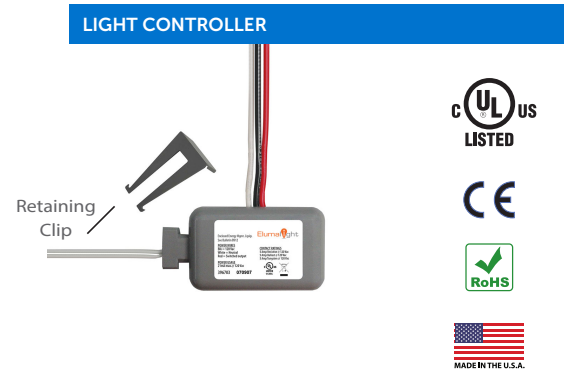
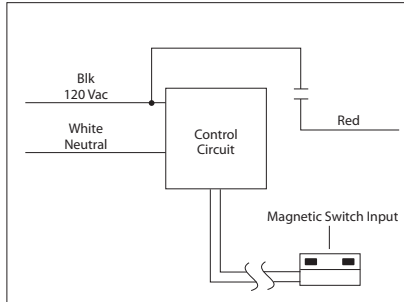


## PRODUCT SKU: EL-CLC-106

Enclosed Relay 5 Amp SPST, Separated Class 2 Magnetic Door Switch Input, 120 Vac Power



## Specifications

**# Relays & Contact Type:** One (1) SPST-N/O Continuous Duty Coil  
**Expected Relay Life:** 10 million cycles minimum mechanical  
**Operating Temperature:** -30 to 140° F  
**Dimensions:** 2.90" x 1.50" x 1.05"  
 with Retaining Clip for 1/2" Knockout  
**Wires:** 16", 600 V Rated (120 Vac Connections)  
 6' Leads on Magnetic Door Switch  
**Approvals:** UL Listed, UL916, C-UL, CE, RoHS  
**Housing Rating:** UL Accepted for Use in Plenum,  
 NEMA 1  
**Gold Flash:** No  
**Override Switch:** No

**Contact Ratings:**  
 5 Amp Resistive @ 120 Vac  
 5 Amp Electronic Ballast @ 120 Vac  
 5 Amp Magnetic Ballast @ 120 Vac  
 5 Amp Tungsten @ 120 Vac

**Power Usage:**  
 21 mA @ 120 Vac Max.

### Notes:

- By default, the Magnetic Switch being closed turns the light **off**.

Model #	Magnetic Switch Closed	Magnetic Switch Open
CLC106	Light OFF	Light ON

## Retrofit Applications

- Easily fits inside junction box
- Includes magnetic door switch. When the magnet and contact are separated, the closet light turns on.
- 120 Vac operation

