

SPECIFICATION SHEET

PRODUCT # : EL-CL399-BZ

•Rail Lights

•Aluminum

Fixture Specifications:

Light Bar Housing: Cast aluminum. Removable bar for variety of uses

Finish: BZ- Bronze

Lighting Source: Integrated LED, ten single cores, 4 Watt, 200 Lumens, 3000 Kelvin, 120° beam spread, 8-18 volt AC operating voltage, 25W Halogen equivalent, -4°F to +140°F ambient temperature.

Wiring: Fixture is prewired with a 10-ft 18-2 direct burial cord, pre-stripped for easy connection, wire connector sold separately.

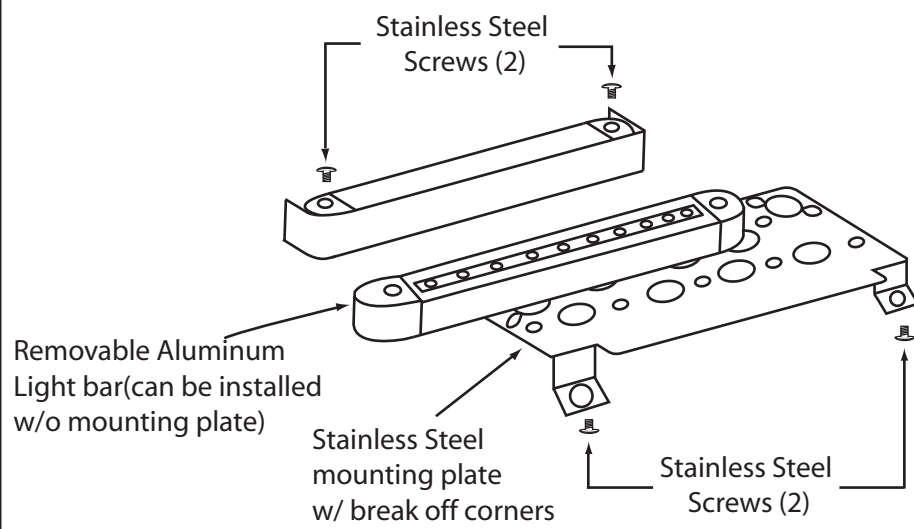
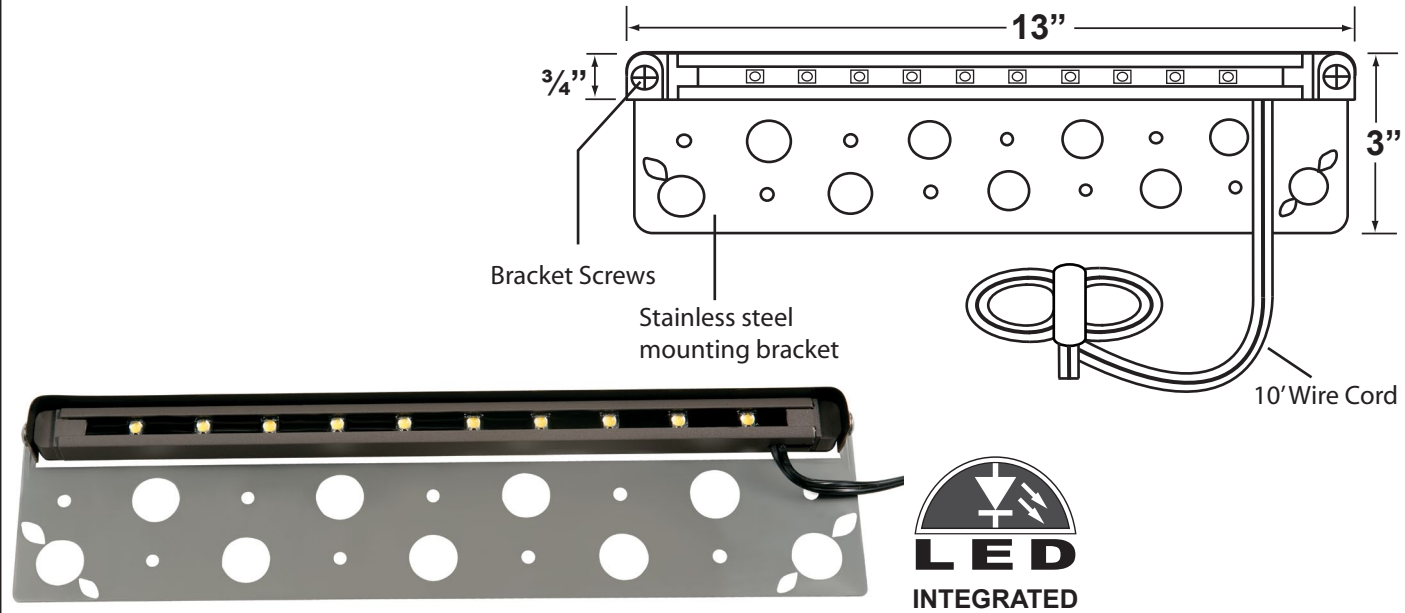
Mounting Bracket: Stainless steel, glare shield, supplied with screws and anchor bolts. Break off corners for easy installation.

Electrical Notes: A remote 12V magnetic transformer is required, can be ordered from Step 1 Dezigns, separately. Not for use with electronic transformer. Increasing voltage above 12 volts may decrease the life of LED cores.

Applications: Retaining walls, Patios, Gazebos, Decks, Benches, Stairs, and Outdoors Living Spaces.

Dimensions: 13" L X 3/4" W

Warranty: 10 year warranty, with a rated life of 50,000 hours.



JOB INFORMATION

TYPE: _____ DATE: _____
 JOB NAME & ADDRESS: _____
 PRODUCT #: _____
 TOTAL QUANTITY: _____
 LAMP TYPE & WATTAGE: _____
 TRANSFORMER: _____
 CONTRACTOR: _____
 SPECIFIER: _____