

SPECIFICATION SHEET

JOB NAME:

LOCATION:

QUOTE/REF#:



DESCRIPTION

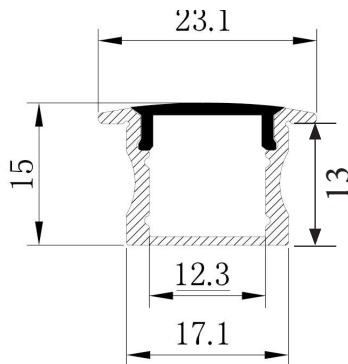
LED Deep Top Flange Aluminum Channel includes our aircraft grade aluminum channel and compatible frosted or opal white finish lens. Creating a modern and sleek style LED strip light installation has never been easier.

KEY FEATURES

- It comes in 2-meter sections and can be custom cut to any length.
- 23.1 mm wide by 15.2 mm height.
- Perfect for mounting LED Strip Light up to 12 mm in width.
- Rigid and dustproof housing can be surface or flush recess mounted.
- Includes aluminum channel, diffuser, and 2 end caps.
- The Channel lens protects LED strip light from the environment and creates diffused lighting effects. Easy to install, simply clip the diffuser lens into the aluminum channel.

SPECIFICATIONS

Channel Height: 0.6 in / 15.2 mm thick
Inside Width: 0.48 in / 12.3 mm wide
Outside Width: 0.91 in / 23.1 mm wide
Length: 78 in / 2 meters long
Recess Depth: 0.51 in / 13 mm deep
LED Strip Width: up to 12 mm
Lens Finish: Frosted or Opal White
Environment: Indoor Use, Dry Locations
Finish: Aluminum
Manufacturer: Elumalight



Unit: mm

APPLICATIONS

- For use with LED Strip lights up to 12 mm in width.

