

## SPECIFICATION SHEET

JOB NAME:

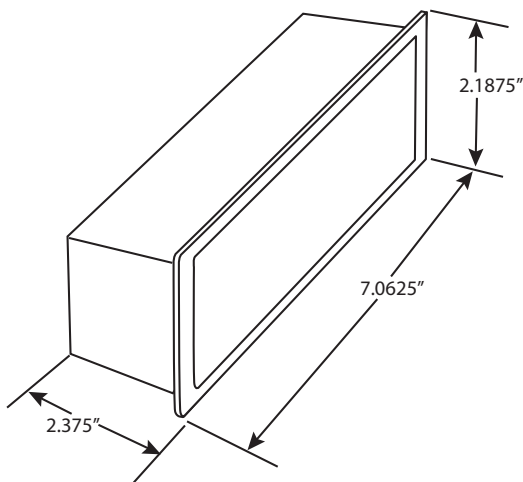
LOCATION:

QUOTE/REF#:



### SPECIFICATIONS

<b>Brightness:</b>	140 Lumens
<b>Power:</b>	3 watts
<b>Input Voltage:</b>	120V, 120-277V AC, or 12V DC
<b>LED CCT:</b>	3000K Warm White
<b>CRI:</b>	70+
<b>Dimmable:</b>	Yes (except non-dimmable modules)
<b>Environment:</b>	IP65 - Wet Locations
<b>Beam Angles:</b>	110°
<b>Dimensions:</b>	7.06 in L x 2.19 in W x 2.38 in D
<b>Mounting:</b>	LED Brick Light can be recess mounted to the rough-in housing and bracket.
<b>Finish:</b>	White
<b>Manufacturer:</b>	Elumalight
<b>Rating:</b>	UL Listed
<b>Avg. Lifetime:</b>	± 30,000 - 50,000 hours
<b>Warranty:</b>	5 Year Limited
<b>*Required:</b>	Requires LED Brick Light Faceplates, optional Housing, and Mounting Bracket. Sold Separately



### DESCRIPTION

The new LED Brick Light modules are used with our LED Brick Light Faceplates for indoor or outdoor applications and to efficiently illuminate a path, staircases, or can be used as a safety night light.

Compact size for simple wiring and easy installation into recessed rough-in housing. The rough-in housing allows wiring from center and side entry with feed-through power.

The architectural louvered and shroud die-cast zinc-magnesium trim plate creates a beautiful non-glare source of LED light to guide the way. They are available in white, stainless, or bronze finishes and sold separately.

Each LED Brick Light Module requires housing and faceplate. It is available in line voltage 120V dimmable, 120-277V, or low voltage 12V DC.

### KEY FEATURES

- Low profile design, flush to wall aesthetics
- Energy-efficient LED chipsets
- Rated IP65 for indoor or Outdoor applications
- The LED Brick Light Module is only compatible with Step 1 Dezigns Faceplates
- C/US UL Listed

### APPLICATIONS

- Walls
- Staircase
- Stairways
- Pathways

### ORDER SKUS

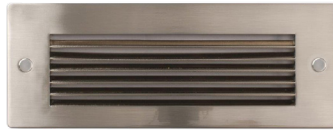
Product SKU	Dimming	Input Voltage
EL-BRK-30K-12V	Non-Dimmable	12V DC
EL-BRK-30K-UNVD	Dimmable	120V AC
EL-BRK-30K-UNV	Non-Dimmable	120-277V AC



**Brick Light Faceplate Options**



**HSM**  
Smooth Faceplate



**HHL**  
Horizontal Louver



**HHS**  
Hooded Faceplate

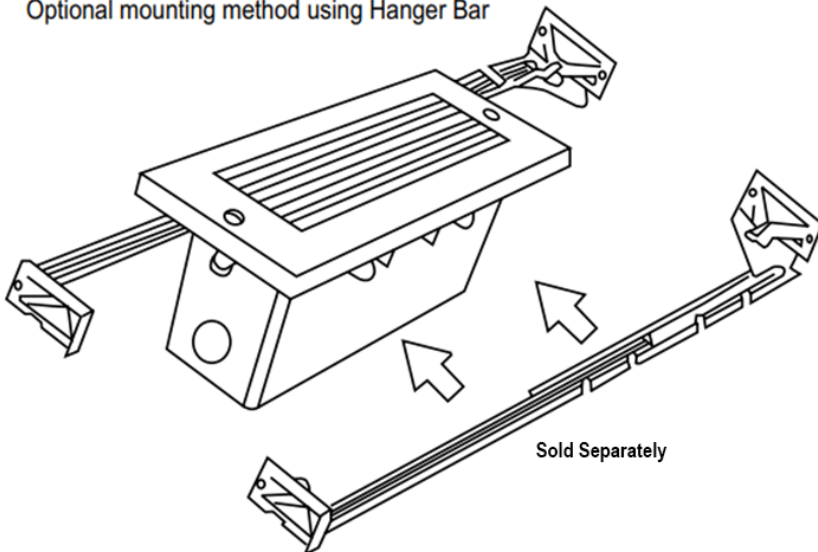
**ORDERING GUIDE:**

Example: EL-BRK-HSM-WH

SERIES	FACEPLATE TYPE	FINISH
EL-BRK	See Above Options to Select Faceplates	<b>WH</b> - White <b>DB</b> - Bronze <b>SS</b> - Stainless

**Brick Light Mounting Accessories**

Optional mounting method using Hanger Bar



**SKU: EL-BRK-BLHSG**  
Rough-In Housing



**SKU: EL-BRK-HB**  
Adjustable Hanger Bar and Bracket