

**SPECIFICATION SHEET**

JOB NAME:

LOCATION:

QUOTE/REF#:



**DESCRIPTION**

The 6 in. diameter LED Ultra Slim Round 5-Color Temperature CCT Panel Lights are designed for easy installation into new construction or remodel applications.

It is perfect for corridor, hallway, living room, meeting room, office, store, supermarket, exhibition, or other home and commercial use.

Tunable white luminaires include an integral tunable CCT switch located on the junction box of each luminaire with a quick connect that allows for easy disconnect and mounting in the ceiling.

**SPECIFICATIONS**

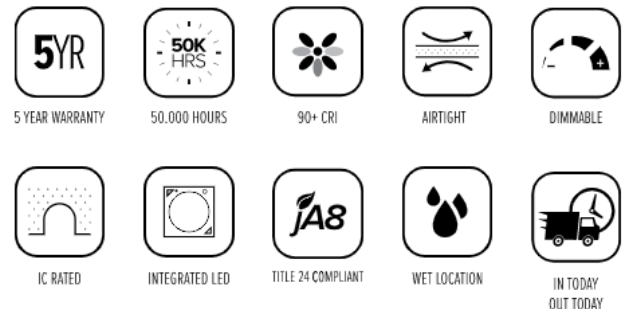
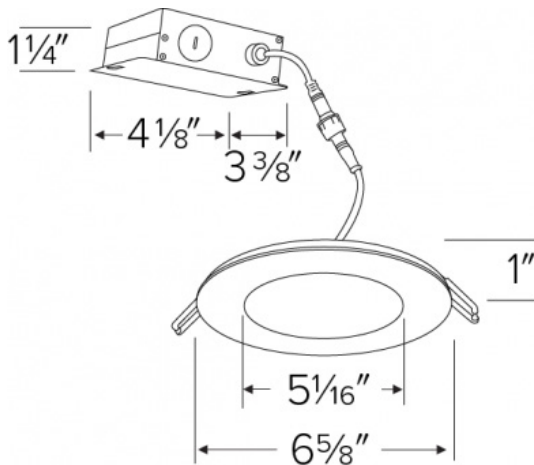
- Power (Watts):** 12 watt
- Input Voltage:** 120V AC
- Brightness:** 700 Lumen
- LED CCT:** 2700K / 3000K / 3500K/ 4000K/ 5000K
- Dimmable:** Yes, Triac/ELV
- IP Rating:** IP65
- Environment:** Wet or Dry Location
- Beam Angle:** 112°
- Diameter:** 6.625 in / 168.28 mm
- Cutout:** 6.25 in / 158.75 mm
- Height:** 1 in / 25.4 mm thick
- Rating:** ETL, ENERGY STAR, IC-Rated, CA Title 24 Compliant
- Avg. Lifetime:** ± 30,000 - 50,000 hours
- Warranty:** 5 years limited

**KEY FEATURES**

- IC Airtight for use with direct contact with insulation.
- Designed to fit in plenums as shallow as 2".
- Eliminates the need for housing.
- New Construction application requires a mounting plate or frame.
- Remodel applications require no additional accessories.
- Wet Location allows for use indoors or outdoors.
- CA Title 24 and ENERGY STAR Compliant.
- Includes driver and Jbox.
- Field Selectable CCT Switch (2700K, 3000K, 3500K, 4000K, and 5000K)

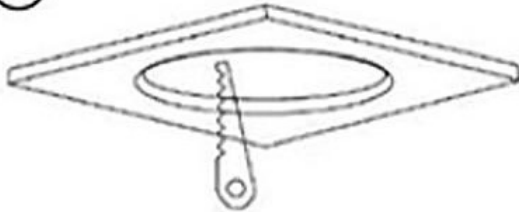
**APPLICATIONS**

- Lighting for Tradeshows, Exhibition, Retail Displays
- Retail Stores, Restaurants, Clubs, Lounges,
- Residential Home Lighting
- LightBox Lighting
- Custom DIY projects



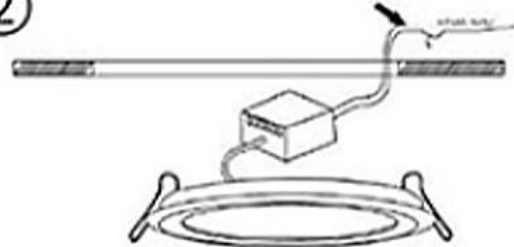
## INSTALLATION

①



Cut out a hole in the ceiling according to the dimension of the panel light

②



Connect the adapter to the main line

③



Place the adapter inside the cut-out ceiling & press the clip upwards by pushing the light panel in.

④



The clips will snap on automatically on release & will fit perfectly to the cut out hole.