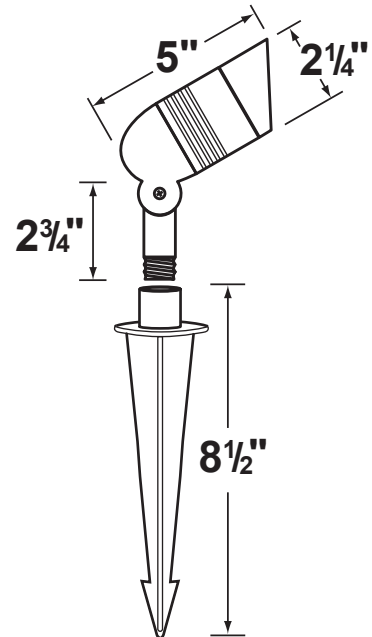


SPECIFICATION SHEET

PRODUCT # : EL-510-BK		•Directional Lights	• Aluminum
Fixture Specifications:			
Housing:	Die-cast aluminum	Gasket:	Silicone gasket for weather-tight sealing.
Finish:	Polyester UV powder coated, BK-Black	Knuckle:	Cast aluminum adjustable knuckle with a phillips shaped screw. 1/2" NPT threaded male hub on bottom.
Lens:	Clear, tempered ad heat resistant glass.	Mounting Spike:	8 1/2" Black ABS spike with 1/2" NPT threaded male hub.
Socket:	Top grade fixed ceramic bi-pin socket with retention clip to securely hold the lamp in place.	Electrical Notes:	A remote 12V transformer is required. Not included Voltage range for LED lamps are 9V-17V. Proper grease/lubricant is suggested on threaded parts during installation process.
Lamp:	12V MR-11, 35W max. Sold Separately	Warranty:	One (1) year warranty on fixture and housing against manufacturer's defects.
Wiring:	Fixture is prewired with a 3ft 18-2 SPT1-W direct burial cord.		



	JOB INFORMATION
	TYPE: _____ DATE: _____
	JOB NAME & ADDRESS: _____
	PRODUCT #:
	TOTAL QUANTITY:
	LAMP TYPE & WATTAGE:
	TRANSFORMER:
	CONTRACTOR:
SPECIFIER:	

• Step 1 Designs reserves the right to make any change and/or improvement to the design and construction of this fixture without further notification.