

## SPECIFICATION SHEET

JOB NAME:

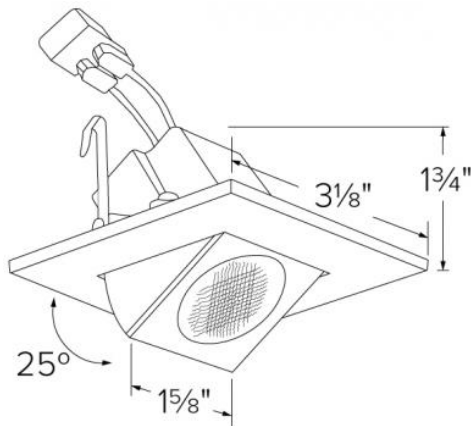
LOCATION:

QUOTE/REF#:



## SPECIFICATIONS

<b>Brightness:</b>	650 Lumens
<b>Power (Watts):</b>	9 Watt
<b>Voltage:</b>	120V AC
<b>LED CCT:</b>	3000K
<b>CRI:</b>	90+
<b>Dimmable:</b>	Yes, Triac/ELV
<b>Environment:</b>	Wet or Dry Location
<b>Dimensions:</b>	3.125 in L x 3.125 in W x 1.75 in H
<b>Finish:</b>	White
<b>Manufacturer:</b>	Elumalight
<b>Rating:</b>	Energy Star, cULus Wet Listed, CEC Title 24, Meets ASTM-E283 Airtight Requirements
<b>Avg. Lifetime:</b>	± 30,000 - 50,000 hours
<b>Warranty:</b>	5 Year Limited



## DESCRIPTION

The 2 in. LED Square Adjustable Trim is suitable for use with a 2 in. recessed housing. It produces even illumination without diode image and swivels up to a 25° angle. Suitable for use in fixtures installed in insulated ceilings, new construction, re-model housings, and 2 in. recessed fixtures installations with 2-wire connector.

The low profile unit is CA Title 24 compliant, meets ENERGY STAR requirements, and UL wet listed. It produces 650 lumens at 90+ CRI. Available in Warm White 3000K.

## KEY FEATURES

- Easy to Install
- Even Lighting Illumination
- Low-heat dissipation
- Long lifespan 50000 hours
- Energy Star Listed
- cULus Wet Listed
- CEC Title 24 Listed
- Meets ASTM-E283 Air Tight requirements

## APPLICATIONS

- LED Bathroom Lighting
- Residential Ceiling Down Lighting
- Commercial Ceiling Down Lighting
- Living Room Lighting
- Office Lighting
- LED Kitchen Lighting
- Pot Lights

