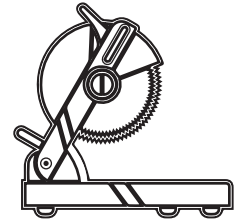
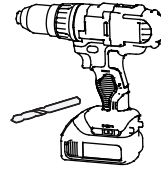
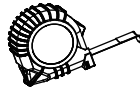
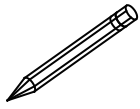


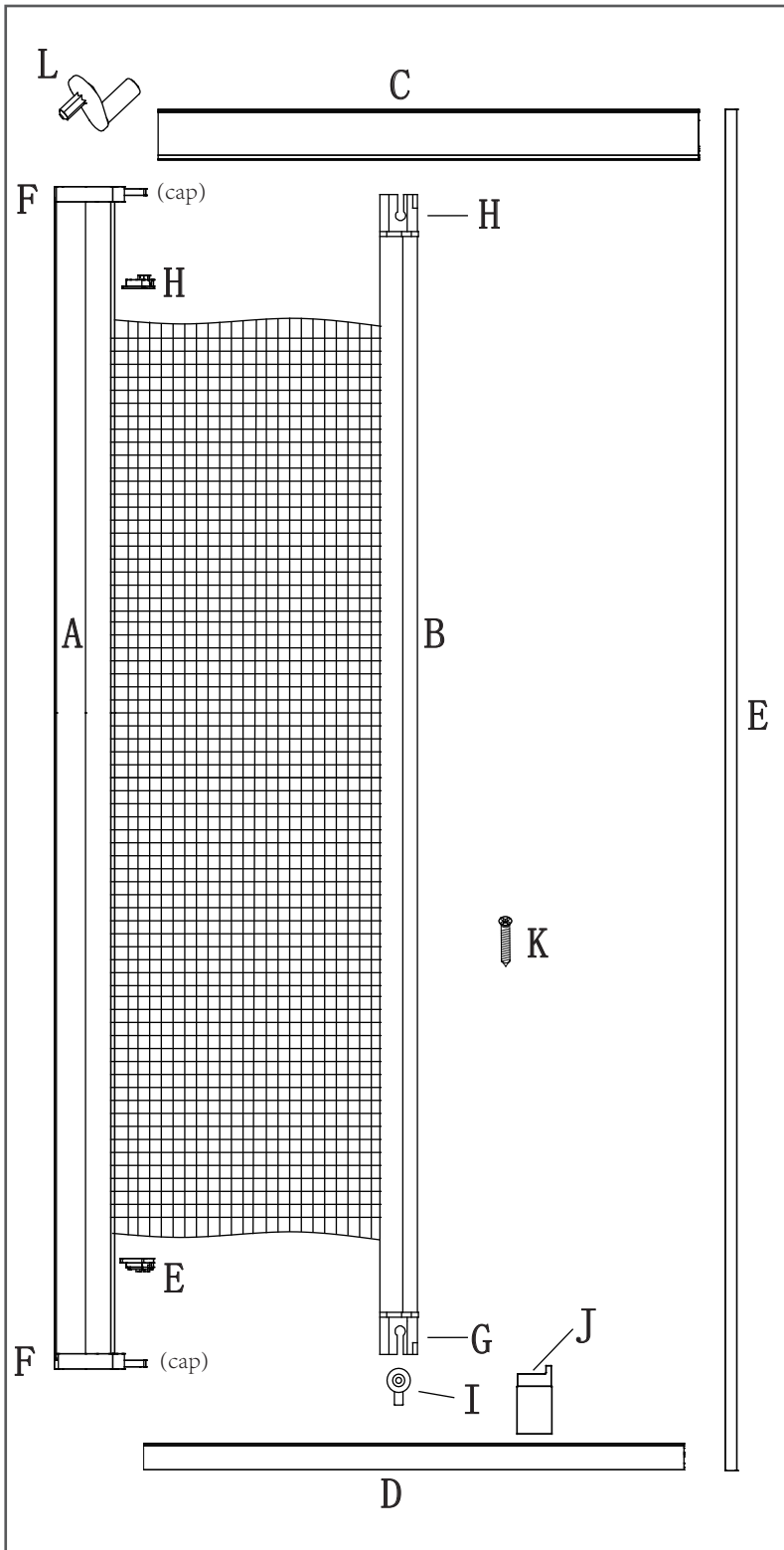
Recommend tools



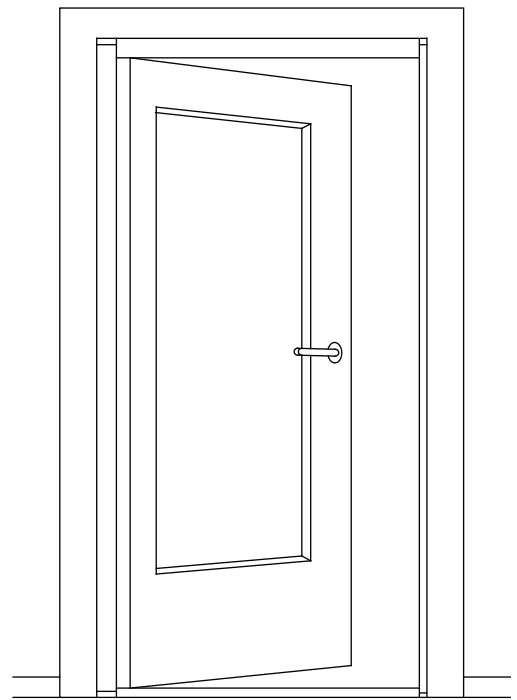
Use power tools with caution and wear protective equipment.



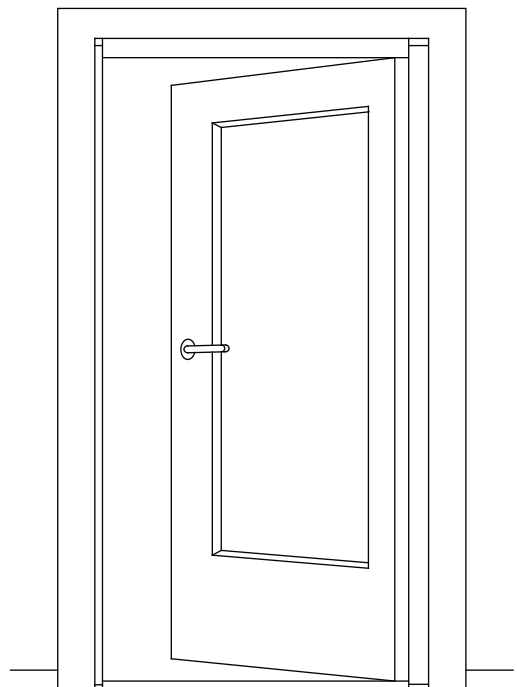
Use of drop saw with blade for aluminium cutting is essential.



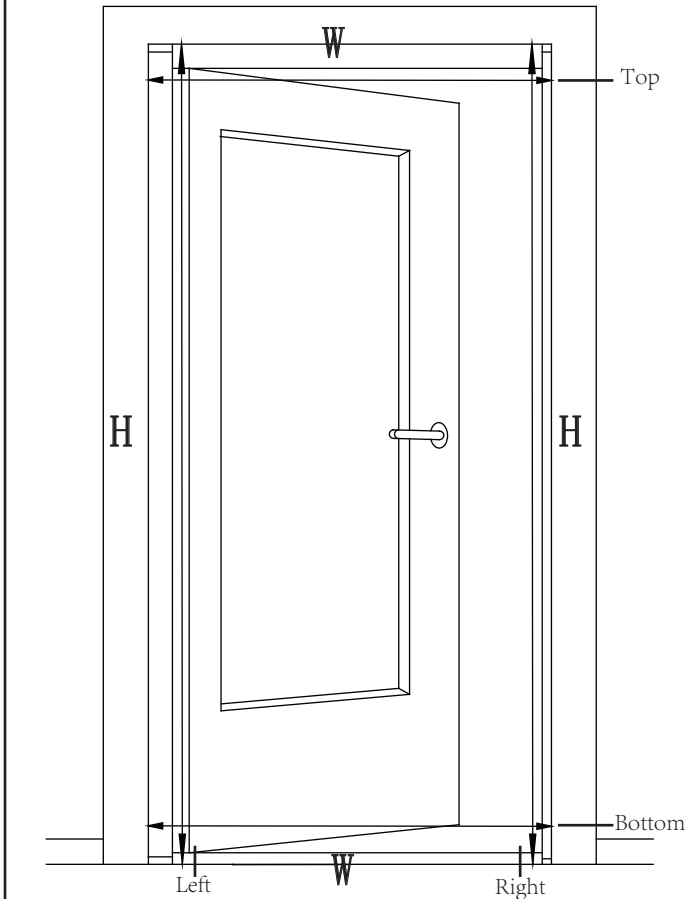
Left opening - in/out installation



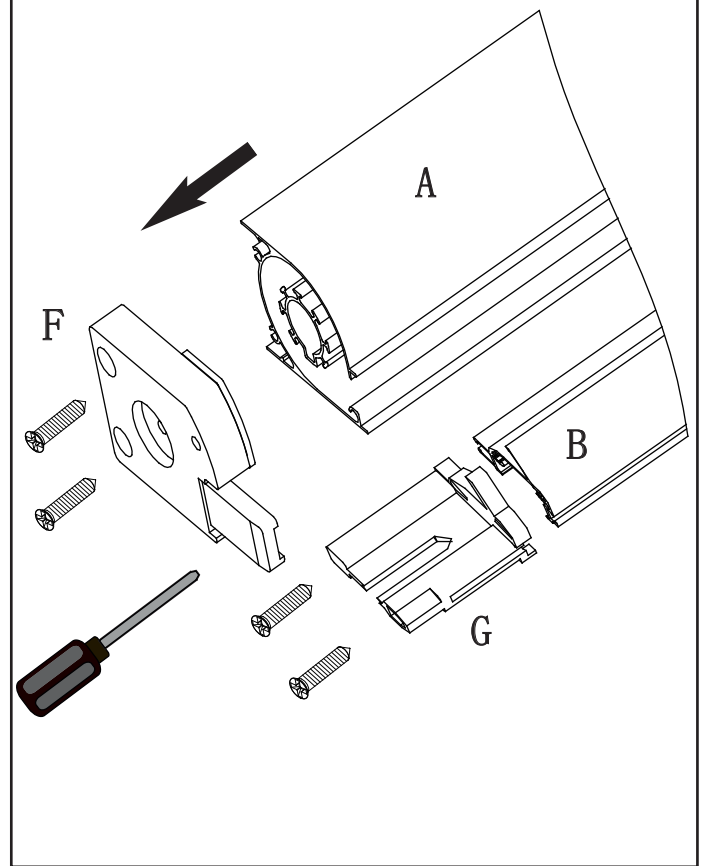
Right opening - in/out installation



1 How to measure

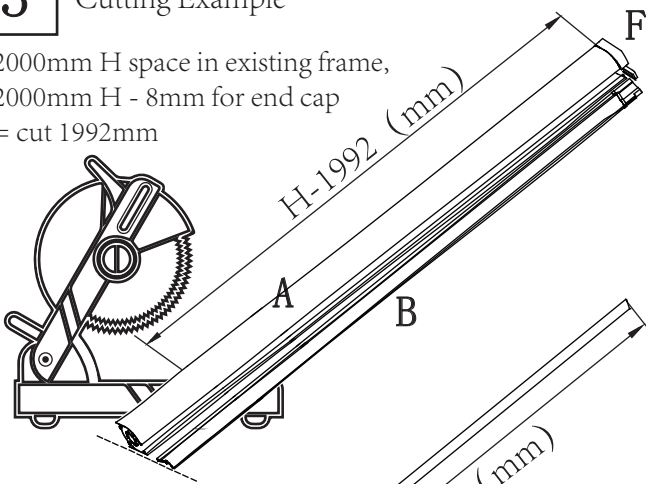


2 Disassembling cassette - only on the side with attached measuring tape.

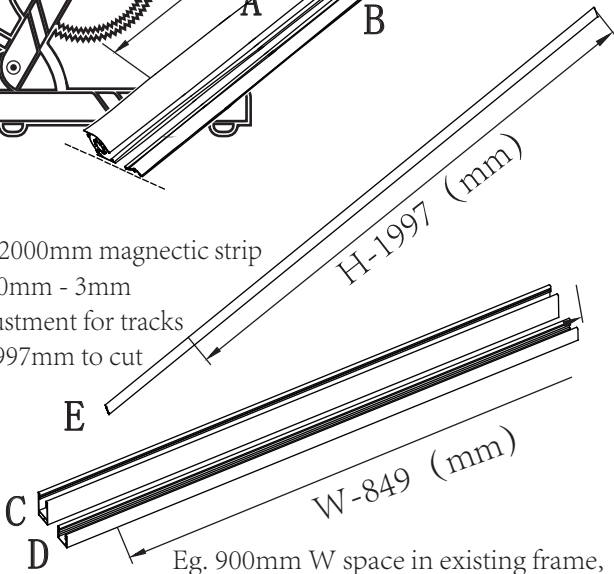


3 Cutting Example

2000mm H space in existing frame,
2000mm H - 8mm for end cap
= cut 1992mm

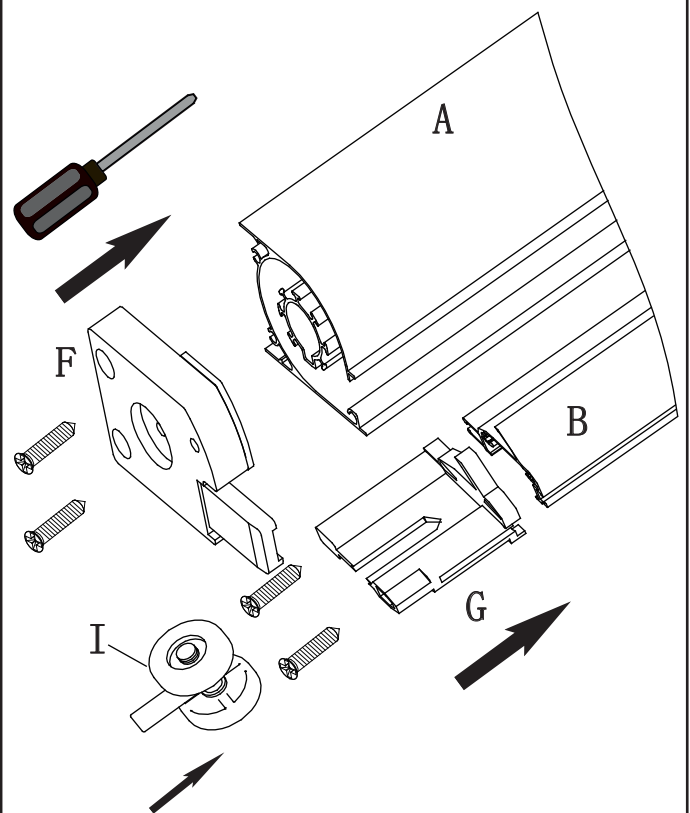


Eg. 2000mm magnetic strip
2000mm - 3mm
adjustment for tracks
= 1997mm to cut



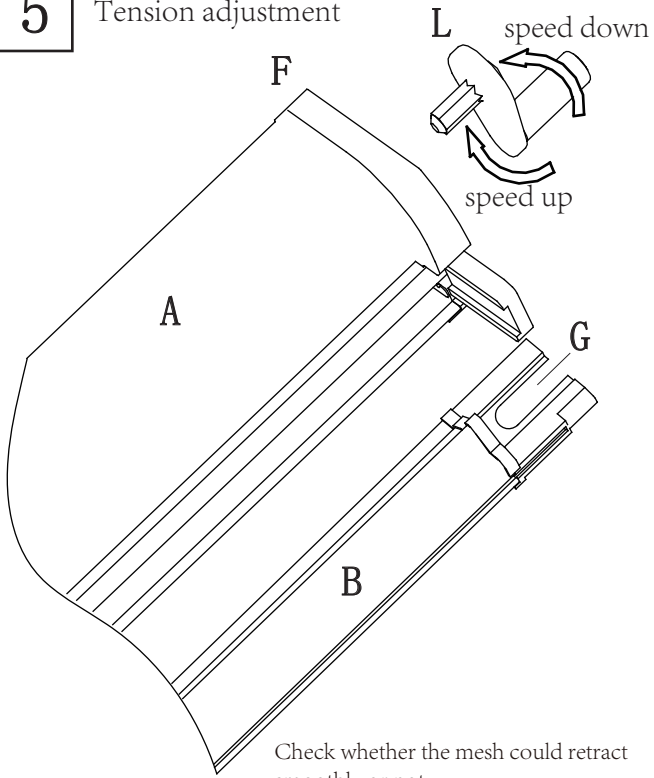
Eg. 900mm W space in existing frame,
900mm W - 51mm = cut 849mm
adjusted for end cap magnetic strip

4 Assembling cassette



5

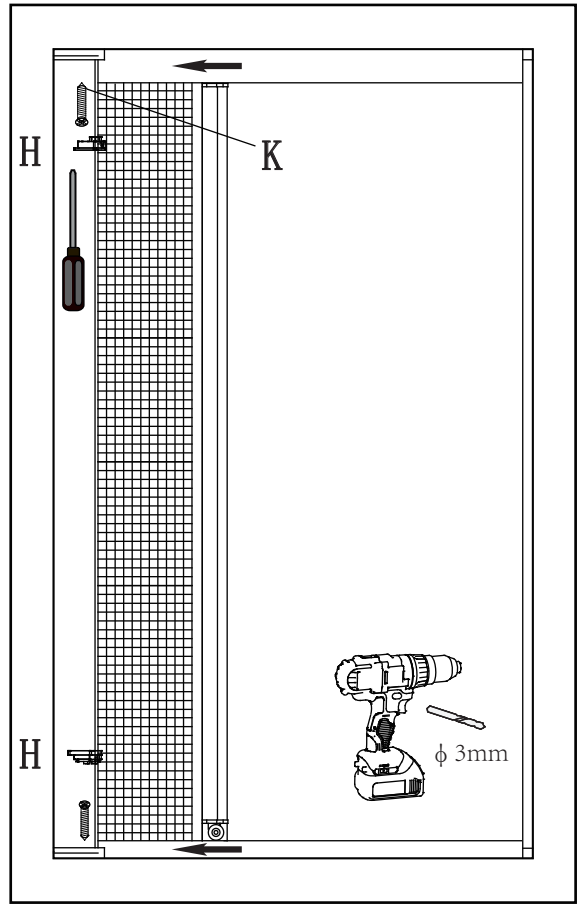
Tension adjustment



Check whether the mesh could retract smoothly or not.
 If retract too fast, turn the handle clockwise to lessen the spring tension.
 If retract too slow, turn the handle counter clockwise to add tension (max 5 circles).
 Warning: The tension is factory adjusted, no need to adjust it in most situation.

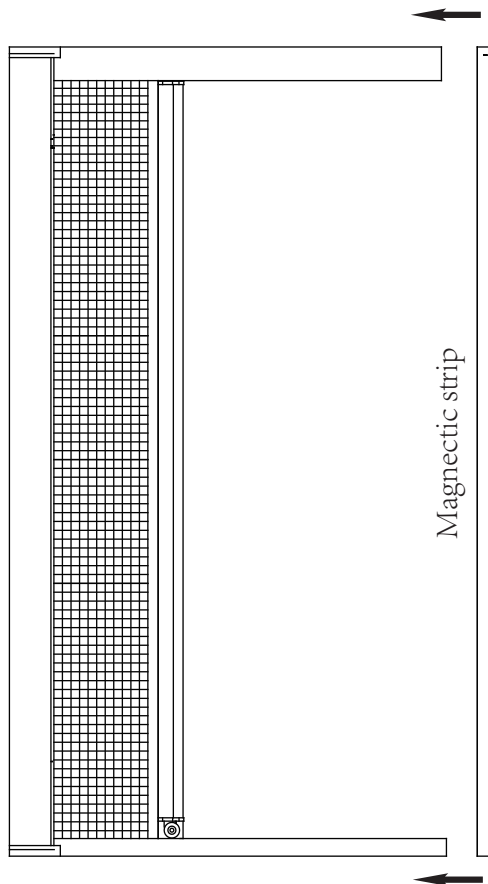
6

Fastening cassette



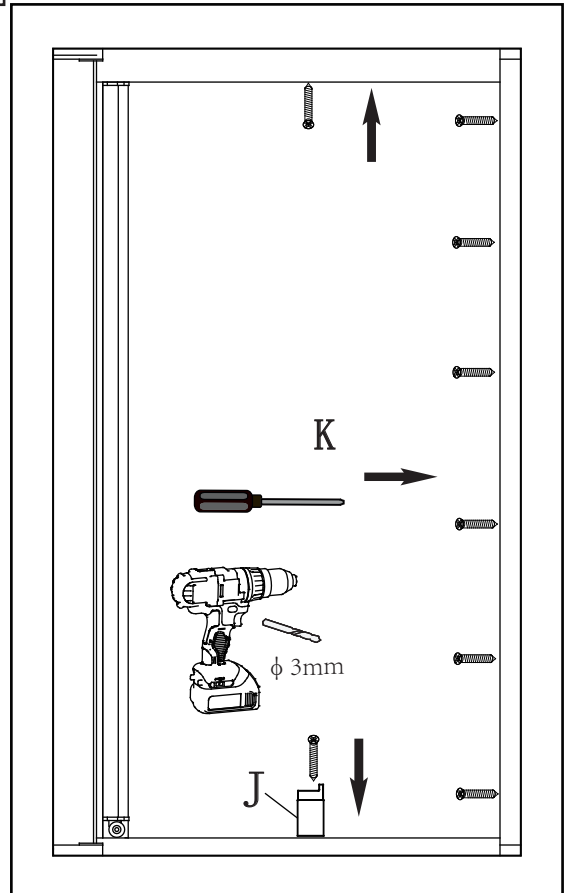
7

Sliding bottom and top tracks into cassette

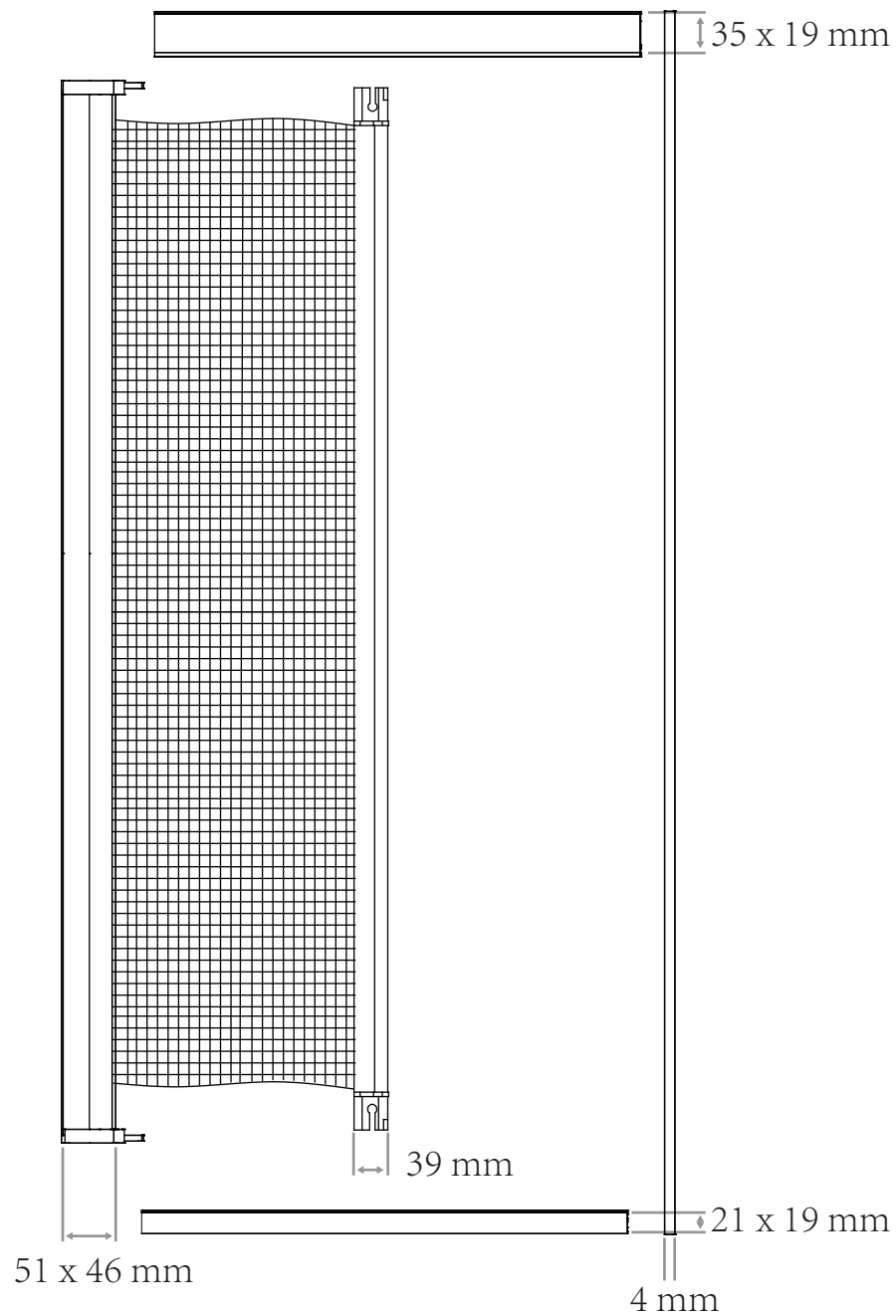


8

Fastening tracks



DOOR SCREEN DIMENSIONS



Please watch Ezy Screens installation video on our website:

ezyscreens.com.au