

KANNOA

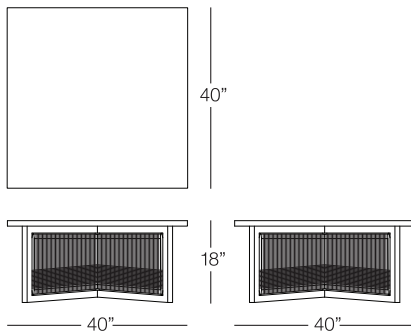
SAWAI



Shown in Graphite Aluminum, Field Stone and Granite Rope, and Graphite HPL Tabletop
(Pieces may be available in different finishes. Please refer to the Materials section)

Coffee Table

SAW502



SPECS & DIMENSIONS

Overall: w: 40" d: 40" h: 18"
Seat Height: N/A Arm Height: N/A
Weight: 20 Lbs.

Notes:

MATERIALS & CERTIFICATIONS

- Aluminum: Powder Coated / Welded Joint
- Wicker: High Density Polymers
- Fabric: 100% Acrylic **sunbrella**
- Sling: PVC Sling **Serge Ferrari**
- Faux Wood: Polypropylene Slats
- Cement: Fiber Reinforced Cement
- Glass: Tempered Glass
- Rope: Solution Dyed Acrylic



Outdoor Safe



100% Recyclable



Fire CA-117



Water Resistant