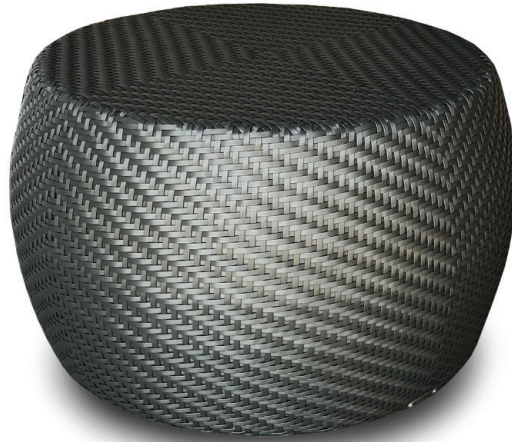


# KANNOA

## CONGO

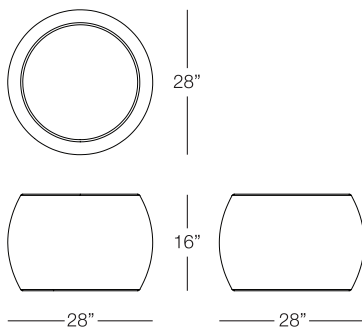


Shown in Graphite Wicker

*(Pieces may be available in different finishes. Please refer to the Materials section)*

### Coffee Table

COL502



#### SPECS & DIMENSIONS

Overall: dia:28" h:16"  
Seat Height: N/A Arm Height: N/A  
Weight: 15 Lbs.

Notes:

#### MATERIALS & CERTIFICATIONS

- Aluminum: ✓ Powder Coated / Welded Joint
- Wicker: ✓ High Density Polymers
- Fabric: ✓ 100% Acrylic **sunbrella**
- Sling: ✗ PVC Sling **Serge Ferrari**
- Faux Wood: ✗ Polypropylene Slats
- Cement: ✗ Fiber Reinforced Cement
- Glass: ✗ Tempered Glass
- Plastic: ✗ Polypropylene & Polyethylene



Outdoor Safe



100% Recyclable



Fire CA-117



Water Resistant