

PRODUCT CODE:EHST240N

DATE:08-JAN-2018

REVISION NUMBER:01

These drawings and specifications are the property of Instockpack and shall not be copied, reproduced or used in any manner without the prior consent of Instockpack.



LEGEND

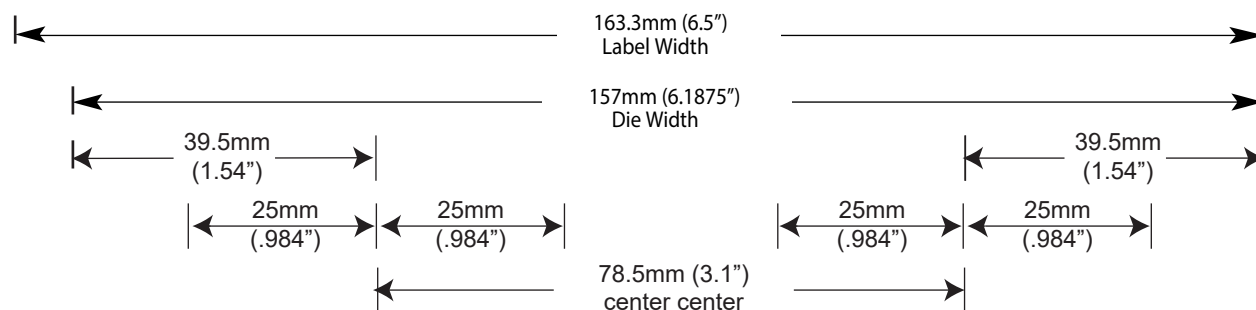
Shoulder Margin	4mm
Open End Margin	10mm
Eye-Mark size	2mm x 6.35mm

GENERAL INSTRUCTION

- All copy must be 2mm below eye-mark.
- Keep eye-mark path free of copy and graphics.
- All panels are shifted by 6.35mm from the crimp axis to move the overlap onto the back panel.
- Label corner radius is 3mm.

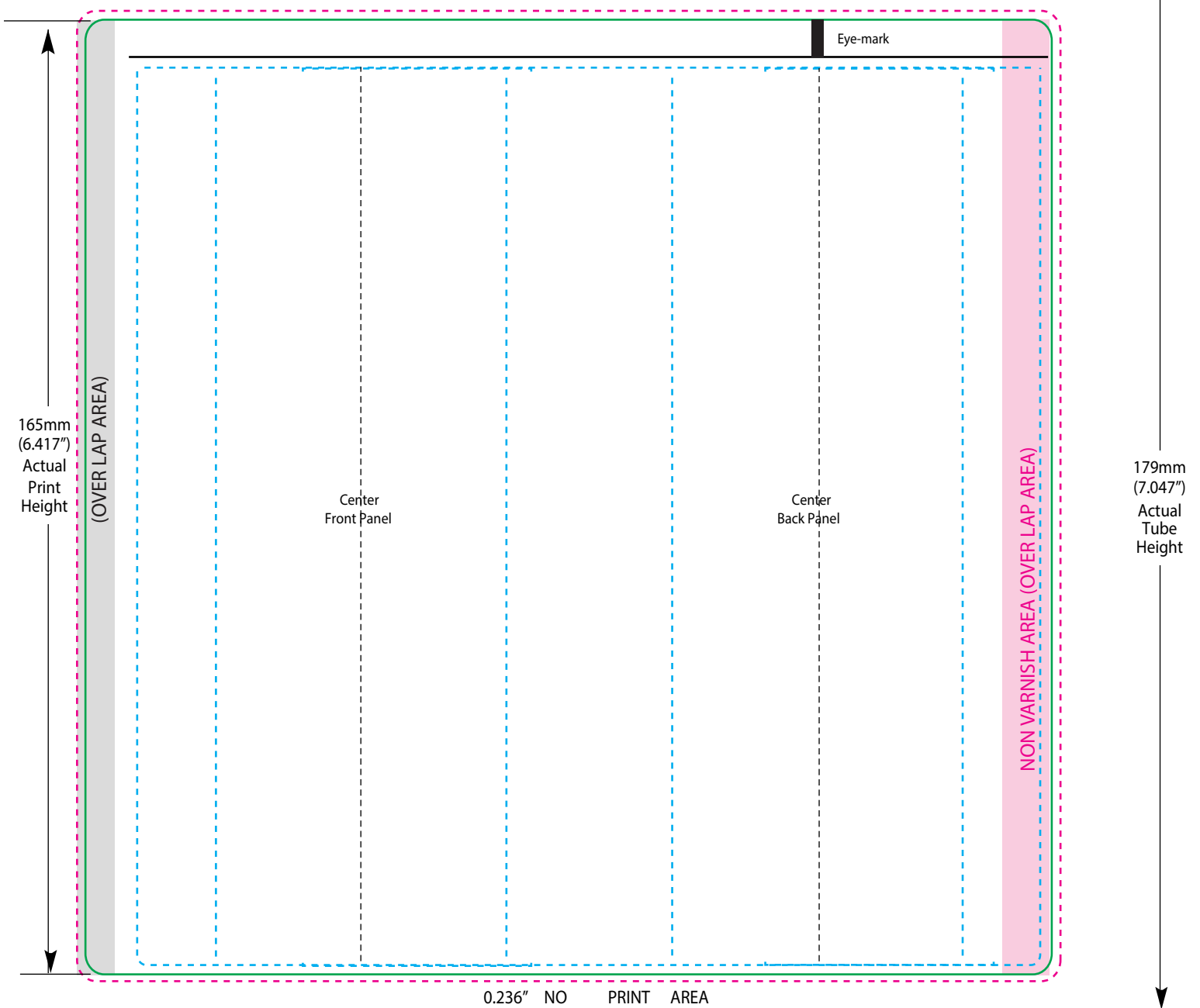
- Label Area
- 1/16" bleed for die cut
- Live copy area
- .25" no coating area
- .25" (Over lap)

Unwind Direction



RCR

0.394" NO PRINT AREA



CAP END



PRODUCT CODE: EHST240-5N

8oz Stock Tube

TUBE SIZE: 60mm x 179mm

DIE LINE TYPE: Label overlap 6.35mm

DATE: 07-JUN-2018

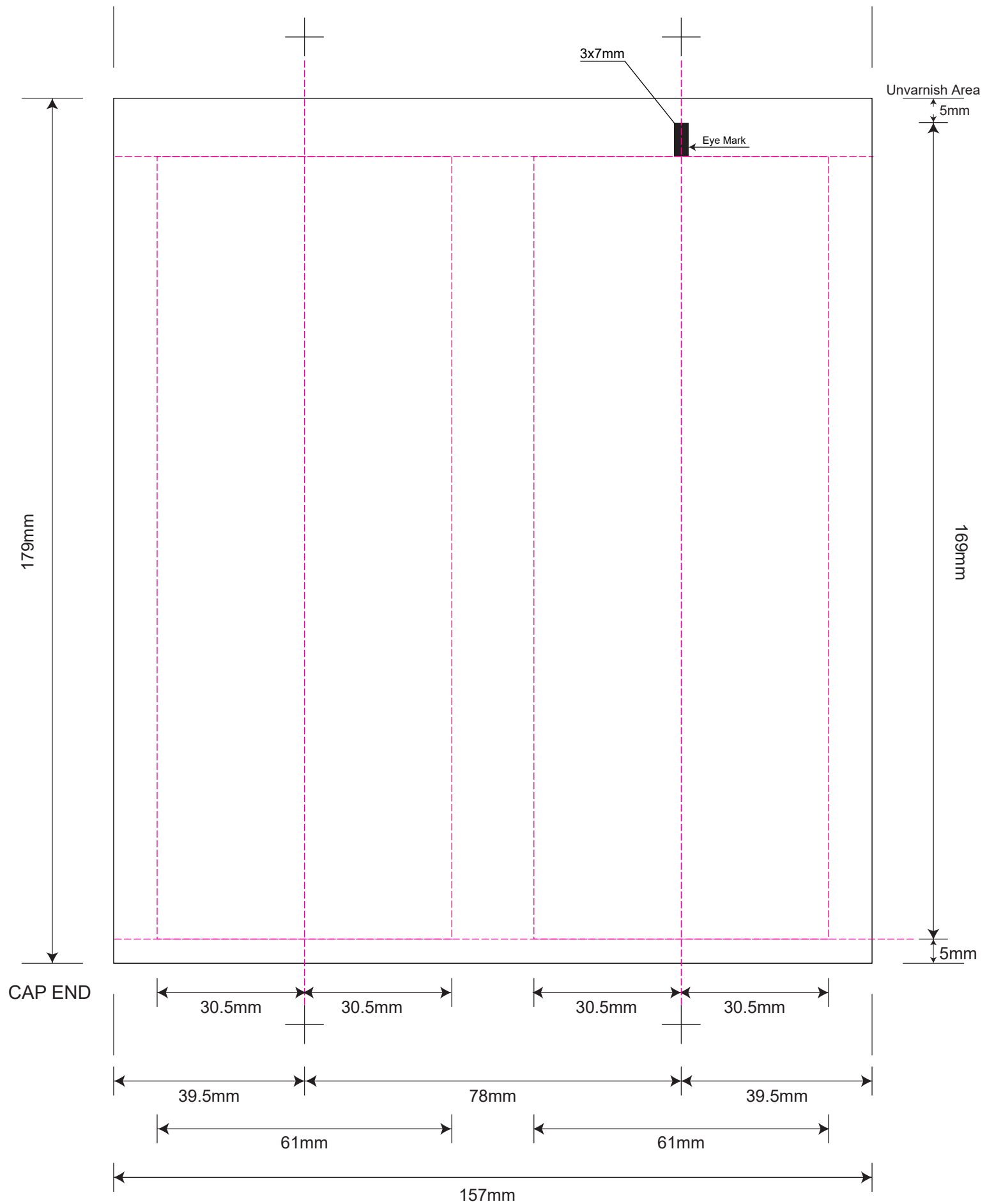
Please include a PDF, list of colors, and convert text to outlines when submitting.

These drawings and specifications are the property of Instockpack and shall not be copied, reproduced or used in any manner without the prior consent of Instockpack.

instockpack.

LEGEND	
Shoulder Margin	4mm
Open End Margin	5mm
Eye-Mark size	3x7mm

GENERAL INSTRUCTION
<ul style="list-style-type: none"> All copy must be 2mm below eye-mark. Keep eye-mark path free of copy and graphics



PRODUCT CODE: EHST240-5N

8oz Stock Tube

TUBE SIZE: 50mm x 179mm

DIE LINE TYPE: Silk Screen

DATE: 07-JUN-2018

Please include a PDF, list of colors, and convert text to outlines when submitting.

These drawings and specifications are the property of Instockpack and shall not be copied, reproduced or used in any manner without the prior consent of Instockpack.

instockpack.