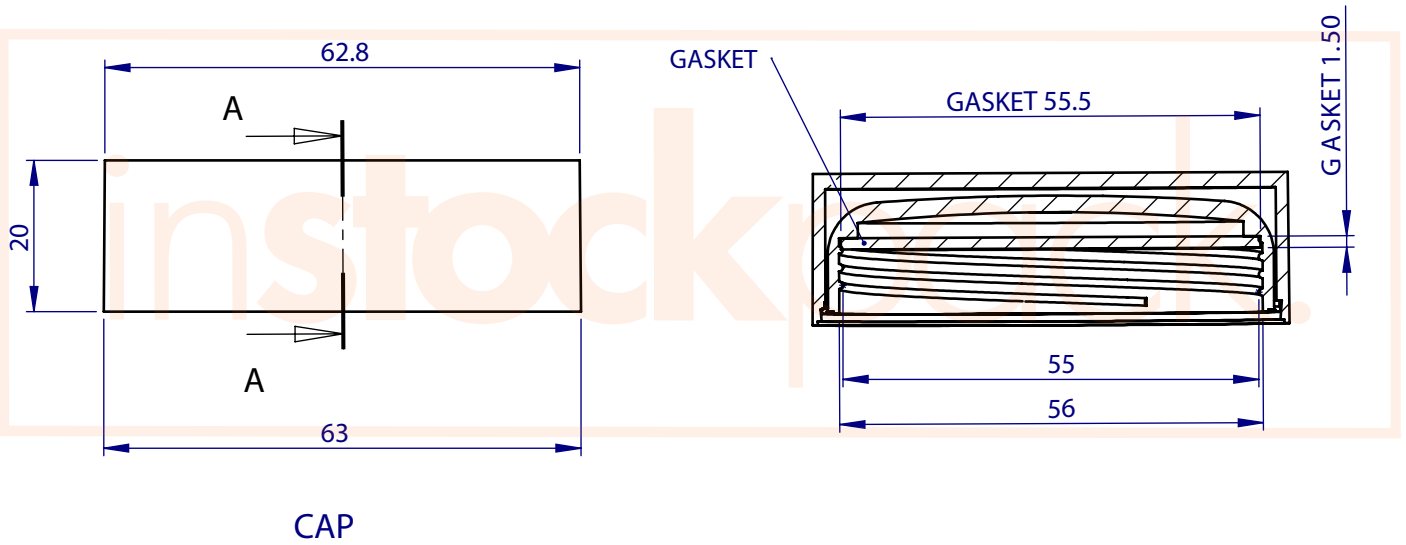
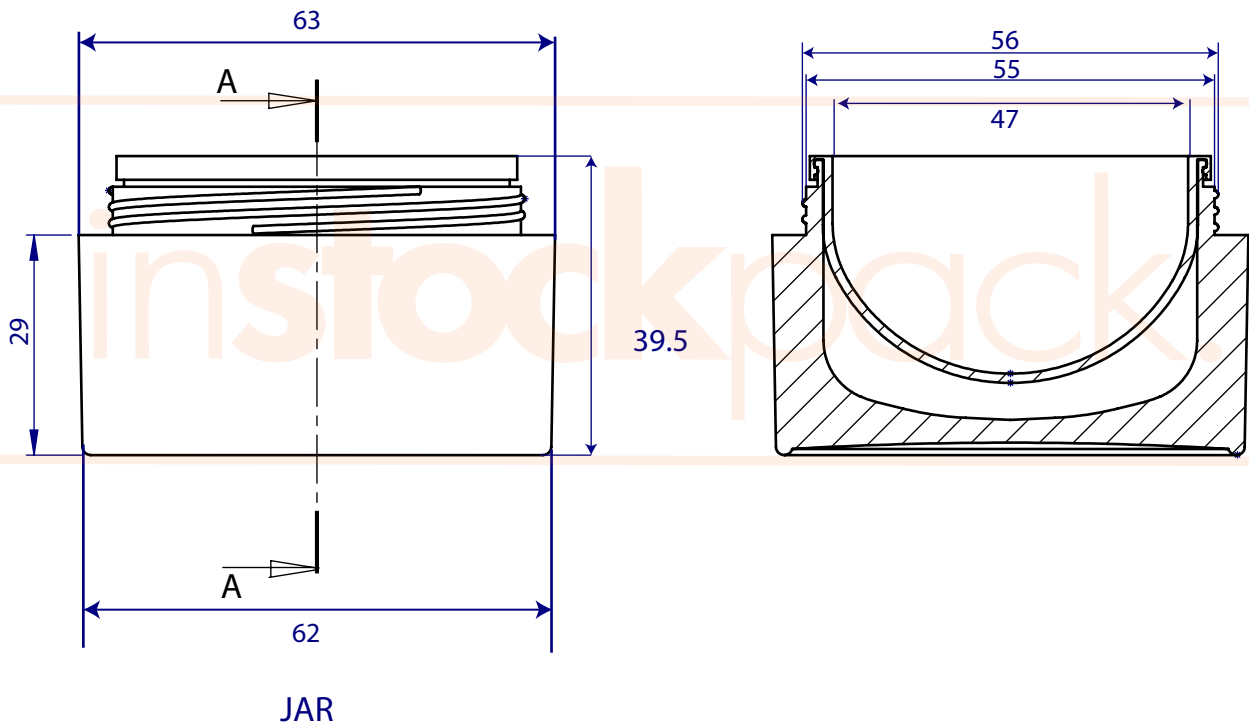


JAR & CAP



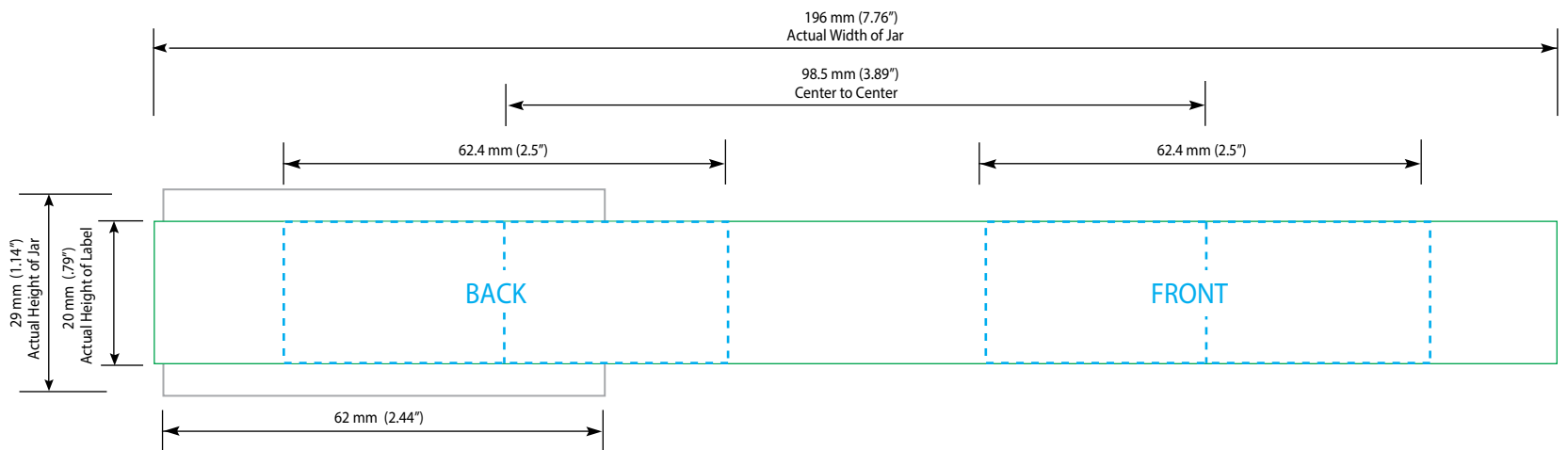
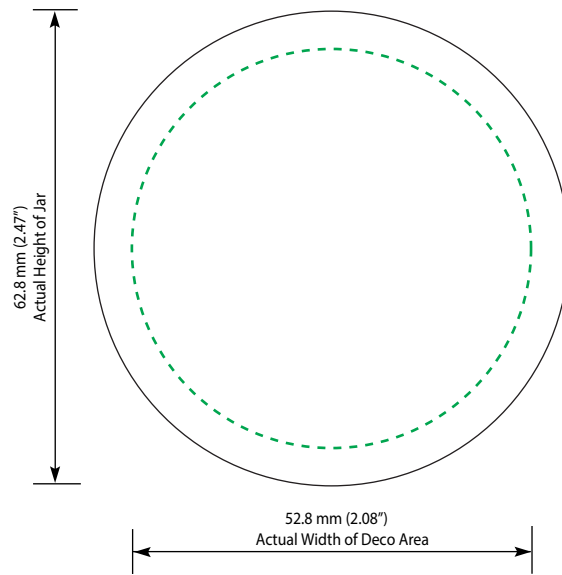
PRODUCT CODE: EHST30WJ

DATE: 08-JAN-2018

REVISION NUMBER: 01

These drawings and specifications are the property of Instockpack and shall not be copied, reproduced or used in any manner without prior consent of Instockpack.





PRODUCT CODE: EHST30WJ

30ml JAR & CAP

JAR SIZE: 62mm 39.5mm

DIE LINE TYPE: SILK SCREEN

DATE: 07-JUN-2018

GENERAL INSTRUCTIONS:

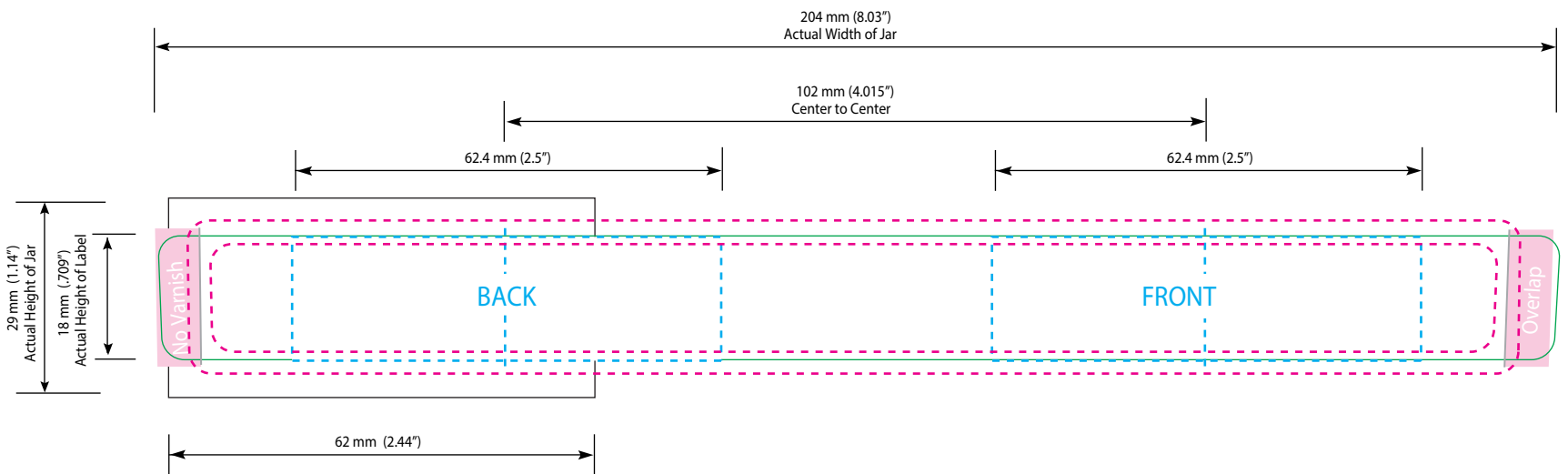
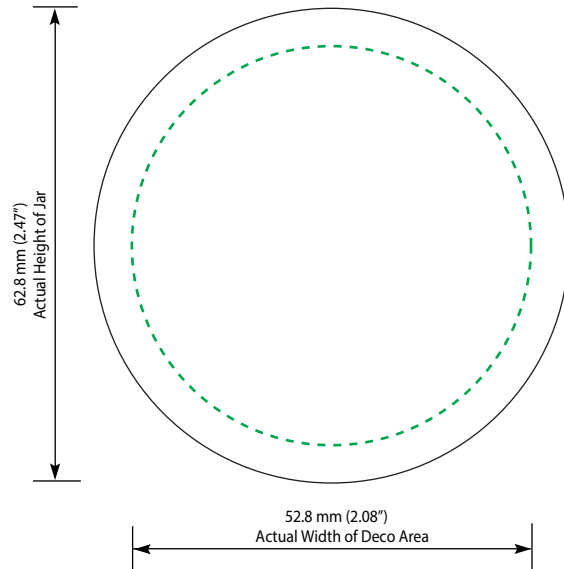
Please include a PDF, list of colors, and convert text to outlines when submitting.

These drawings and specifications are the property of Instockpack and shall not be copied, reproduced or used in any manner without the prior consent of Instockpack.



← Unwind Direction

- Label Area
- ⋯ Live copy area
- ⋯ 1/16" bleed for die cut
- .25" No Varnish



PRODUCT CODE: EHST30WJ

30ml JAR & CAP

JAR SIZE: 62mm 39.5mm

DIE LINE TYPE: LABEL WITH OVERLAP

DATE: 07-JUN-2018

GENERAL INSTRUCTIONS:

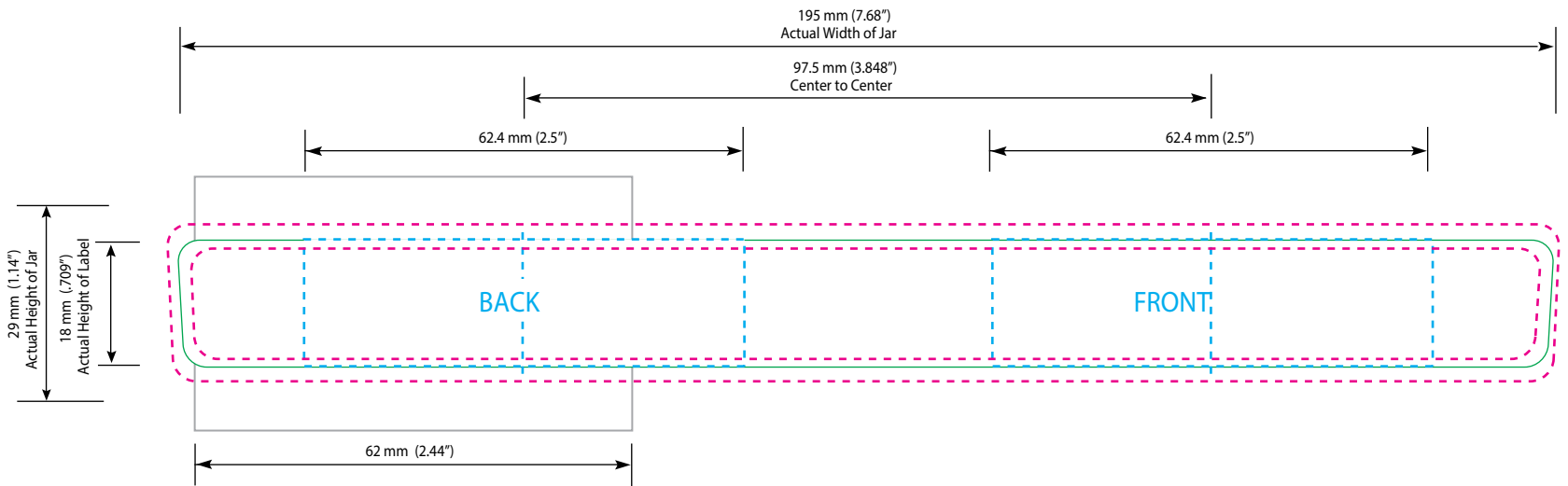
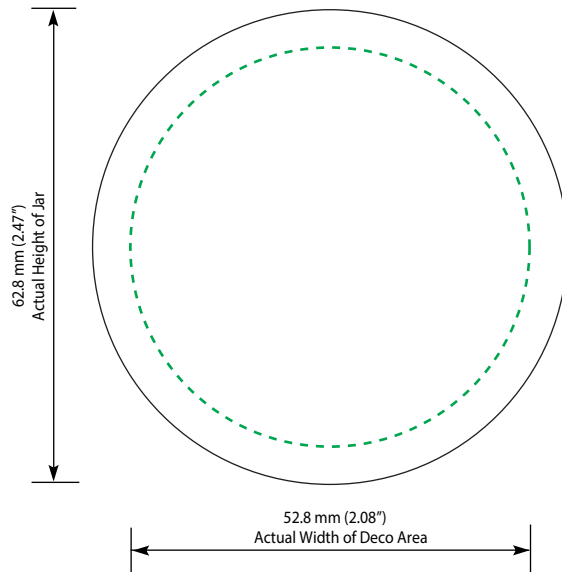
Please include a PDF, list of colors, and convert text to outlines when submitting.

These drawings and specifications are the property of Instockpack and shall not be copied, reproduced or used in any manner without the prior consent of Instockpack.



← Unwind Direction

○ Label Area    ○ Live copy area    ○ 1/16" bleed for die cut



PRODUCT CODE: EHST30WJ

30ml JAR & CAP

JAR SIZE: 62mm 39.5mm

DIE LINE TYPE: LABEL WITH GAP

DATE: 07-JUN-2018

GENERAL INSTRUCTIONS:

Please include a PDF, list of colors, and convert text to outlines when submitting.

These drawings and specifications are the property of Instockpack and shall not be copied, reproduced or used in any manner without the prior consent of Instockpack.

