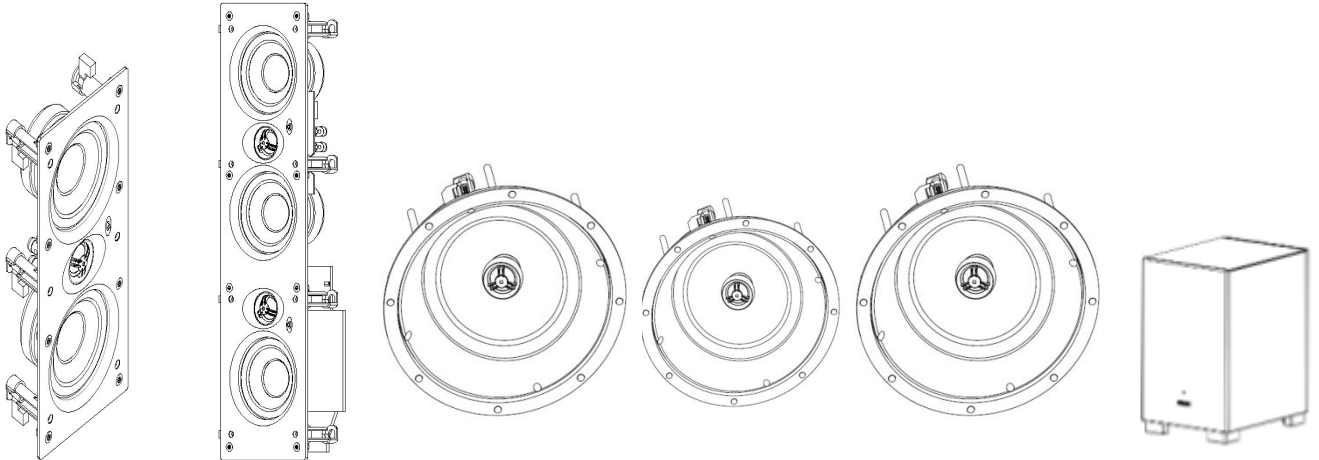


# JENSEN®

## The Ultimate In-Wall / In-Ceiling Speakers



**Elite-203**  
In-Wall

**Elite-303**  
In-Wall

**Elite-404**  
In-Ceiling

**EHT-3**  
In-Ceiling

**EHT-9**  
In-Ceiling

**EHT-707**  
Subwoofer  
(Separate manual)

**Congratulations in investing in the very best In-Wall/Ceiling Speaker systems on the planet. You will find this information valuable for the long-term enjoyment of your new JENSEN Speaker System.**

**Check for damage:** We know you will be eager to install your new JENSEN Speakers, however please firstly inspect your units for any damage. Contact details are on back page if necessary.

**Supplied:**



**Not supplied**



Wall cut tool



Philips screw driver



Hi-Grade  
Specialised In-Wall  
In-Ceiling Cable.  
Cable  
For use



Stud Finder

**Cavity needed inside  
Wall/Ceiling**

Elite-203: 62mm

Elite-303: 75mm

Elite-404: 140mm

EHT-3: 130mm

EHT-9: 140mm

Actual cavity needed (min)

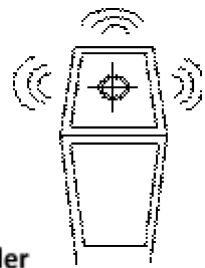
**Break in Period:** Premium grade parts and materials have been used in these products so maximum performance can be obtained in damp and dusty environments such as wall and ceiling cavity. Break In period is appx 10-20 playing hours after which time cones will loosen and Bass will improve. There is no need to limit playback volume at all during this time.

## Installation:

### Step 1: Advanced Planning

Decide the placement for your speakers. Advance planning in regards to the placement of your speakers is critical. It is imperative that the wall or ceiling cavity be free from debris, moisture, insulation, and any other materials that are easily combustible. The mounting location must also be void of wall studs or bracing in the location for the cutout. Ensure mounting depth required (see Page 1) to allow speakers to fit flush to the wall or ceiling surface is important. If you are unsure of the contents of the wall in which you wish to mount the speakers, Electronic Stud Finders (FIG 1) work very well otherwise a professional installer or any qualified Electrician can assist here.

Stud Finder



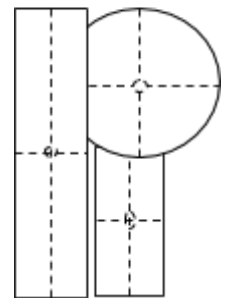
### Step 2: Fitting Glass covers.

**Elite-203/303:** Ensure all 8 pins align before gently pressing glass panel in to rubber bushes. When removing, pull glass a little from top, then from bottom and remove evenly.

**Elite-404/EHT-3/EHT-9:** Grill will self-click into place.

### Step 3: Template:

Use the supplied template and mark the cut-out on the wall or ceiling. To mark simply trace with a pencil, along perforated line (See FIG 2). Ensure your markings are level and parallel.



### Step 4: Cutting the Wall / Ceiling

Using the appropriate Gyprock/Plaster wall-cutting tool, blade or Stanley knife, accurately cut the hole in the wall based on correct cutting dimension (see FIG 3) and Template provided inside carton.

### Step 5: Certified CL-2 Speaker Leads

All In-Wall and In-Ceiling Speakers must use certified CL2 Speaker Lead. Our **Oxygen Free, Heavy Duty 14 Gauge Speaker Lead with protective outer jacket** are ideal for such locations. The Outer-jacket shielding protects against unwanted interference and hum sometimes induced by surrounding electrical wires as well extra protection from possible hungry rodents. Purchase in 50 Mtr rolls freight-free from website.

**For 203/404/EHT-3/EHT-9,** from your AV Receiver run one speaker cable thru the wall/ceiling to each Left and Right speaker (see FIG 4).

**For Elite-303,** run TWO speaker cables thru the wall/ceiling to each Elite-303 as this model has inbuilt Centre/Left and Centre/Right speakers as well as Left and Right. (See FIG 5 and FIG 7). In both cases, leave enough slack in the wire so that it can hang out of the hole.

### Step 6: Red to Red & Black to Black

Connect the speaker wire from the positive (RED+) terminal on the receiver to the positive (RED+) terminal on the speaker. Ditto with all negatives (BLACK-). Note: If you inadvertently reverse one of the connections (i.e. RED to BLACK) you will notice a severe lack of Bass†from your system. This is called “Out of Phase”. If this occurs, check the wiring and reconnect immediately.

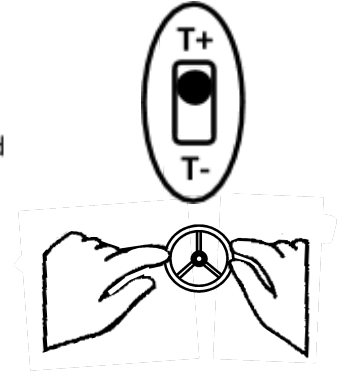
## Step 7: Mounting Speakers

Insert the entire speaker into the hole. Move Speaker wire well-away from back of cone to avoid a possible rattle or vibration. Using a Phillips head screwdriver, tighten the screws attached to the dog clamps until you feel Dog Clamps take grip (**9~10 FULL TURNS**). At this point you can see the gap between Speaker Frame and wall/ceiling close fully. Then, **NIP THESE UP - DO NOT OVERTIGHTEN**. See FIG 6. Note: If you are unable to install these speakers yourself, any licensed electrician can easily do this for you.

## Sound Settings

**Boost switch.** Elite-203/303 models are fitted with Treble switches. Adjust, set-and-forget to suit your sound preference. If using a Subwoofer set to (+) to fully maximize performance. Note: In-ceiling speakers have no switches and are factory preset to Max (+) Boost.

**Eyeball Tweeters.** You can adjust the angle of the Tweeter slightly in order to compensate for poor mounting locations. Do this by adjusting Tweeter casing. **DO NOT touch the Tweeter** in any way as permanent damage may occur.

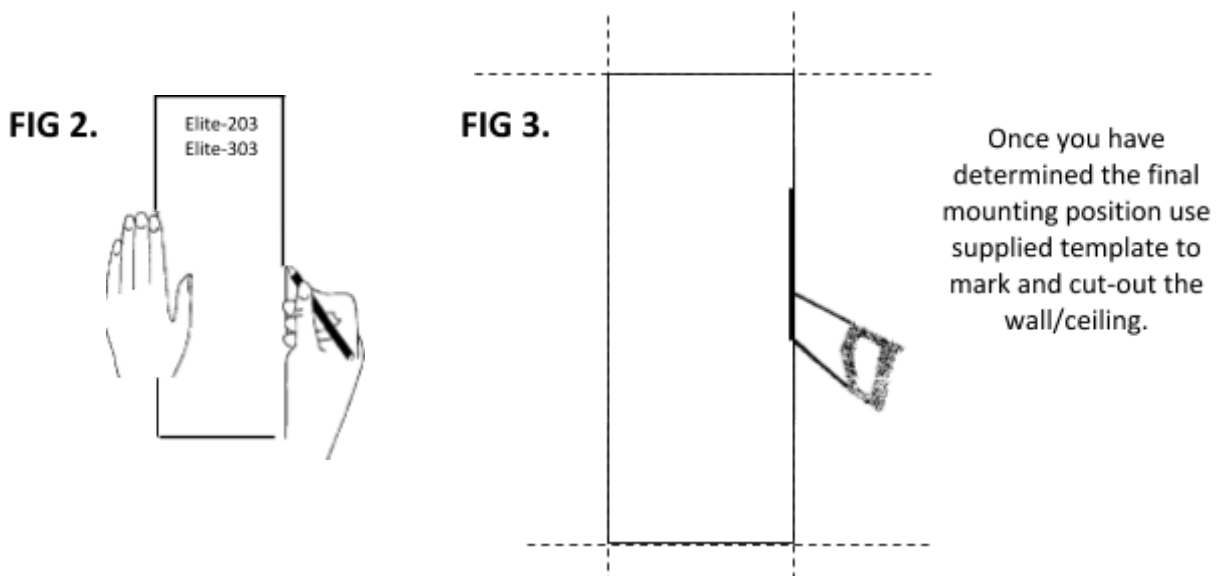


## Matching Subwoofer

**EHT-707** 160 Watts RMS, Monster 10" with huge performance

**Note: Earplugs are supplied with each model in order to remain on good terms with neighbours...**

## Elite-203 / 303



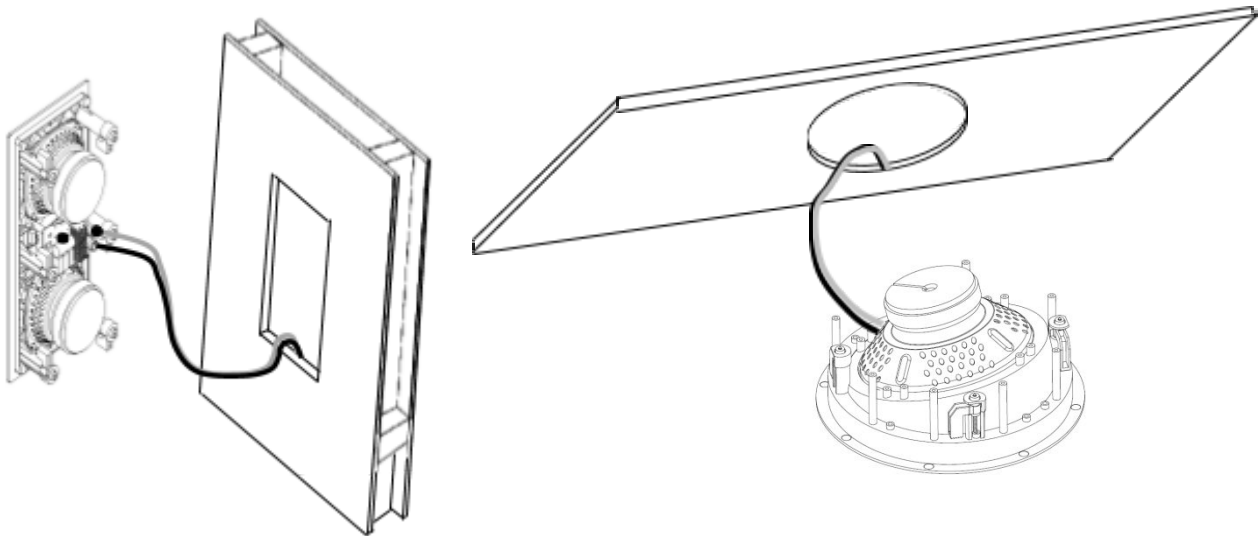
**TIPS:**

- ✓ 1. Use Laser level or Spirit level to ensure template is perfectly square.
- ✓ 2. Use a Stud Finder to Pre-plan your locations.
- ✓ 3. Both ends of Speaker Leads must be + to + & - to -.
- ✓ 4. Do not use Battery Drill.

**Elite - 203 / 404 & EHT-3/9**

Run **1 Speaker lead** to each Left & Right Speaker.

**FIG 4.**



**Elite-303**

**FIG 5.** Run **2 Speaker leads** to each Left & Right Speaker. (also see FIG 7)

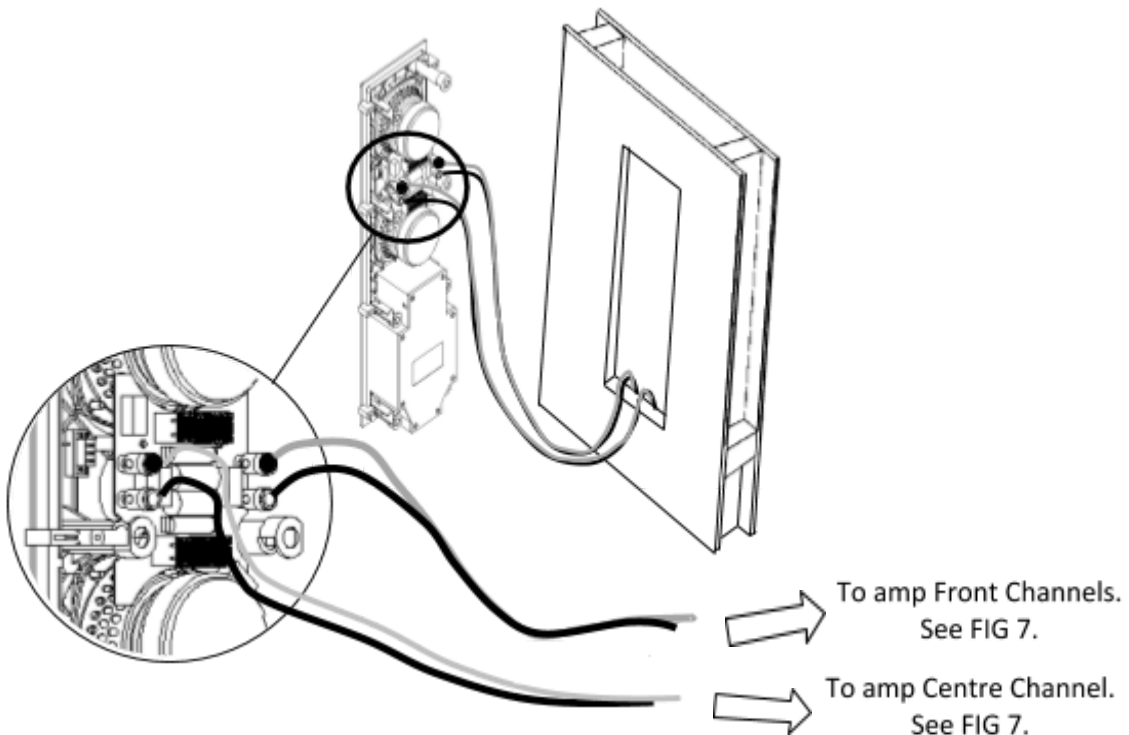
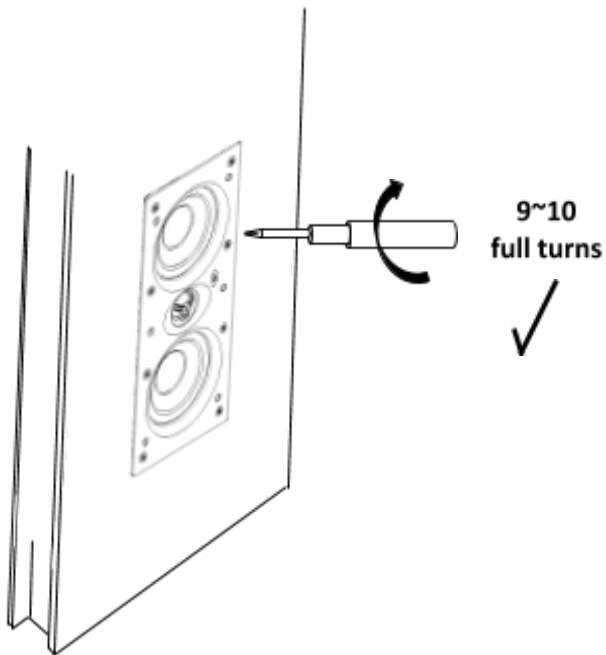
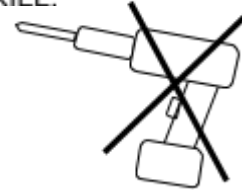


FIG 6.



**TIPS:**

- 9~10 Full Turns.
- With a screw cutting a new plastic thread, the first few turns may appear stiff. It will become easier.
- The trick is to gently close the gap between Speaker panel and wall.
- Then NIP THESE SCREWS UP - **DO NOT OVERTIGHTEN.**
- **DO NOT USE BATTERY DRILL.**

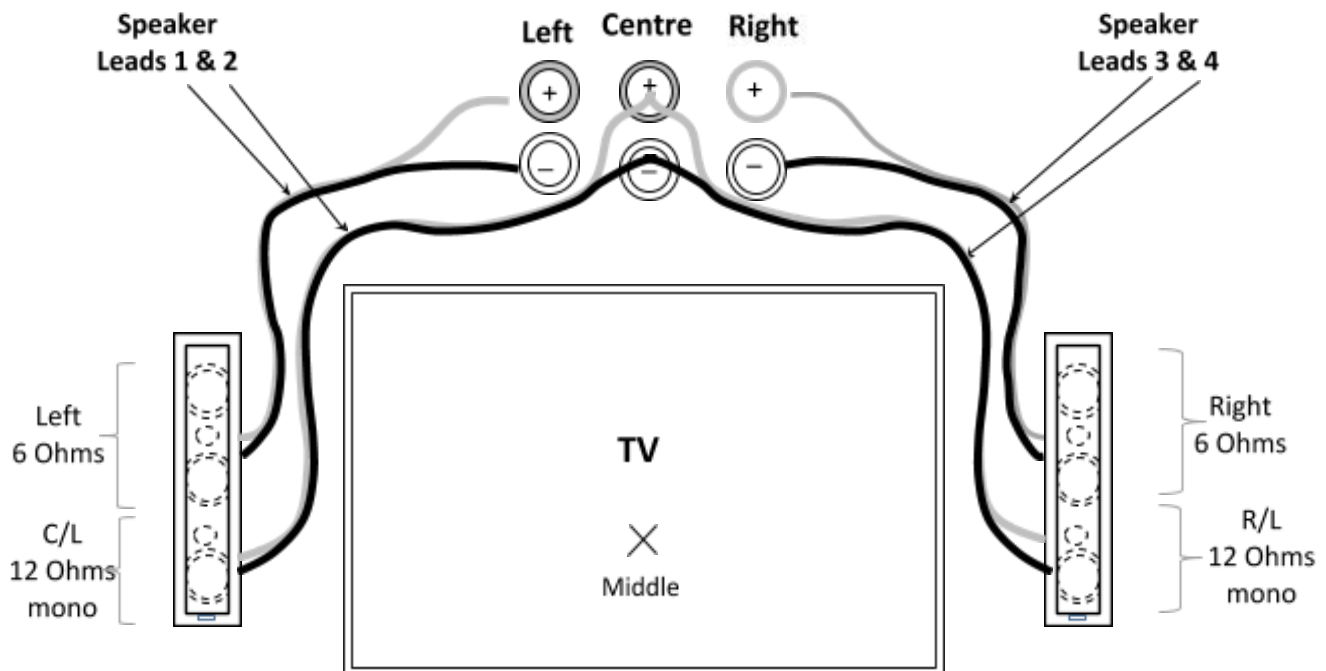


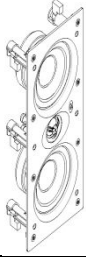




**Elite-303 wiring diagram**

**Front Channels Left & Right.** From Receiver, run 2 Speaker Leads to **each** LEFT and RIGHT Speaker (see FIG 7).  
**Centre Channels Left & Right.** Twist both POS (+) together and connect to POS on amp. Ditto with both NEG (-)

FIG 7.

**Receiver / Amplifier  
Front Channels**



					
	<b>Elite-203</b>	<b>Elite-303</b>	<b>Elite-404</b>	<b>EHT-3</b>	<b>EHT-9</b>
<b>Shape</b>	Rectangular	Rectangular	Round	Round	Round
<b>Suited for</b>	Wall - Front/Rear	Wall - Front/Rear	Ceiling - Atmos/Rear	Ceiling - Indoor/Outdoor	Ceiling - Indoor/Outdoor
<b>Description</b>	Glass front Twin 4.5" 2 Way	Glass Front Twin 4.5" 2 Way + Perfect Centre Speaker	Glass Front 8" 2 Way at Dispersion Angle	Minimal 6.5" 2 Way at Dispersion Angle	Minimal 8" 2 Way at Dispersion Angle
<b>Tweeter size mm / inches</b>	28mm Pure Silk Dome	Twin 28mm Pure Silk Domes	28mm Pure Silk Dome	28mm Pure Silk Dome	28mm Pure Silk Dome
<b>Power Handling</b>	2x 140W RMS	3x 140W RMS	2x 140W RMS	2x 110W RMS	2x 140W RMS
<b>Nom. Impedance</b>	6 Ohms	6 Ohms	6 Ohms	6 Ohms	6 Ohms
<b>Sensitivity</b>	90db	90db	90db	90db	90db
<b>Frequency Resp.</b>	40Hz-21kHz	40Hz-21kHz	35Hz-21kHz	40Hz-21kHz	35Hz-21kHz
<b>Min. Mounting Depth</b>	62mm	75mm	140mm	130mm	140mm
<b>Tweeter Boost switch</b>	YES	YES	NO	NO	NO
<b>Eyeball tweeter</b>	YES	YES	YES	YES	YES
<b>Tweeter Protection</b>	YES	YES	YES	YES	YES
<b>Grille fixings</b>	Chrome Pins	Chrome Pins	Magnetic	Magnetic	Magnetic
<b>Colours</b>	Black / White	Black / White	Black / White	White	White
<b>Suitable for Stereo / Home Theatre</b>	Both	Home Theatre	Both	Both	Both
<b>Outer Dimensions</b>	351 x 163mm	650 x 163mm	287.5mm	240mm	290mm
<b>Cut-out Template Dimensions</b>	137.5 x 325.5mm	137.5 x 568.5mm	256mm	208mm	256mm
<b>Warranty</b>	5 Years				

**Notes:**

*I must not forget to  
**Register Online**  
to validate my  
**5 Year Warranty**  
[www.JensenSpeakers.com.au](http://www.JensenSpeakers.com.au)*

**Customer Support: [support@jensenspeakers.com.au](mailto:support@jensenspeakers.com.au)  
1300-JENSEN (1300-536736)**

Distributed in Australia by Audile Acoustics P/L ATF Audile Acoustics Trust  
under license from Voxx International Corporation, USA