

4

3

2

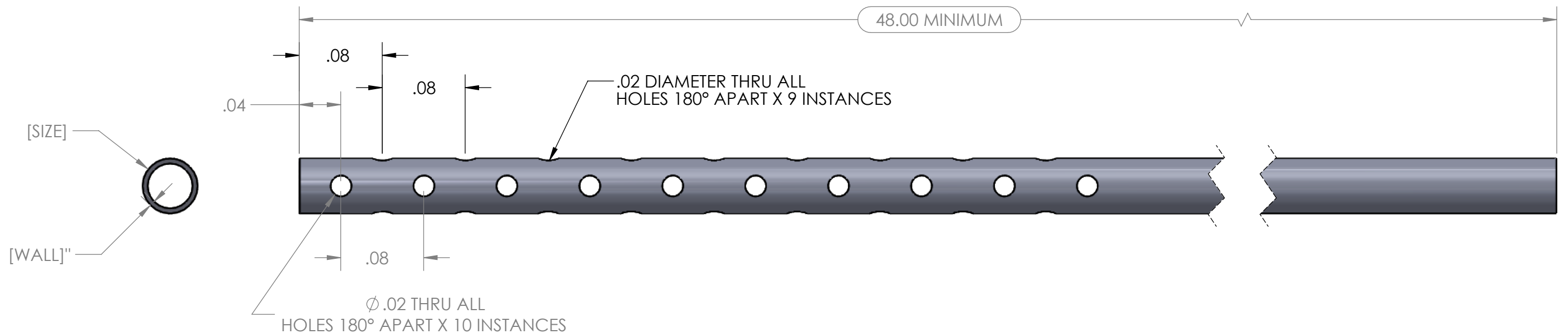
1

SIZE	OD	WALL	ID	DUROMETER	
4Fr	.053"	.005"	.043"	PEBAX 55D	NYLON
6Fr	.079"	.008"	.063"	PEBAX 55D	NYLON
8Fr	.105"	.010"	.085"	PEBAX 55D	NYLON
10Fr	.131"	.010"	.111"	PEBAX 55D	NYLON
12Fr	.158"	.010"	.138"	PEBAX 55D	NYLON

REV	DESCRIPTION	BY	DATE
1	INITIAL RELEASE OF DOCUMENT	OG	05/18/2020

B

B



A

A

**PROPRIETARY AND CONFIDENTIAL**  
 THE INFORMATION CONTAINED IN THIS DRAWING IS THE SOLE PROPERTY OF <INSERT COMPANY NAME HERE>. ANY REPRODUCTION IN PART OR AS A WHOLE WITHOUT THE WRITTEN PERMISSION OF <INSERT COMPANY NAME HERE> IS PROHIBITED.

		UNLESS OTHERWISE SPECIFIED:		NAME	DATE
		DIMENSIONS ARE IN INCHES	DRAWN		
		TOLERANCES:	CHECKED		
		FRACTIONAL $\pm$	ENG APPR.		
		ANGULAR: MACH $\pm$ BEND $\pm$	MFG APPR.		
		TWO PLACE DECIMAL $\pm$	Q.A.		
		THREE PLACE DECIMAL $\pm$	COMMENTS:		
		INTERPRET GEOMETRIC TOLERANCING PER:			
		MATERIAL			
		FINISH			
NEXT ASSY	USED ON				
APPLICATION		DO NOT SCALE DRAWING			

TITLE: <b>DISTAL ARRAY CONFIG</b>		
SIZE <b>B</b>	DWG. NO.	REV <b>1</b>
SCALE: 1:8	WEIGHT:	SHEET 1 OF 1

4

3

2

1