

12

11

10

9

8

7

6

5

4

3

2

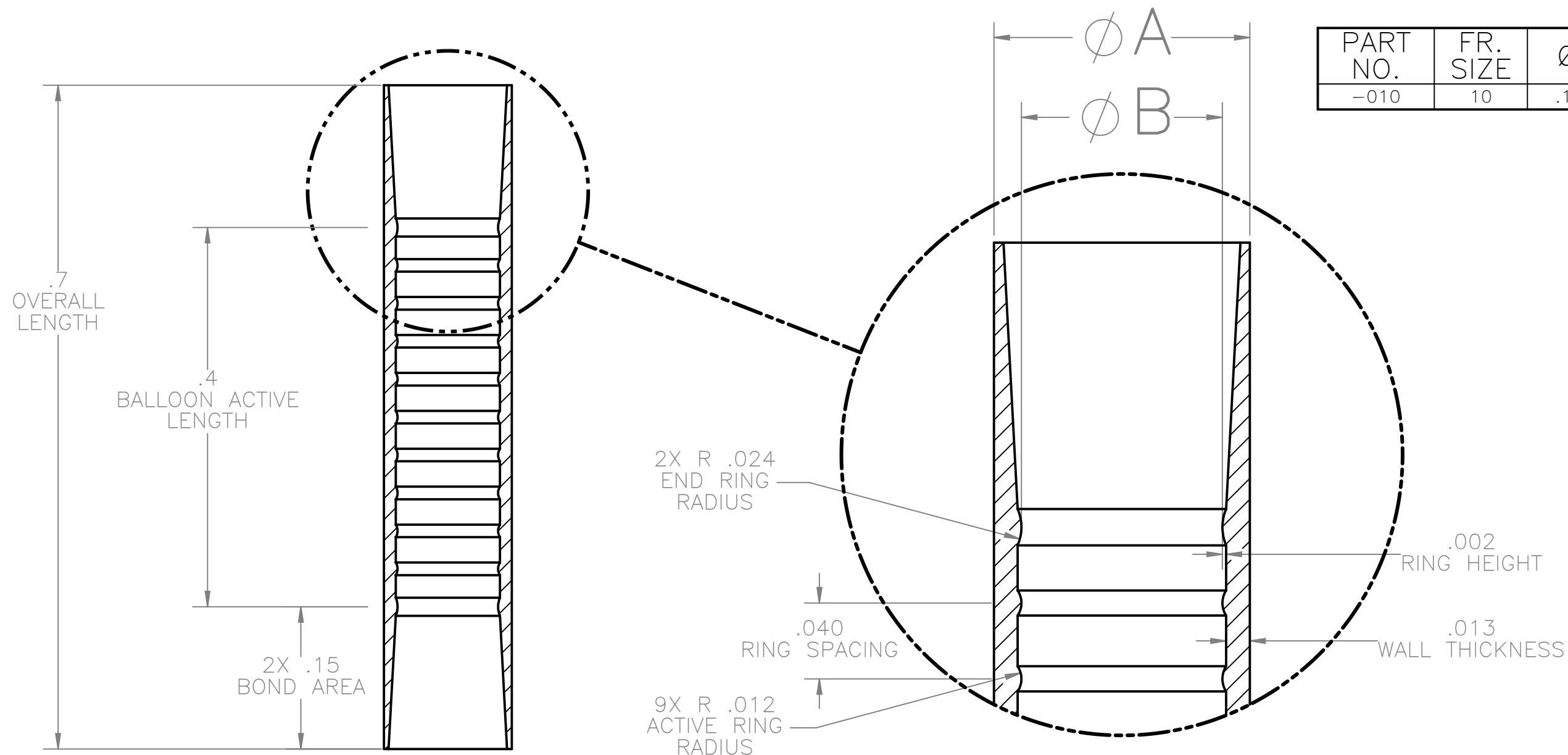
1


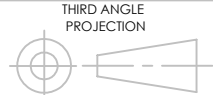
NOTES:

- 1. MATERIAL: 25 DURO SILICONE
- 2. MATERIAL COMPLIANT WITH USP CLASS VI AND REACH EC REGULATION 1907/2006

REVISIONS				
DCR	REV	DESCRIPTION	ISSUE DATE	APPROVED DATE
N/A	N/A	CHAMFR COMPONENT	N/A	N/A

PART NO.	FR. SIZE	ØA	ØB
-010	10	.135	.105



APPROVAL: N/A	UNITS: INCHES	 <p>Ph: 520-882-7794 4700 S. Overland Drive, Tucson, AZ 85714</p>
DRAWN BY: C. TOMLINSON	DATE: 10/3/18	
CUSTOMER NAME: N/A	MATERIAL: SILICONE	TITLE: 3cc DESIGN BALLOON
 <p>THIRD ANGLE PROJECTION</p> <p>ANGLES ±1°</p>	<p>TOLERANCES UNLESS OTHERWISE SPECIFIED INCHES</p> <p>.X ±.03 .XX ±.01 .XXX ±.005 FRACTIONS ±1/32</p>	<p>DRAWING NO. 30-0250-XXX</p> <p>SCALE: 4:1</p>
		<p>REV. N/A</p> <p>SHEET 1 OF 1</p>

12

11

10

9

8

7

6

5

4

3