

12

11

10

9

8

7

6

5

4

3

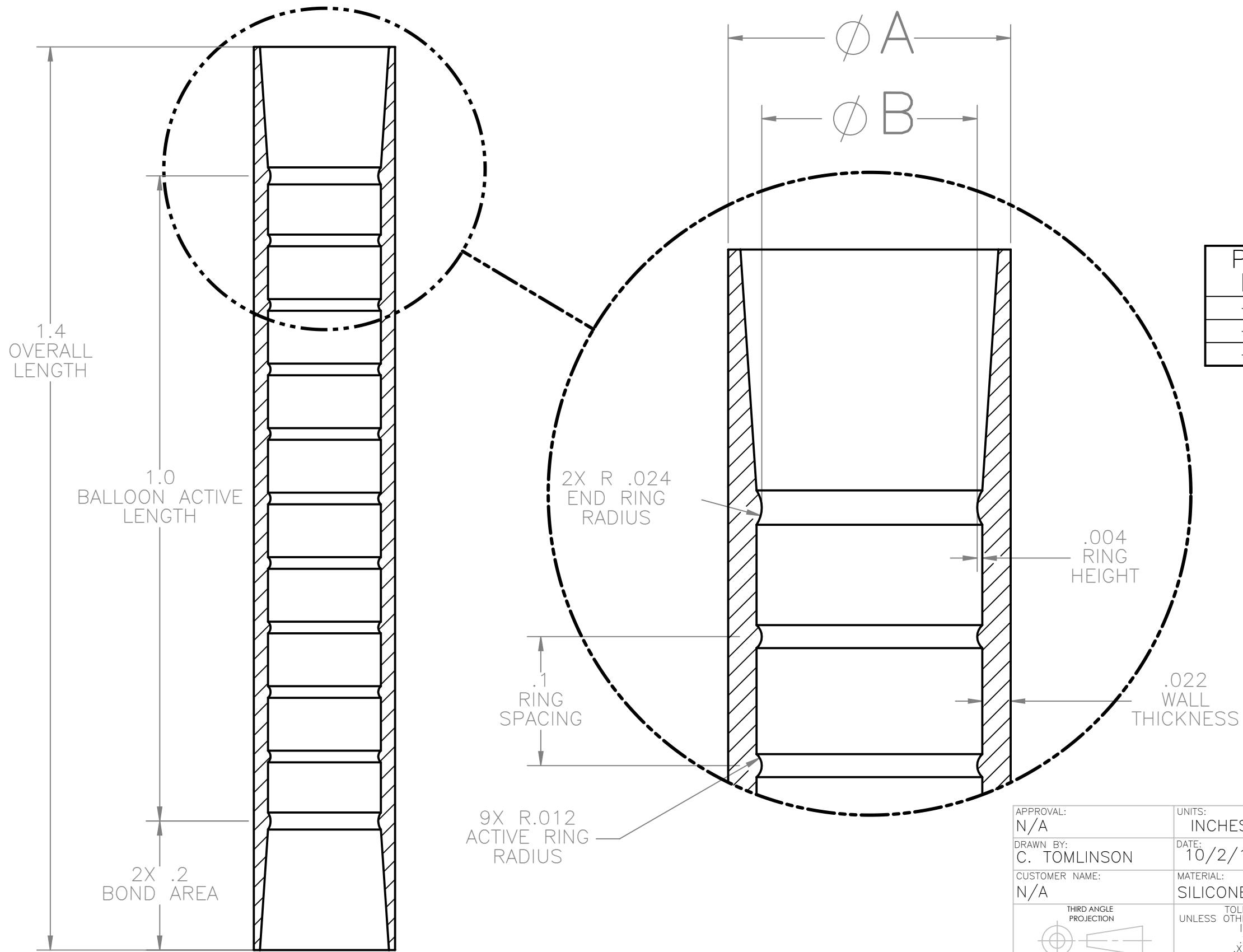
2

1

NOTES:

- 1. MATERIAL: 25 DURO SILICONE
- 2. MATERIAL COMPLIANT WITH USP CLASS VI AND REACH EC REGULATION 1907/2006

REVISIONS				
DCR	REV	DESCRIPTION	ISSUE DATE	APPROVED DATE
N/A	N/A	CHAMFR COMPONENT	N/A	N/A



PART NO.	FR. SIZE	ØA	ØB
-218	18	.246	.216
-220	20/22	.267	.237
-224	24/26/28	.304	.274

APPROVAL: N/A
 DRAWN BY: C. TOMLINSON
 CUSTOMER NAME: N/A

UNITS: INCHES
 DATE: 10/2/18
 MATERIAL: SILICONE

THIRD ANGLE PROJECTION
 ANGLES ±1°

TOLERANCES UNLESS OTHERWISE SPECIFIED IN INCHES
 .X ±.03
 .XX ±.01
 .XXX ±.005
 FRACTIONS ±1/32

Ph: 520-882-7794
 4700 S. Overland Drive, Tucson, AZ 85714

TITLE: 30cc DESIGN BALLOON

DRAWING NO. 30-0249-XXX
 SCALE: NTS

REV N/A
 SHEET 1 OF 1

12

11

10

9

8

7

6

5

4

3