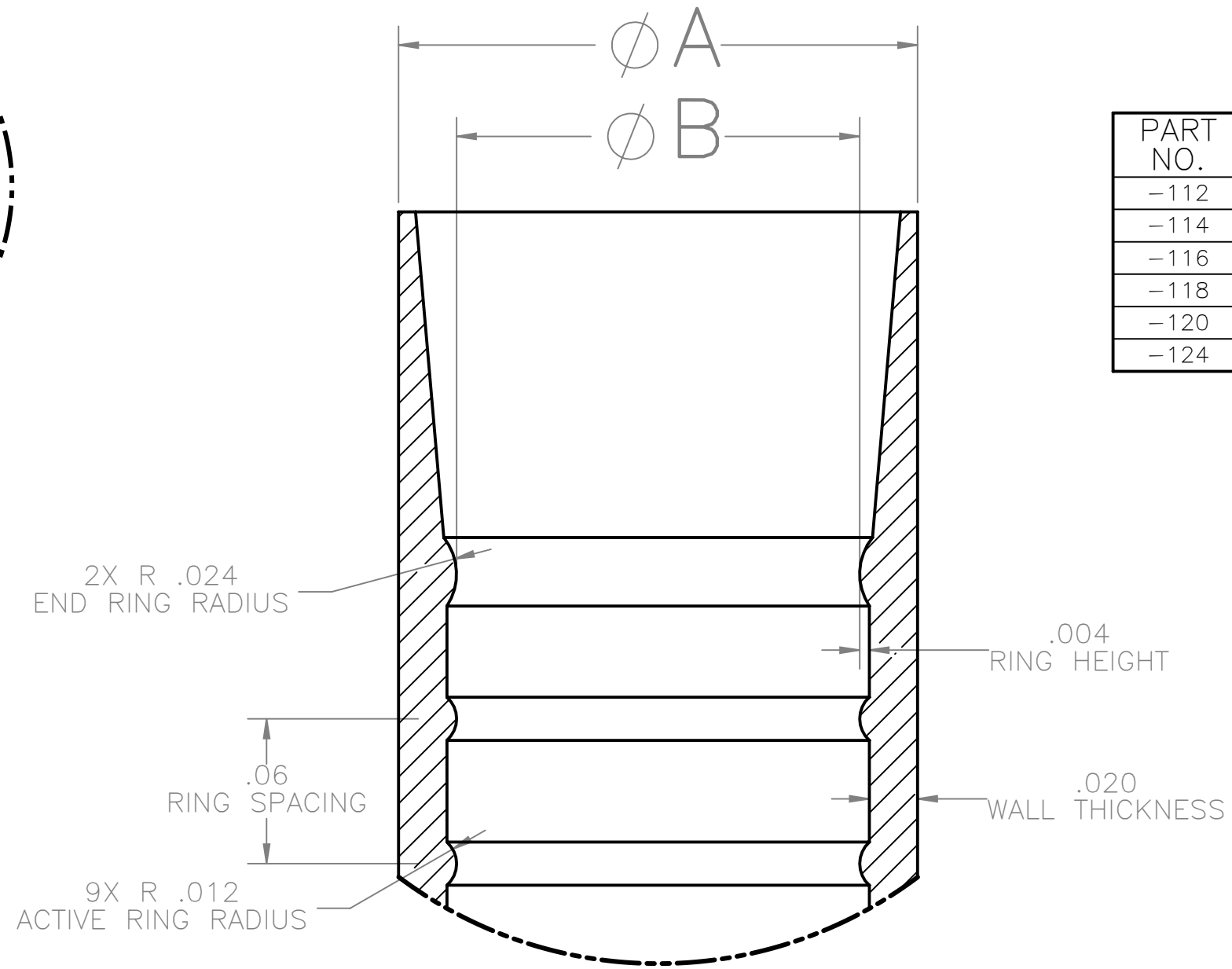
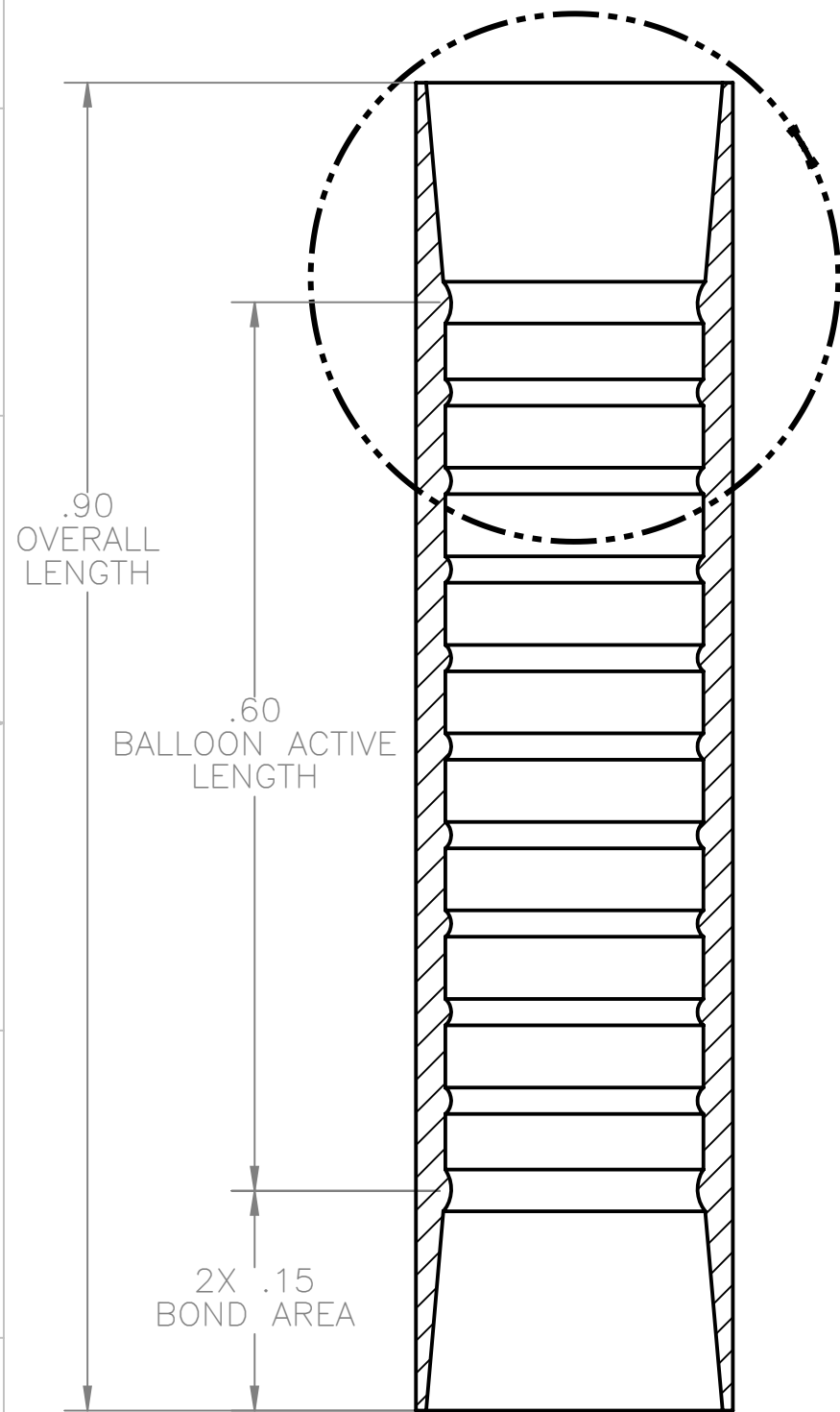


NOTES:

- MATERIAL: 25 DURO SILICONE
- MATERIAL COMPLIANT WITH USP CLASS VI AND REACH EC REGULATION 1907/2006

REVISIONS				
DCR	REV	DESCRIPTION	ISSUE DATE	APPROVED DATE
N/A	N/A	CHAMFR COMPONENT	N/A	N/A

PART NO.	FR. SIZE	ØA	ØB
-112	12	.164	.136
-114	14	.190	.142
-116	16	.215	.187
-118	18	.242	.214
-120	20/22	.263	.235
-124	24/26	.300	.272



APPROVAL: N/A
 DRAWN BY: C. TOMLINSON
 CUSTOMER NAME: N/A

UNITS: INCHES
 DATE: 9/27/18
 MATERIAL: SILICONE

THIRD ANGLE PROJECTION
 ANGLES ±1°

TOLERANCES UNLESS OTHERWISE SPECIFIED INCHES
 .X ±.03
 .XX ±.01
 .XXX ±.005
 FRACTIONS ±1/32

Ph: 520-882-7794
 4700 S. Overland Drive, Tucson, AZ 85714

TITLE: 5CC DESIGN BALLOON

DRAWING NO. 30-0248-XXX
 SCALE: NTS

REV N/A
 SHEET 1 OF 1