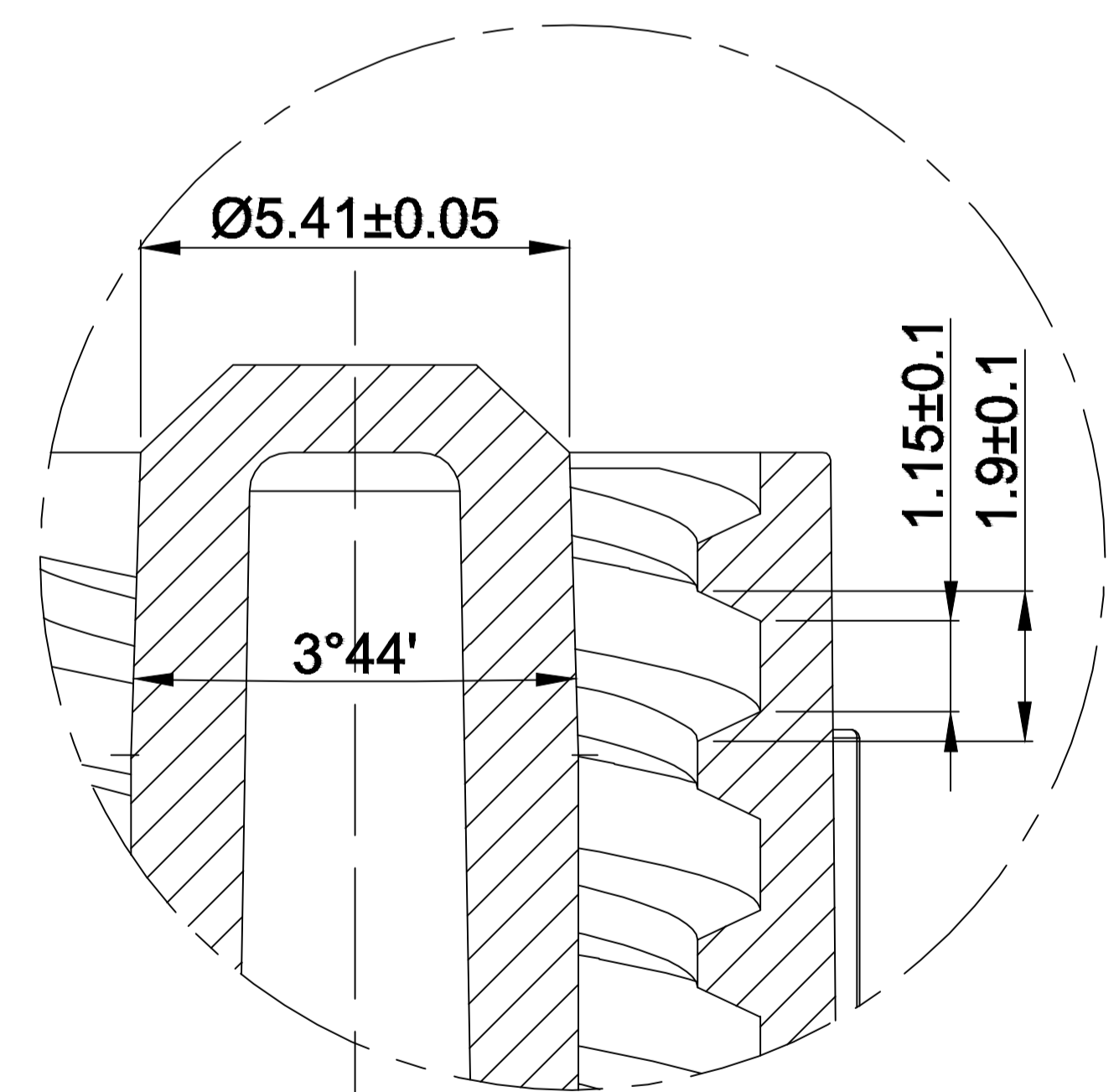
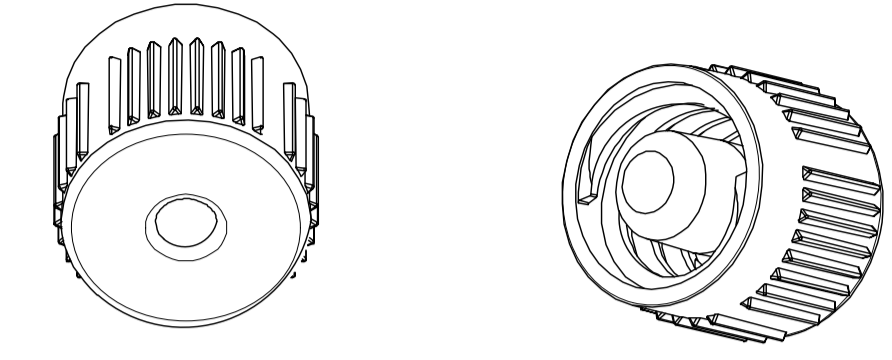
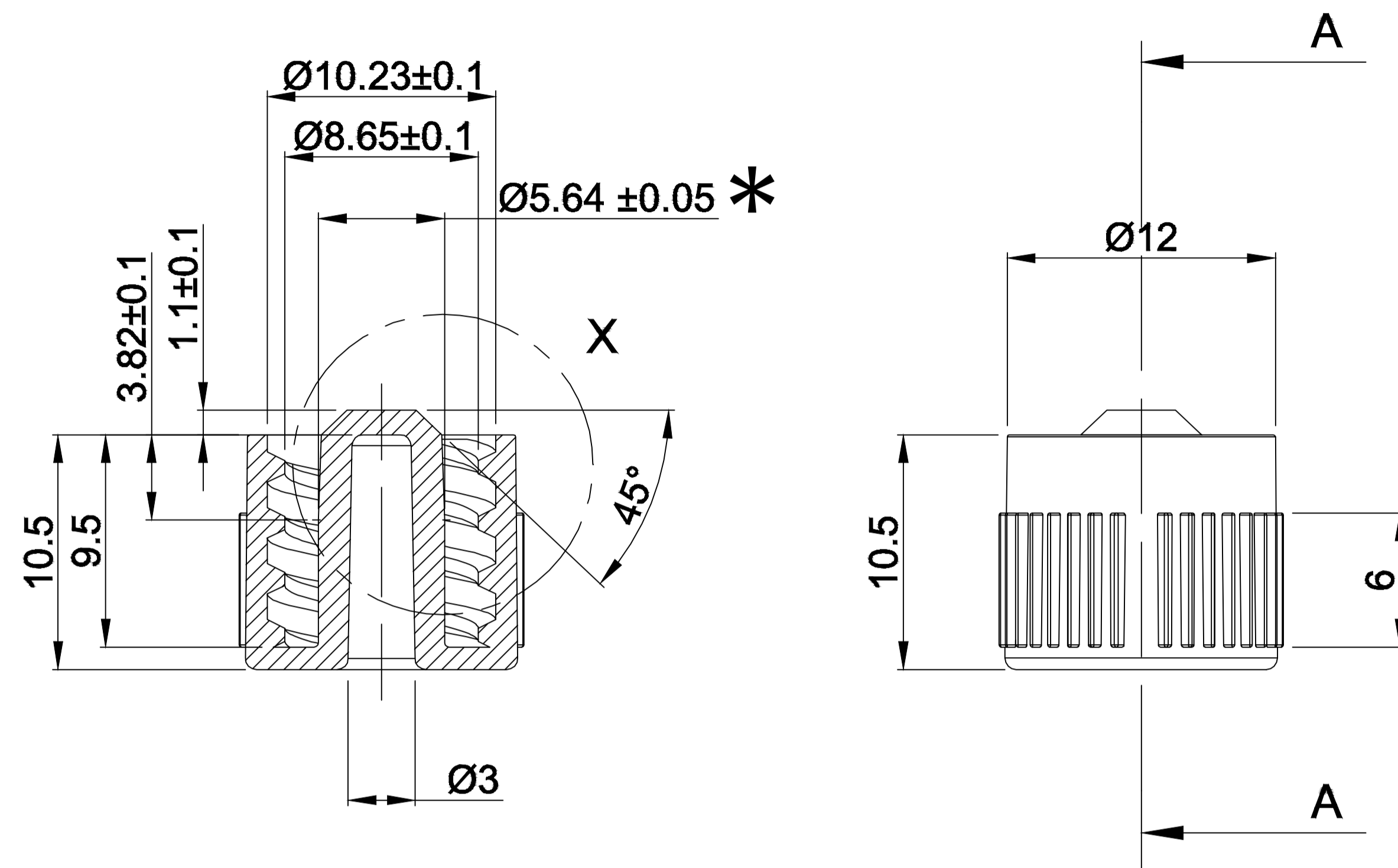
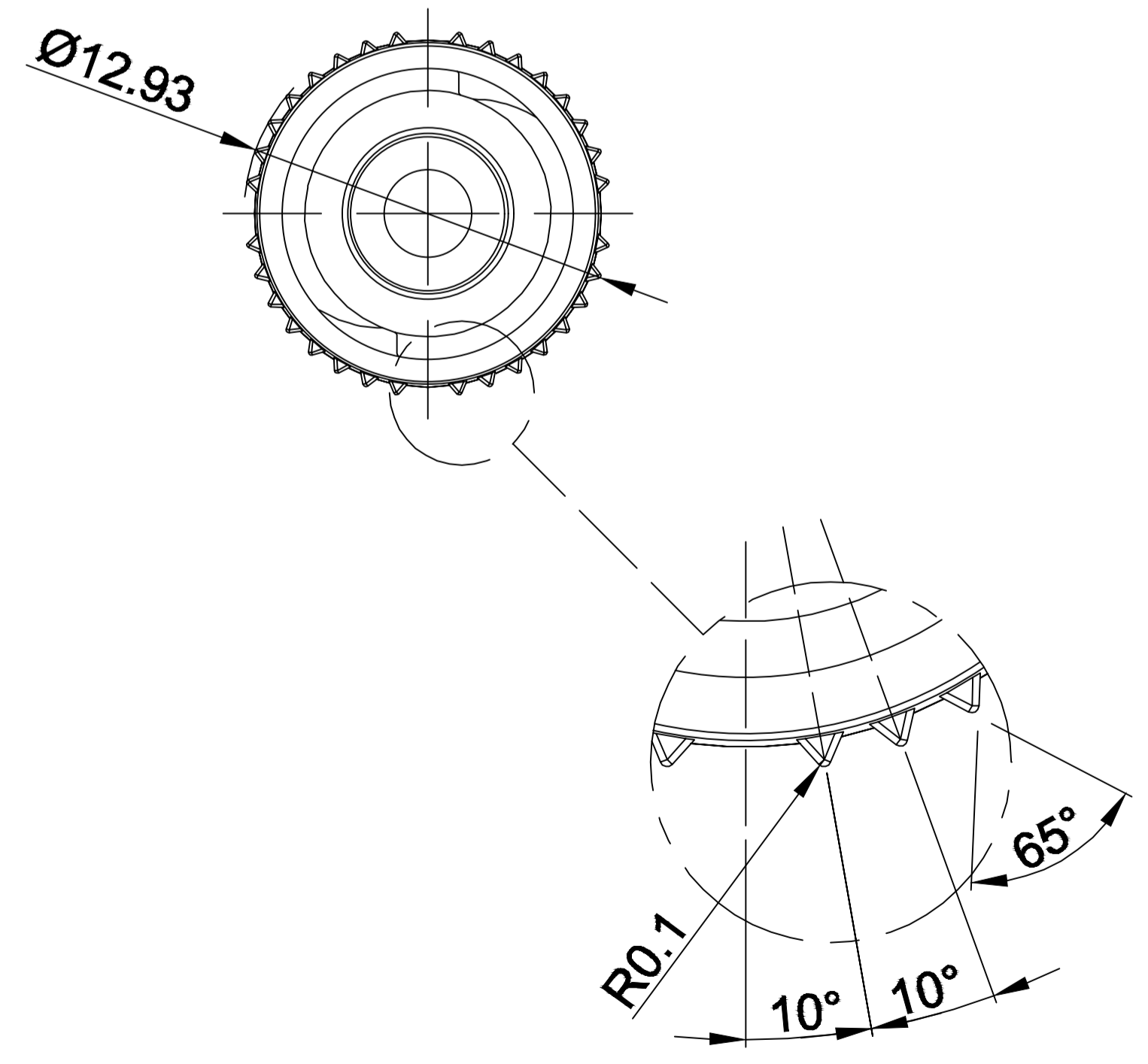


SECTION A - A



DETAIL X



NOTES:

1. MATERIAL: ABS, TERLUX 2802 HD
COLORANT, VIOLET UN/GRT VIOLA 18M7/E.
2. PART CONFORMS TO ISO 80369-3.
3. VENDOR SHALL CERTIFY FOR EACH SHIPMENT THAT EACH SHIPMENT IS TRACEABLE TO VENDOR'S LOTS AND VENDOR'S SUPPLIER(S) LOTS.
4. MATERIAL MUST BE COMPATIBLE WITH GAMMA AND ETO STERILIZATION.
5. PACKAGED: BULK, NON-STERILE, DOUBLE POLY BAGS.
6. ALL DIMENSIONS ARE FOR REFERENCE ONLY UNLESS OTHERWISE SPECIFIED. * DESIGNATES INSPECTION DIMENSION.

| REV | DESCRIPTION | DRAWN | DATE | CHKD | DATE | APP'D | DATE |
|--|------------------|-------------------|-----------|--|-----------|-------|-----------|
| A | INITIAL RELEASE. | LM | 08/JAN/20 | EF | 09/JAN/20 | AM | 09/JAN/20 |
| REVISION HISTORY | | | | | | | |
| DRAWING SPECIFICATIONS: UNLESS OTHERWISE NOTED | | | | THIS DRAWING IS PROPRIETARY OF VITALMED, INC. REPRODUCTION OR USE WITHOUT WRITTEN AUTHORIZATION IS PROHIBITED. | | | |
| DIMENSIONS ARE IN MILLIMETERS BREAK ALL SHARP EDGES CORNER RADIUS = N/A SURFACE FINISH = N/A TOLERANCES: Js14 | | | | VITALMED, INC. | | | |
| | | | | DESCRIPTION: ENFIT CAP, MALE, VIOLET | | | |
| MATERIAL: | SEE NOTES | DRAWING TEMPLATE: | SCALE: | NONE | DWG NO: | REV: | |
| FINISH: | NONE | F088 REV 0 | SHEET: | 1 OF 1 | 21901 | A | |