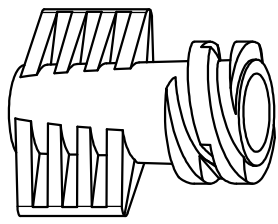
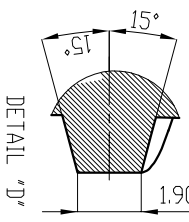
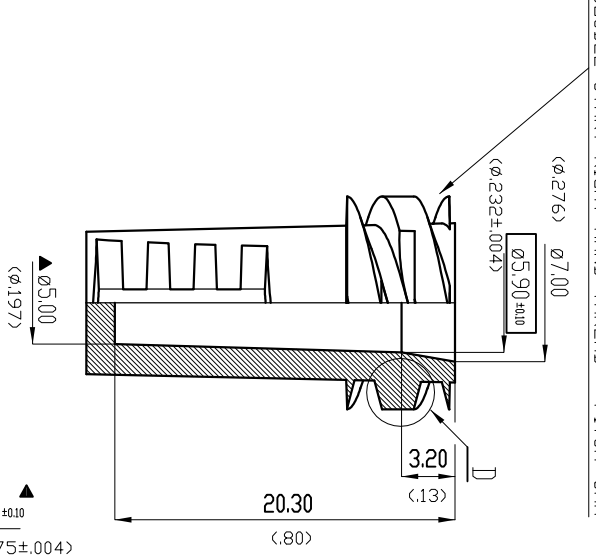
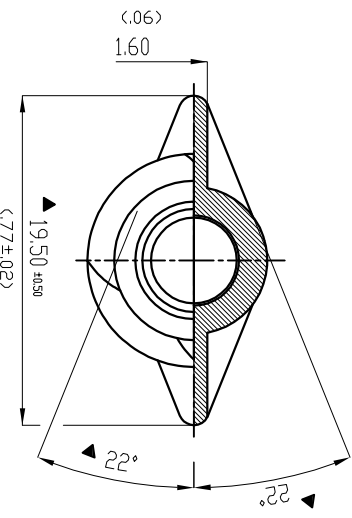
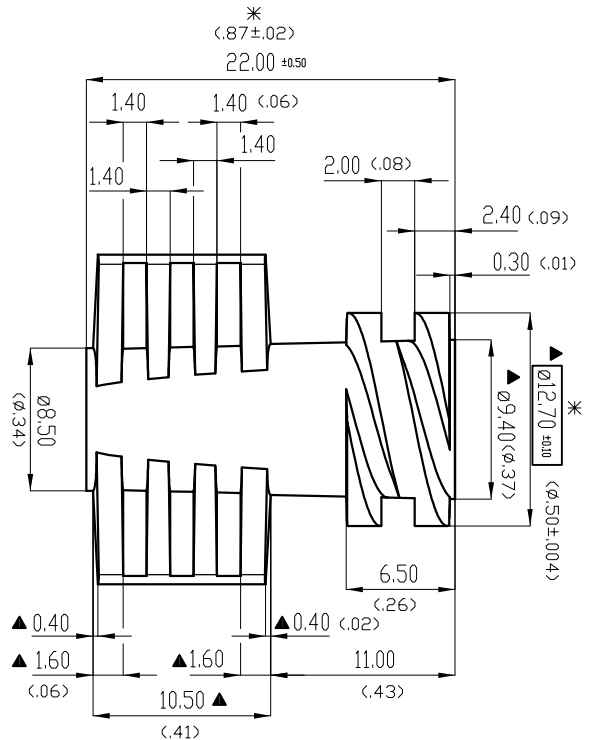


DOUBLE START RIGHT HAND THREAD - PITCH: 8mm



NOTES:

1. MATERIALS:
BLEND - PVC-NAKAN FM87M2102, RESILIA AND PVC-EVICOM AM605 W17 EVC COMPOUND
 2. VENDOR SHALL CERTIFY FOR EACH SHIPMENT THAT EACH SHIPMENT IS TRACABLE TO VENDOR'S LOTS AND VENDOR'S SUPPLIER(S) LOTS.
 3. MATERIAL MUST BE COMPATIBLE WITH ETO STERILIZATION.
 4. FLASH/GATE IN CONNECTING AREAS/FLUID PATH NOT TO EXCEED .012" EXTERNAL FLASH NOT TO EXCEED .020"
- EMBEDDED MATERIAL:
NO BLACK SPOT OR BURN ≥ .040"
NOT MORE THAN ONE MOLDING BURN < .040"
- PARTICULATE:
NONE ALLOWED.

5. ALL DIMENSIONS ARE FOR REFERENCE ONLY UNLESS OTHERWISE SPECIFIED. * INDICATES INSPECTION DIMENSION
6. BULK PACKAGE USING DOUBLE POLYVINYL BAGS.

REV. DESCRIPTION		DRAWING DATE		CHKD/P/VD.		DATE	
A	INITIAL RELEASE	AGE	04-04-05	DP		04-04-05	
B	ADD 276 DIAI LEAD IN, DEPTH OF .126 PER ECO 1269	RM	3-31-11	SP		4-18-11	
C	ECO 1349	OS	3-31-12	RM		3-31-12	
D	ANALOGUES CHANGED DIMS DUE TO NEW MOLD. UPDATE NOTES PER ECO 1491	RM	2-11-13	CS		2-11-13	

REVISION HISTORY

THIS DRAWING IS PROPRIETARY TO VITALMED, INC. REPRODUCTION OR USE WITHOUT WRITTEN AUTHORIZATION IS PROHIBITED.

VITALMED, INC.
LAKEVILLE, MASSACHUSETTS 02347

CAP, FEMALE DIN, NON-VENTED

VITALMED, INCORPORATED
LAKEVILLE, MASSACHUSETTS 02347

MATERIAL: SEE NOTES
FINISH: NONE
SCALE: NONE
SHEET: 1 OF 1
DP: DP
DATE: 04-04-05
REV: D