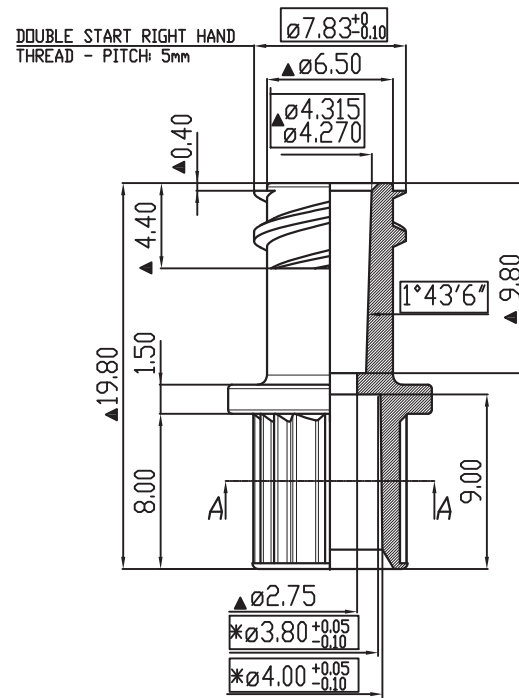
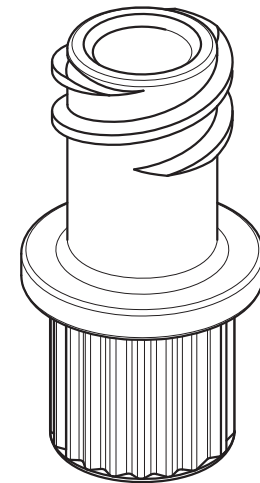


SECTION A-A



SECTION B-B



NOTES:

- MATERIAL: RIGID PVC, 10014/G-010 BY COLORITE, NO DOP  
COLOR: LIGHT BLUE
- VENDOR SHALL CERTIFY FOR EACH SHIPMENT THAT EACH SHIPMENT IS TRACEABLE TO VENDOR'S LOTS AND VENDORS SUPPLIER(S) LOTS.
- FLASH:  
NOT TO EXCEED .012" IN CONNECTING AREAS.  
NOT TO EXCEED .020" IF CAN AFFECT PACKAGING.
- MEETS ISO 594-1/2 REQUIREMENTS.
- MATERIAL IS COMPATIBLE TO ETO, GAMMA, AND BETA STERILIZATION.
- ALL DIMENSIONS ARE FOR REFERENCE ONLY UNLESS OTHERWISE SPECIFIED.  
\* INDICATES INSPECTION DIMENSION.
- BULK PACKAGE USING DOUBLE POLY BAGS.

C	UPDATED PER ECD 1690 INDICATED BY ▲	RR	3/23/15	RM	3/23/15
B	RESIN MFG NOW USING DEHP FREE PLASTICIZER	RM	10/13/11	SP	10/13/11
A	INITIAL RELEASE	RP	10/8/03	AL	10/8/03
REV	DESCRIPTION	DRAWN	DATE	APP'D.	DATE

REVISION HISTORY

DRAWING SPECIFICATIONS:  
UNLESS OTHERWISE NOTED

DIMENSIONS ARE IN MILLIMETERS  
BREAK ALL SHARP EDGES  
CORNER RADIUS = N/A  
SURFACE FINISH = N/A  
TOLERANCES:

ANGLES = ± N/A  
X.XX = ± N/A  
X.XXX = ± N/A

THIS DRAWING IS PROPRIETARY TO VITALMED, INC. REPRODUCTION OR USE WITHOUT WRITTEN AUTHORIZATION IS PROHIBITED.

**VITALMED, INC.**

VITALMED, INCORPORATED  
LAKEVILLE, MASSACHUSETTS 02347

DESCRIPTION FEMALE LUER LOCK FOR 4.1 O.D.TUBE  
PVC, LIGHT BLUE, NO DOP

MATERIAL	SEE NOTES	A	SCALE	NONE	DWG NO	20374	REV	C			
FINISH	NONE		SHEET	1 OF 1							
DRAWN	RP	DATE	5/4/03	CHKD	RP	DATE	5/4/03	APVD	AL	DATE	5/4/03