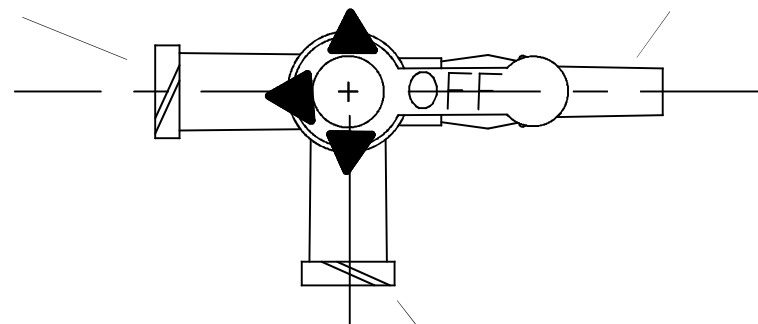
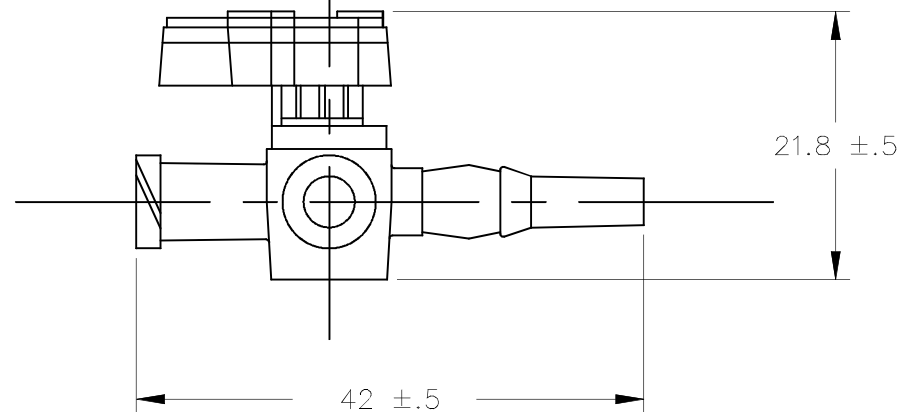
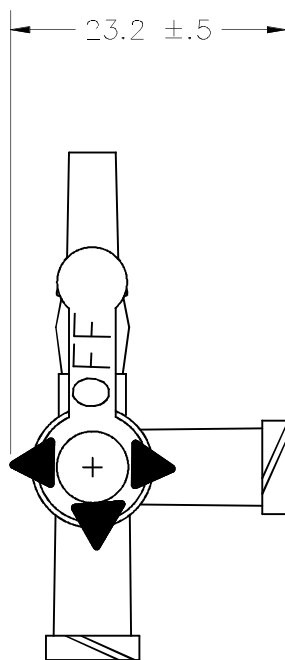


FEMALE LUER

MALE LUER



FEMALE LUER



NOTES:

1. MATERIALS:  
HANDLE: HDPE, ERACLENE MP90 BY POLIMERI EUROPE  
BODY: PC, MAKROLON RX-1805 BY BAYER  
SILICONE, NuSil MED-361
2. VENDOR SHALL CERTIFY FOR EACH SHIPMENT THAT EACH SHIPMENT IS TRACABLE TO VENDOR'S LOTS AND VENDOR'S SUPPLIER(S) LOTS.
3. MATERIAL MUST BE COMPATIBLE WITH ETO AND GAMMA STERILIZATION.
4. FLASH:  
INTERNAL FLASH NOT TO EXCEED .006".  
EXTERNAL FLASH NOT TO EXCEED .012".
5. LUER FITTINGS MEET REQUIREMENTS OF ISO 594.
6. PRESSURE RATING OF STOPCOCK: 2 BAR (29 PSI).
7. ALL DIMENSIONS ARE FOR REFERENCE ONLY UNLESS OTHERWISE SPECIFIED.
8. BULK PACKAGE USING DOUBLE POLY BAGS.

REVISION HISTORY					
REV:	DESCRIPTION:	DRWN:	DATE:	CHKD/APVD:	DATE:
A	INITIAL RELEASE	ACE	6/1/04	RP	6/1/04
B	CORRECT MATERIAL HANDLE TO HDPE	RFM	9/7/07	RP	9/7/07
C	NEW HANDLE AND BODY MATERIAL (REFORMAT AND REDRAWN)	RFM	2/28/08	AL	4/18/08
D	ECO 158D	RR	4/16/14	RM	4/16/14

<p><b>DRAWING SPECIFICATIONS:</b> UNLESS OTHERWISE NOTED</p> <p>DIMENSIONS ARE IN INCHES BREAK ALL SHARP EDGES CORNER RADIUS <math>\leq .010 / .020</math> SURFACE FINISH <math>\leq .32</math> RMS TOLERANCES: ANGLES = <math>\pm 1/2^\circ</math> X.X = <math>\pm .010</math> X.XX = <math>\pm .005</math></p>	<p>THIS DRAWING IS PROPRIETARY TO VITALMED, INC. REPRODUCTION OR USE WITHOUT WRITTEN AUTHORIZATION IS PROHIBITED.</p> <p><b>VITALMED, INC.®</b></p> <p>VITALMED, INCORPORATED LAKEVILLE, MASSACHUSETTS 02347</p> <p><b>3 WAY STOPCOCK</b></p>		
	<p>MATERIAL: SEE NOTES</p>	<p>SCALE: NONE</p>	<p>DRWG NO: 20283</p>
	<p>FINISH: NONE</p>	<p>SHEET: 1 OF 1</p>	<p>REV: D</p>

DRWN: RTM	DATE: 6/1/04	CHKD: RP	DATE: 6/1/04	APVD: RFM	DATE: 6/1/04
-----------	--------------	----------	--------------	-----------	--------------