

JH073-G+BF Assembly Instruction



(1)=8

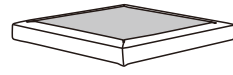
a=36



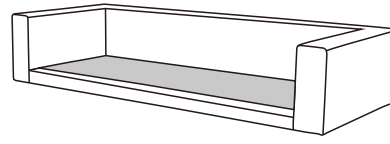
M5*25



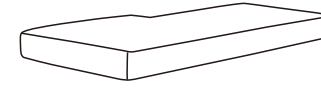
(2)=1



(3)=1



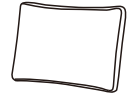
(4)=1



(5)=1

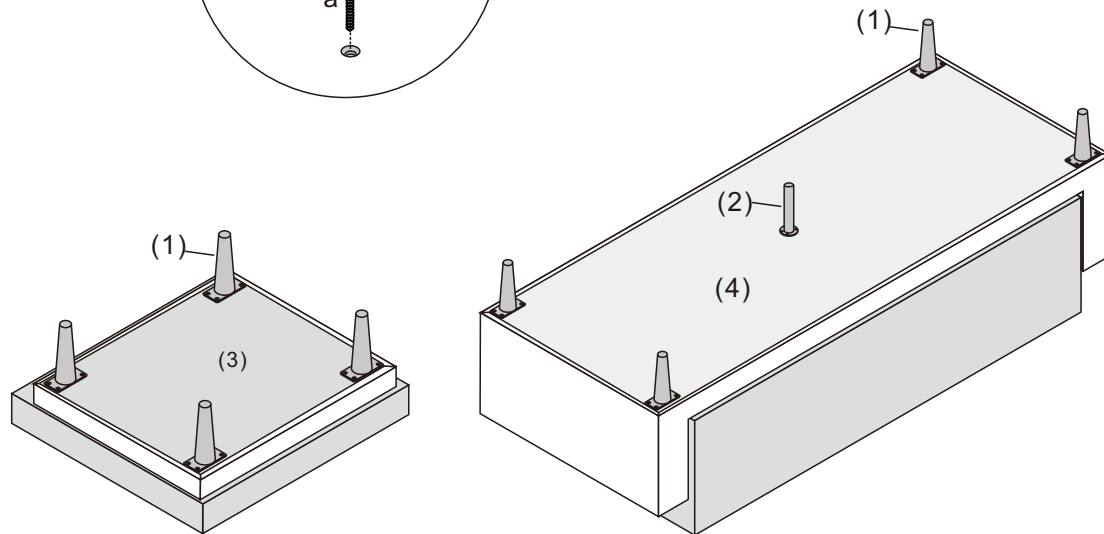
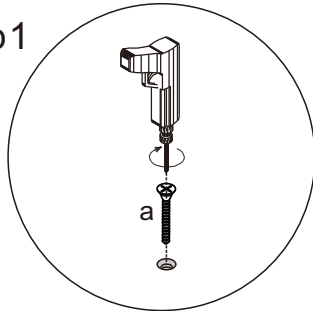


(6)=2

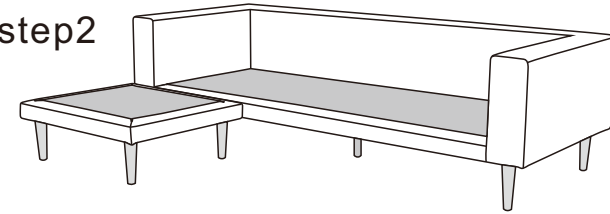


(7)=3

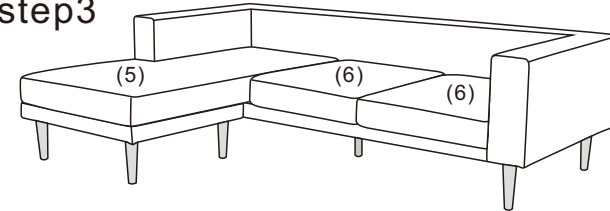
step1



step2



step3



step4

