

# JK080-3I Assembly Instruction

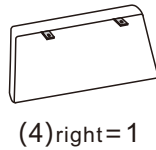
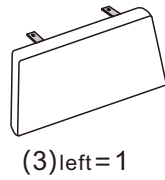
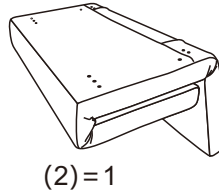
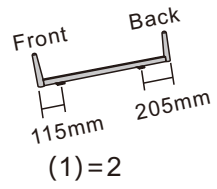


a=12  M8\*25

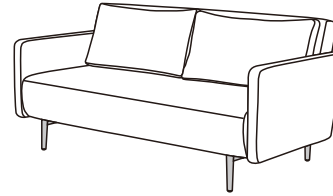
b=8  Ø17

c=4  Ø25

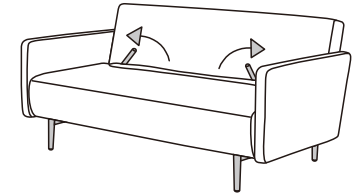
d=1  6mm



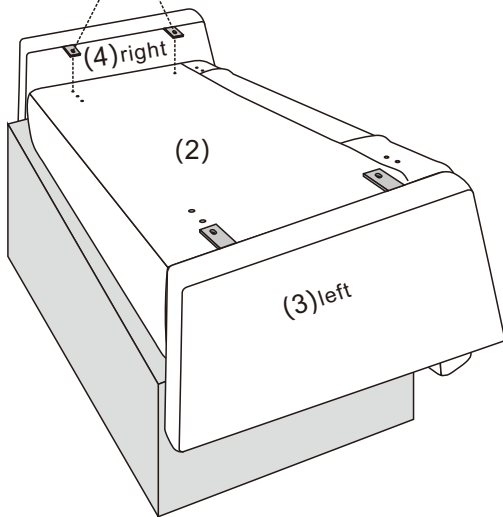
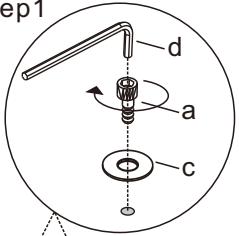
1



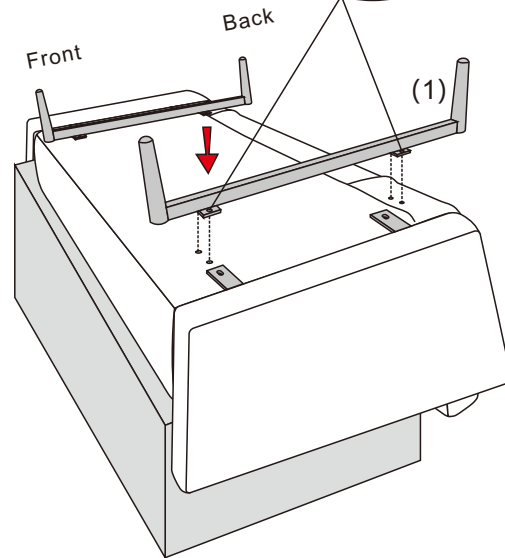
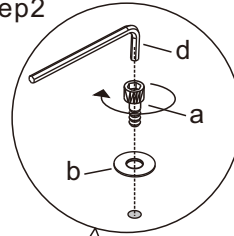
2



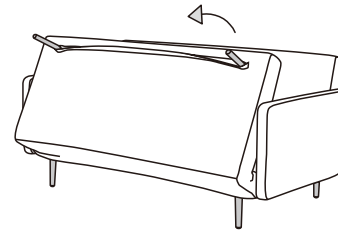
Step1



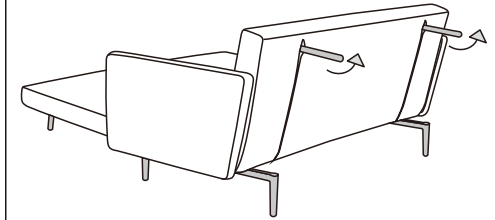
Step2



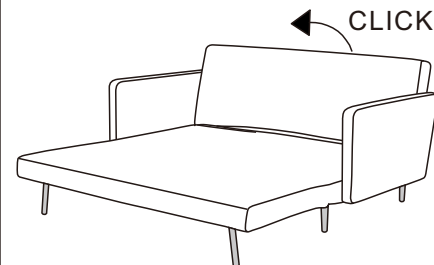
3



4



5



6

