

USER MANUAL

SOLAR MOTION SENSOR LIGHT



Water
Proof



Heat
Resistance



Frost
Resistance



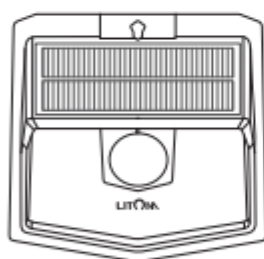
LITOM

30 LED

INTRODUCTION

The solar motion sensor light can automatically detect brightness of surroundings: it enters charging mode to convert light to electricity that is stored in the build-in battery in daytime; it automatically enters motion detection mode to illuminate when detecting motions at night.

PACKING LIST



1

1. Solar Motion Sensor Light
2. Screw

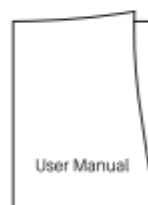


2



3

3. Wall Plug

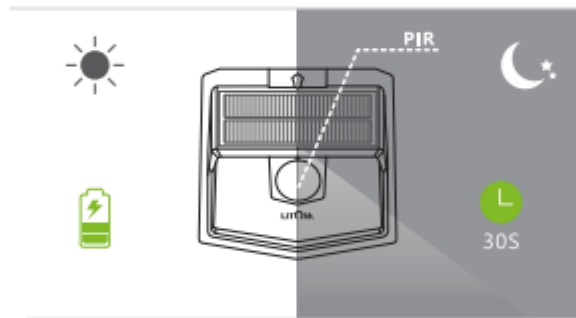


4

4. User Manual

LIGHTING MODE

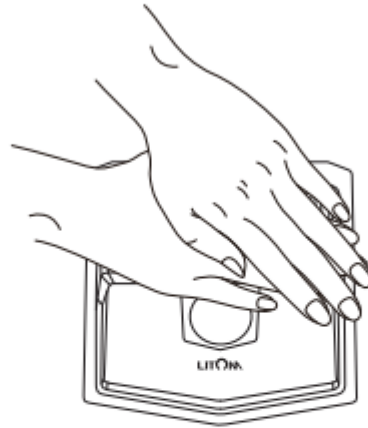
The product charges under direct sunlight in the day, and stays off in darkness or at night when no motion is detected. It will automatically turn on bright light in darkness or at night when a motion is detected and last about 30 seconds; the light will go off again when there is no motion. However, it prolongs every time when it detects motions during its illumination.



NOTE

1. It is recommended to turn off the light and charge it under direct sunlight for 1-2 days before the first use. Make sure the product has enough power.

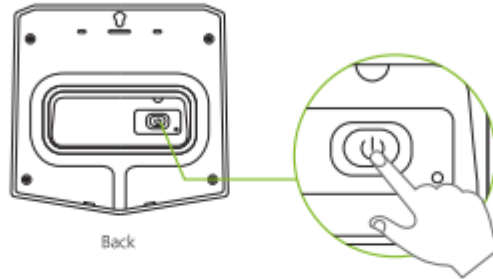
2. If you want to check whether the product can work normally or not, please turn it on by pressing the back button, then cover the solar panel with your hands in the daytime or put it in dark environment.



3. Clean the solar panels regularly to ensure the efficiency of charging.
4. Motion effect may differ owing to factors, such as intensity of sunshine, temperature, height and size of the motioned objects and heat radiation etc.

INSTALLATION

- Press the back button to activate the product.



- Choose a place that can get enough sunshine to install the light, the longer it gets sunshine the longer it can illuminate.
- Punch a hole on the wall with a drill bit and insert the attached wall plug into the hole. Then, twist the screw through the screw hole of light into wall plug .

