

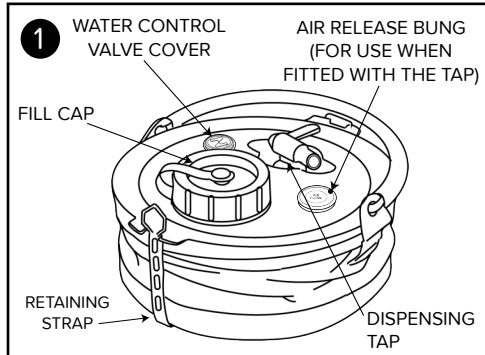
colapz®

FRESH MINI FULL KIT

USER INSTRUCTIONS

CONTENTS:

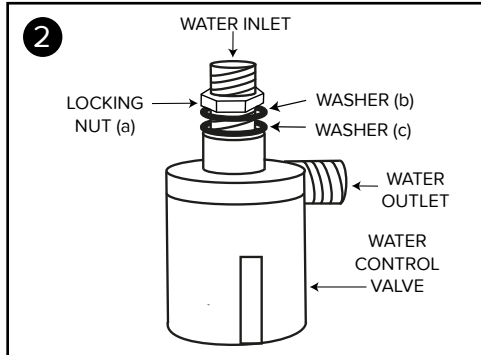
1 x FRESH MINI VESSEL • 1 x 7.5M FOOD GRADE HOSE • 1 x HOSE END CONNECTOR • 1 x 'AUTO-STOP' CONNECTOR
 1 x WATER CONTROL VALVE • 1 X ELBOW • 1 X 10.5CM TUBE • 2 x IMPERIAL/METRIC TAP CONNECTORS • 2 x STORAGE BAGS



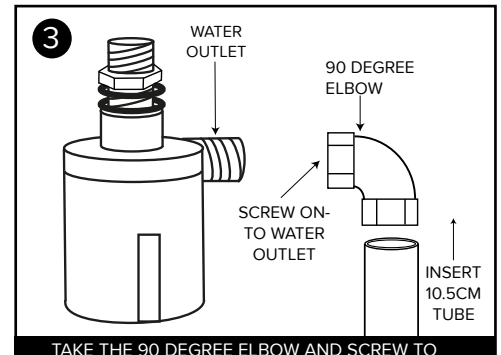
RELEASE THE RETAINING STRAP AND TWIST THE VESSEL INTO THE UPRIGHT POSITION.

TOP TIP!

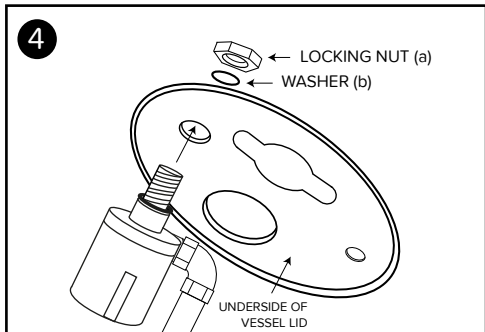
ADDING WATER AT THIS STAGE WILL SUPPORT THE VESSEL WHILE YOU ARE ASSEMBLING IT



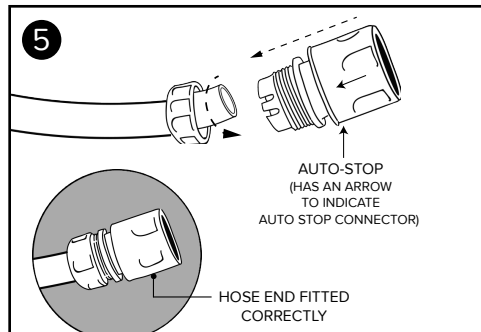
TAKE THE WATER CONTROL VALVE AND REMOVE LOCKING NUT (a) AND WASHER (b) BY UNSCREWING THEM FROM THE MAIN BODY OF THE VALVE. LEAVE WASHER (c) ON THE THREADED TUBE.



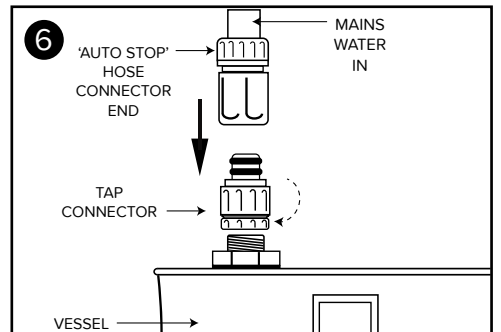
TAKE THE 90 DEGREE ELBOW AND SCREW TO THE WATER OUTLET. THEN PUSH THE 10.5CM TUBE INTO THE BOTTOM OF THE ELBOW. THIS WILL PREVENT ANY VIBRATION WHEN THE VESSEL IS RE-FILLING.



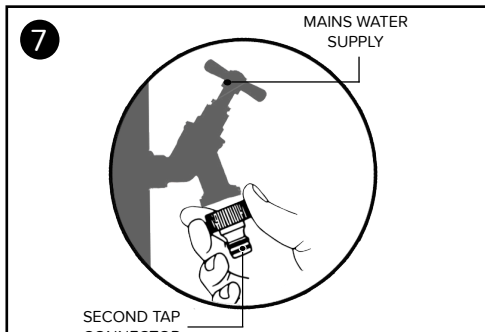
REMOVE THE VESSEL LID AND THE WATER CONTROL VALVE COVER. INSERT THE WATER CONTROL VALVE INTO THE HOLE AND FIT THE SILICONE WASHER (b) AND SCREW LOCKING NUT (a) ONTO THE WATER INLET. TIGHTEN THE NUT UNTIL VALVE IS FITTED TIGHTLY ONTO THE LID.



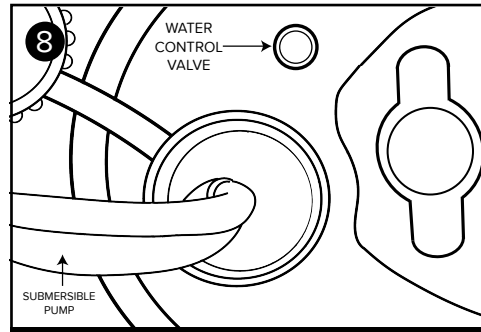
OPEN THE HOSE PIPE AND ATTACH THE 'AUTO STOP' CONNECTOR AT ONE END AND THE SECOND CONNECTOR TO THE OTHER END.



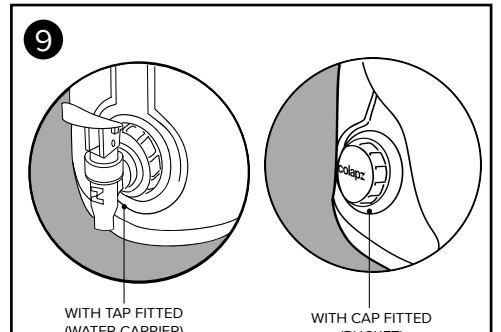
REPLACE THE LID ONTO THE VESSEL ENSURING IT IS FITTED SECURELY. SCREW THE TAP CONNECTOR TO THE WATER CONTROL VALVE. CONNECT THE 'AUTO STOP' HOSE CONNECTOR TO THE TAP CONNECTOR.



CONNECT THE OTHER END OF THE HOSE TO MAINS WATER SUPPLY USING THE SECOND TAP CONNECTOR.



DROP YOUR PUMP INTO THE LARGE CAP OPENING AND CONNECT THE PUMP TO YOUR CARAVAN. ONCE THE MAINS WATER IS TURNED ON THE VESSEL WILL FILL TO APPROXIMATELY 6-7 LITRES AND THE VALVE WILL AUTOMATICALLY SHUT OFF AND REFILL AS THE WATER IS USED.



YOUR VESSEL CAN ALSO BE CONVERTED TO A WATER CARRIER OR BUCKET BY FITTING THE TAP OR CAP TO THE FRONT WATER EXIT.

OPTIONAL EXTRA'S

