

SYNTHESIS 12/100 GAS CONVEYOR OVEN 1SV4503B



SPECIFICATIONS

Voltage	Single Phase, 230 VAC, 50/60 Hz
	Current at 220-240 V~, 4A
Max Power	820 Watts
Flame Control	Electronic without pilot
Gas Absorption	166 MJ/h NAT Gas, 166 MJ/h UPLG Gas
Injector Diameter (NAT)	(G20 - 20 mbar) - 8 x 2.15 mm
Injector Diameter (UPLG)	(G30 - 28...30 mbar) - 8 x 1.20mm
Min pressure (NAT)	(G20 - 20 mbar) - 0.32Kpa
Max pressure (NAT)	(G20 - 20 mbar) - 1 kPa
Min pressure (UPLG)	(G30 - 28...30 mbar) - 0.9Kpa
Max pressure (UPLG)	(G30 - 28...30 mbar) - 2.75 kPa
Consumption (NAT)	(G20 - 20 mbar) 4,868 m3/h
Consumption (UPLG)	(G30 - 28...30 mbar) 3,628 Kg/h
Gas Pipe	1/2 inch
Weight	450 kg
Conveyor Width	40" (1010 mm)
Conveyor Length	2330mm
Chamber Length	1200mm
Chamber Height	100mm
Cable Length	2m
Plug Supplied	Yes, 10 amps
Noise level	< 70 decibels
Max Humidity	95% without condensation
Ambient Temperature	0 - 40°C
Thermostat	320°C
Time Range	1:45 minutes - 30 minutes (or complete halt)
Warranty	4 Year Warranty (2 yr Labour 4 yr Parts)



Main Features

- Made entirely from stainless steel
- Double glazed full width inspection door
- Easy access for thorough cleaning
- Cooling system for contact parts
- Omnidirectional wheels with breaks
- Conveyor belt with variable speed down to a complete halt
- 100 mm high cooking chamber
- Fine tuning of the ventilation flow
- Jets of hot air completely wrap the product as it moves along the wire mesh conveyer giving an evenly cooked result time after time
- All Synthesis ovens are stackable so you can step up your productivity to meet peak demand
- Management of 6 cooking programs: for each program you can set the cooking time and temperature
- Economy function keeps the oven at a lower temperature if it doesn't need to be operated at full working temperature
- Timer for programmed start, digital clock and self diagnostics

DIMENSIONS

External Width	2450mm	Internal Width	1300mm
External Depth	1980mm	Internal Depth	1000mm
External Height	720mm	Internal Height	100mm

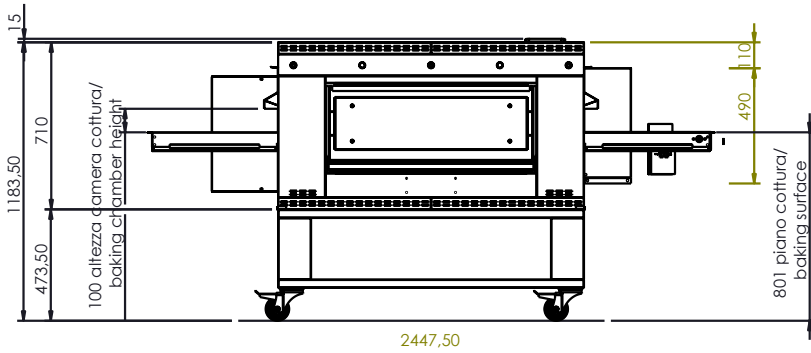


Phone: 1800 183 818 Email: support@thegoodlady.com.au
Website: www.thegoodlady.com.au

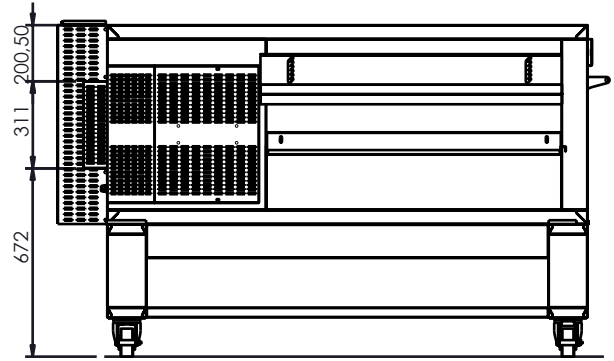
SYNTHESIS 12/100 SINGLE STACK CONVEYOR



FRONT

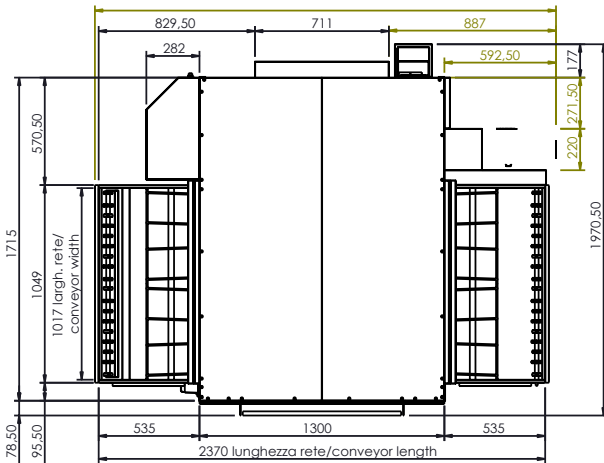


SIDE

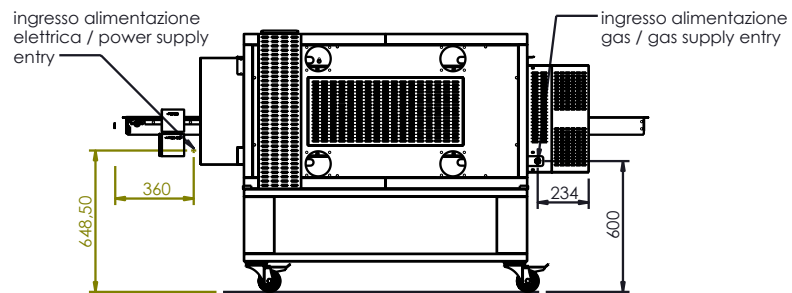


jlabi L1 jlabi	ml q b k w ^ = L = ml t b o	
	GAS kW-(Kcal/h)	ELETTRICA kW
12/100V GAS	45-(38700)	

TOP



REAR



We reserve the right to alter specifications without notice.



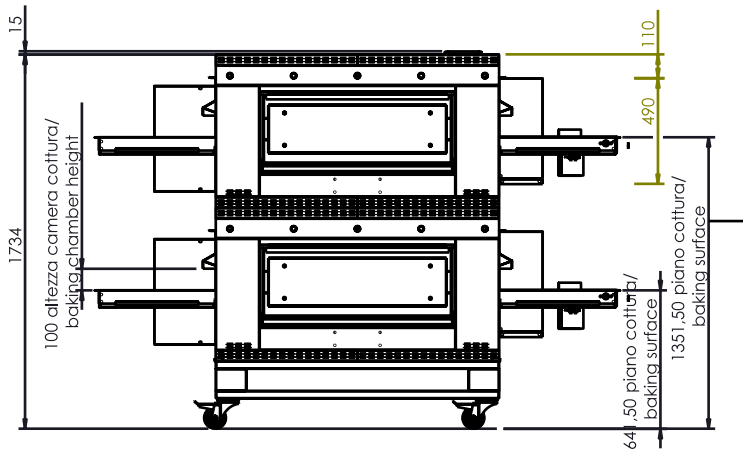
THE GOOD LADY

Phone: 1800 183 818 Email: support@thegoodlady.com.au
Website: www.thegoodlady.com.au

SYNTHESIS 12/100 DOUBLE STACK CONVEYOR

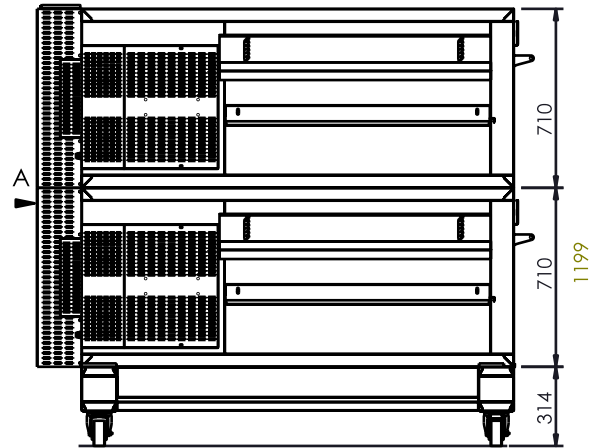


FRONT

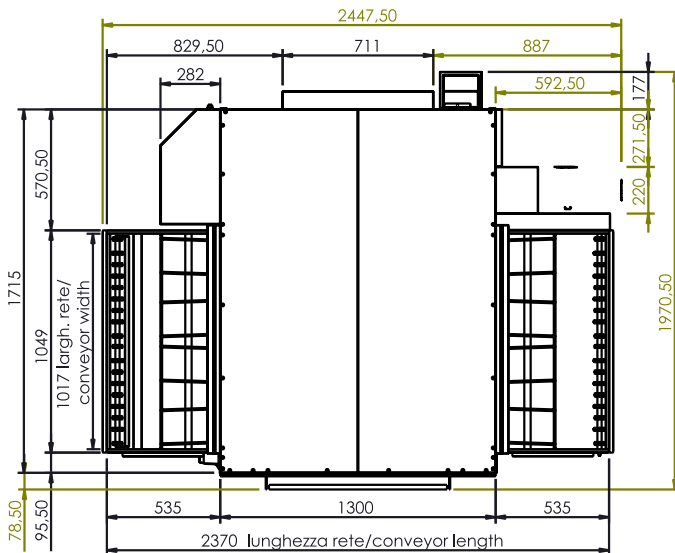


MODELLO / MODEL	POTENZA / POWER	
	GAS kW-(Kcal/h)	ELETTRICA kW
12/100V GAS	45-(38700)	
TOTALE N°2 MODULI/ TOTAL N°2 MODULES	90-(77400)	

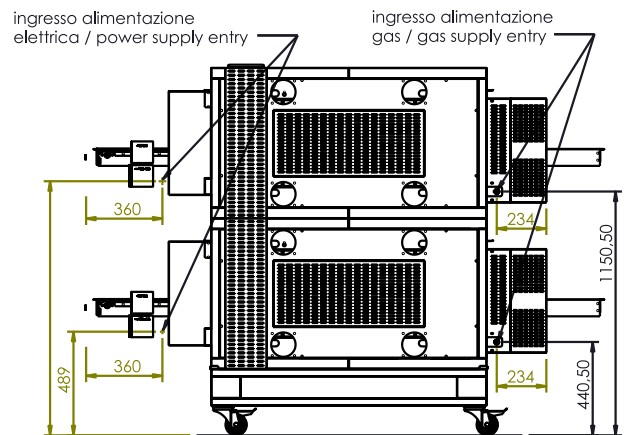
SIDE



TOP



REAR



We reserve the right to alter specifications without notice.



THE
GOOD
LADY

Phone: 1800 183 818 Email: support@thegoodlady.com.au
Website: www.thegoodlady.com.au