

SYNTHESIS 08/50 GAS CONVEYOR OVEN 1SV4402B



SPECIFICATIONS

Voltage	Single Phase, 230 VAC, 50/60 Hz
	Current at 220-240 V~, 2A
Max Power	450 Watts
Flame Control	Electronic without pilot
Gas Absorption	55 MJ/h NAT Gas, 50 MJ/h ULPG Gas
Injector Diameter (NAT)	(G20 - 20 mbar) - 2 x 2.35 mm
Injector Diameter (ULPG)	(G30 - 28...30 mbar) - 2 x 1.35 mm
Min pressure (NAT)	(G20 - 20 mbar) - 0.3Kpa
Max pressure (NAT)	(G20 - 20 mbar) - 1 kPa
Min pressure (ULPG)	(G30 - 28...30 mbar) - 0.8Kpa
Max pressure (ULPG)	(G30 - 28...30 mbar) - 2,75 kPa
Consumption (NAT)	(G20 - 20 mbar) - 1,471 m3/h
Consumption (UPLG)	(G30 - 28...30 mbar) - 1,096 Kg/h
Gas Pipe	1/2"
Weight	200 kg
Conveyor Width	20" (500mm)
Conveyor Length	1670mm
Chamber Length	850 mm
Chamber Height	100mm
Cable Length	2m
Plug Supplied	Yes, 10 amps
Noise level	< 70 decibels
Max Humidity	95% without condensation
Ambient Temperature	0 - 40°C
Thermostat	320°C
Time Range	1:45 minutes - 30 minutes (or complete halt)
Warranty	4 Year Warranty (2 yr Labour 4 yr Parts)



Main Features

- Made entirely from stainless steel
- Double glazed full width inspection door
- Easy access for thorough cleaning
- Cooling system for contact parts
- Omnidirectional wheels with breaks
- Conveyor belt with variable speed down to a complete halt
- 100 mm high cooking chamber
- Fine tuning of the ventilation flow
- Jets of hot air completely wrap the product as it moves along the wire mesh conveyer giving an evenly cooked result time after time
- All Synthesis ovens are stackable so you can step up your productivity to meet peak demand
- Management of 6 cooking programs: for each program you can set the cooking time and temperature
- Economy function keeps the oven at a lower temperature if it doesn't need to be operated at full working temperature
- Timer for programmed start, digital clock and self diagnostics

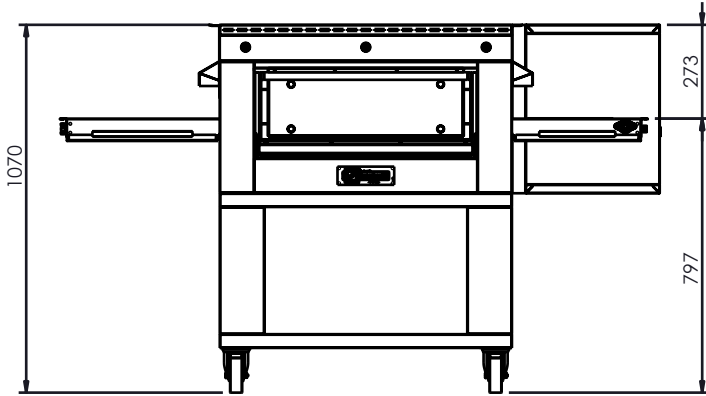
DIMENSIONS

External Width	1750mm	Internal Width	850mm
External Depth	1260mm	Internal Depth	510mm
External Height	490mm	Internal Height	100mm



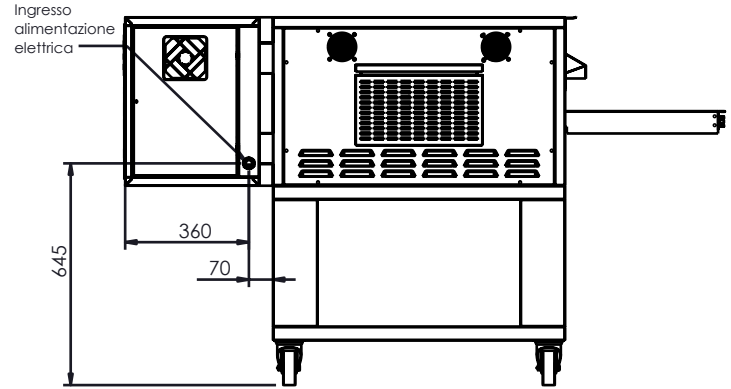
Phone: 1800 183 818 Email: support@thegoodlady.com.au
Website: www.thegoodlady.com.au

FRONT

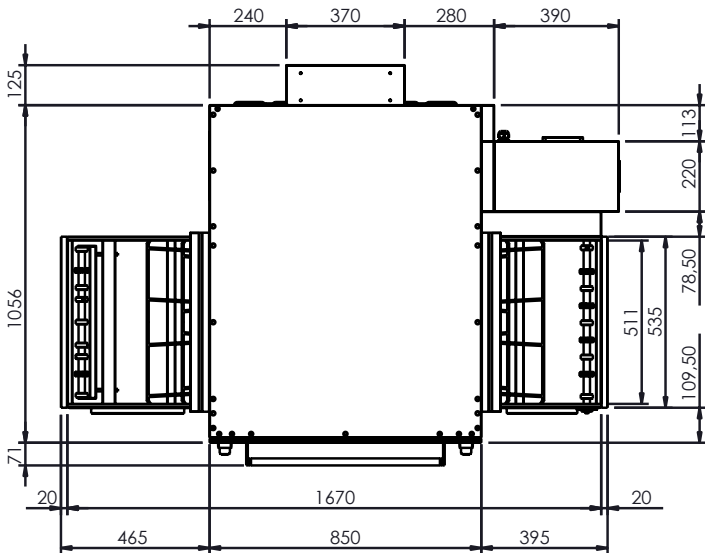


Num. articolo	Quantità	Descrizione	Potenza el
11		0SV2A05	
21		2SV4404	13.8+0.44Kw Power

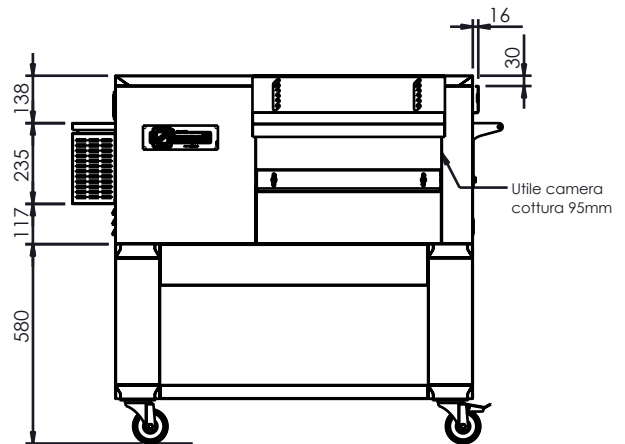
SIDE



TOP



REAR



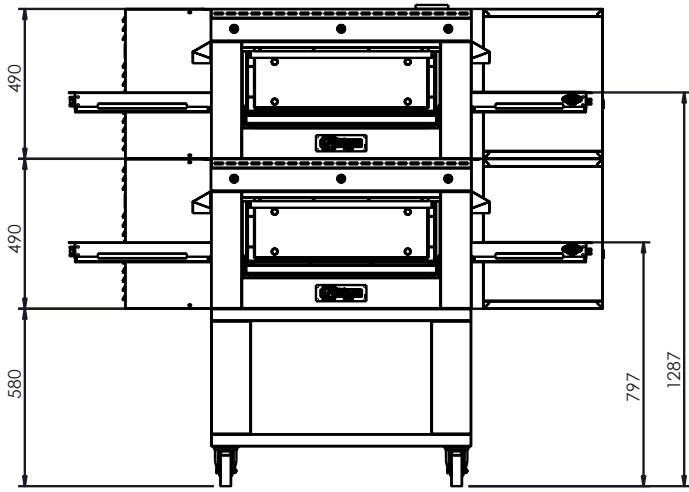
We reserve the right to alter specifications without notice.



**THE
GOOD
LADY**

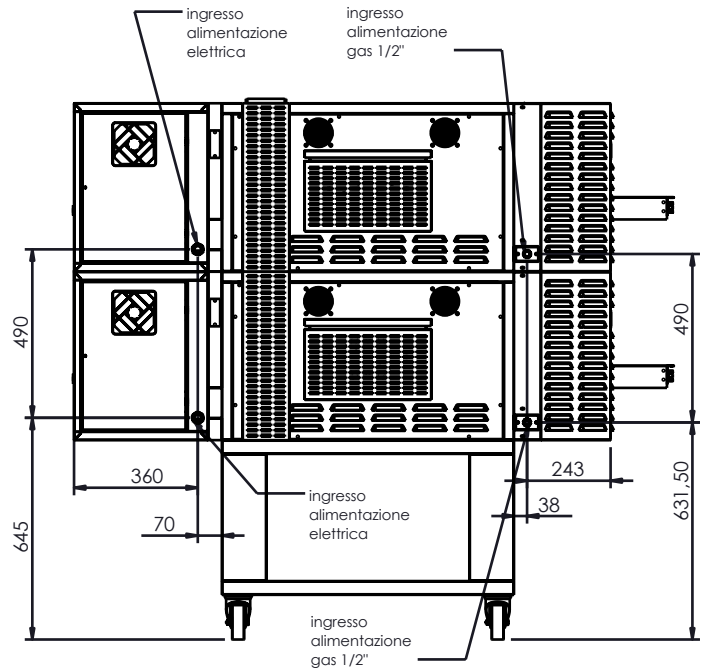
Phone: 1800 183 818 Email: support@thegoodlady.com.au
Website: www.thegoodlady.com.au

FRONT

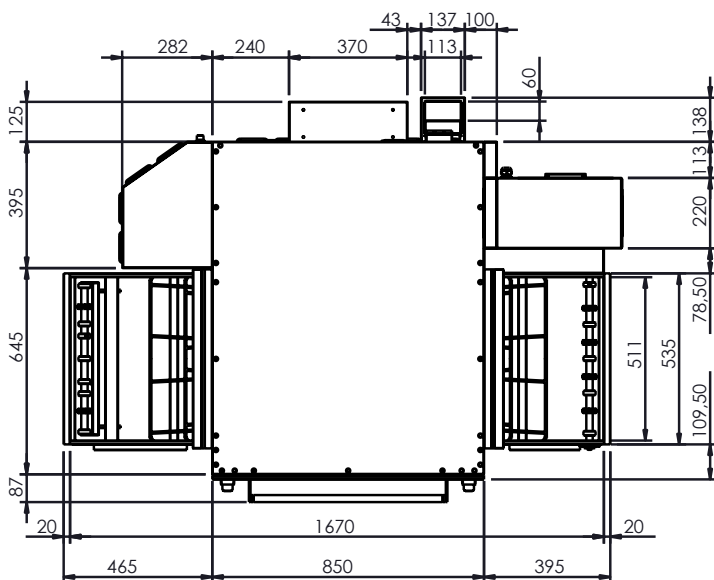


Num. articolo	Quantità	Descrizione	potenza gas	potenza el
11		0SV2A05		
22		1SV4402	27.8Kw (24000Kcal/h)	0.88Kw

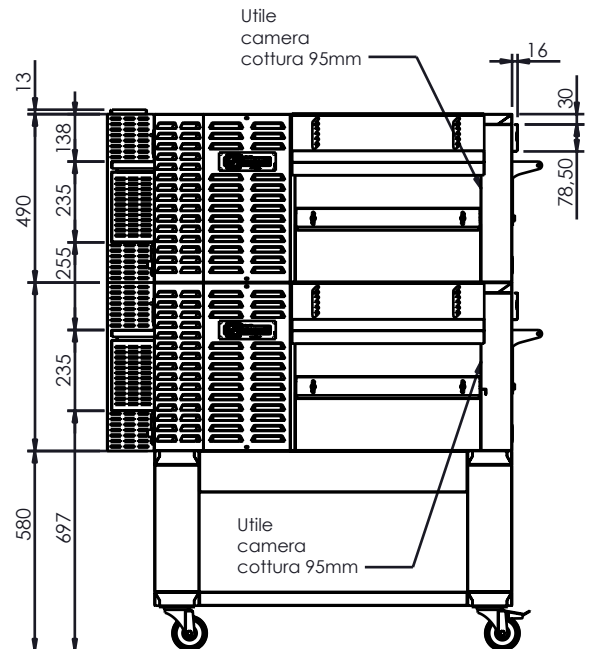
SIDE



TOP



REAR



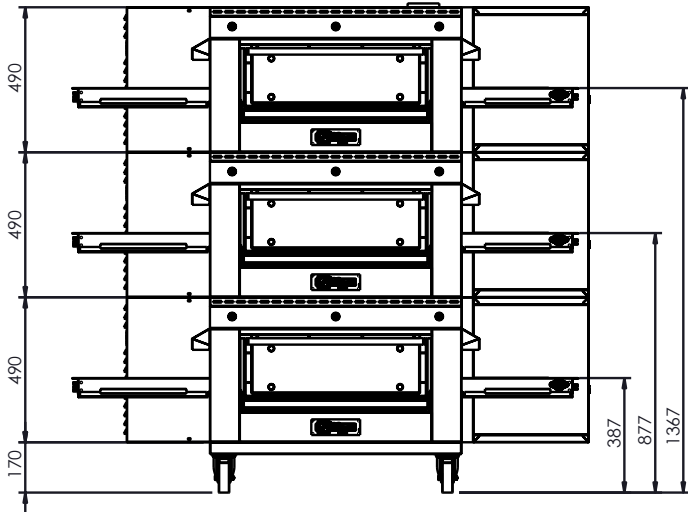
We reserve the right to alter specifications without notice.



**THE
GOOD
LADY**

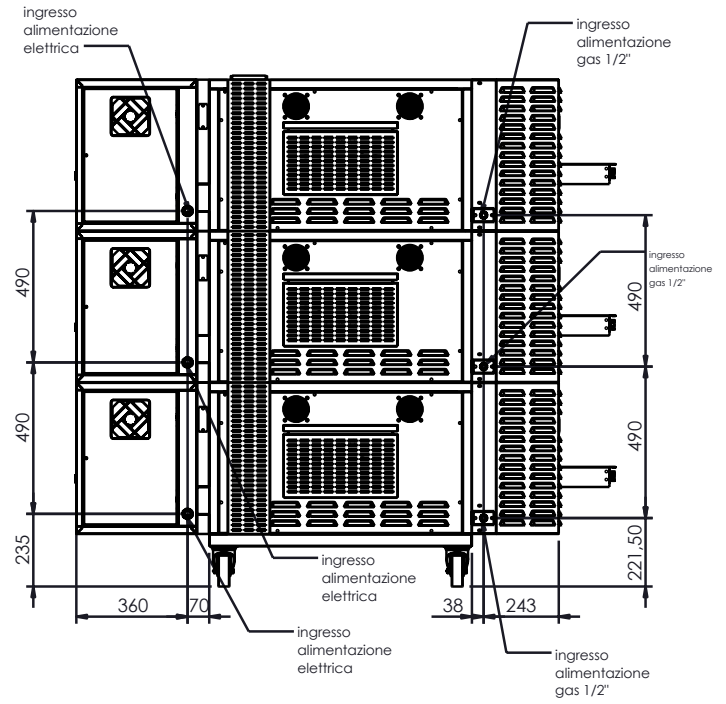
Phone: 1800 183 818 Email: support@thegoodlady.com.au
 Website: www.thegoodlady.com.au

FRONT

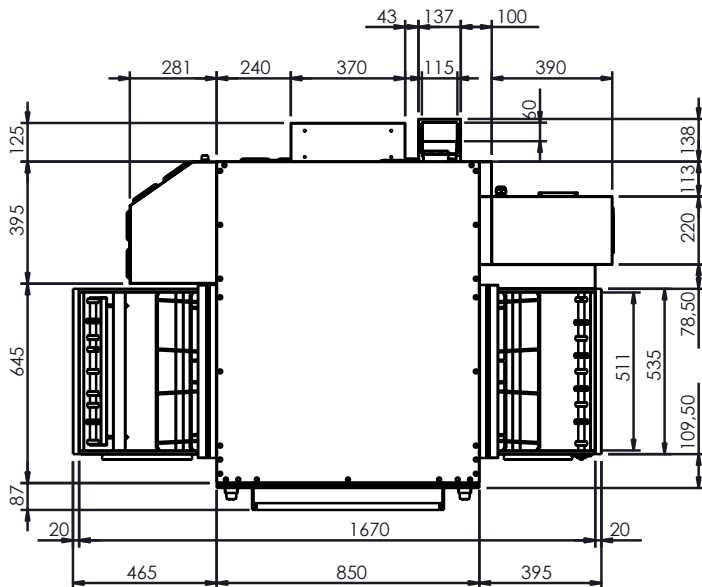


Num. articolo	Quantità	Descrizione	Potenza gas	Potenza el
11		OSV2A08		14847.60
23		1SV4402	41.7Kw (36000Kcal/h)	1.32Kw

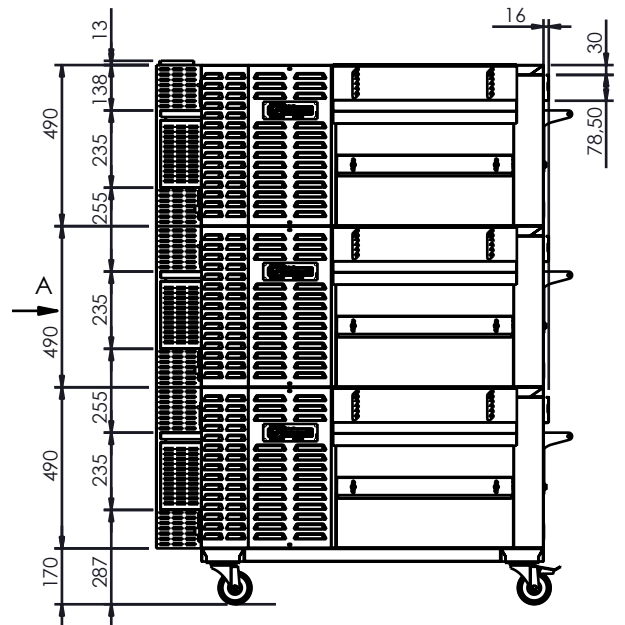
SIDE



TOP



REAR



We reserve the right to alter specifications without notice.



**THE
GOOD
LADY**

Phone: 1800 183 818 Email: support@thegoodlady.com.au
Website: www.thegoodlady.com.au