

Main Features

- Bakes 9 x 34cm pizzas at one time with complete control using patented P.R.S System.
- Advanced visual control panel offers complete customization and versatility of all baking parameters including auto-pilot start mode, exhaust discharge adjustments, 9 baking programs, rotation variations & top and bottom heating control
- Quickly reaches working temperature of 300°C in less than 30 minutes and 420° in less than 45 minutes
- Double glazed glass door along with sealing fiber chamber gaskets & rock-wool ceramic fibre insulation prevents burn, reduces any heat loss and allows the user to bake with the door open
- Economy mode forces the ceiling and floor resistors to switch on limiting the required power by 50%
- Well lit interior chamber light
- Fully constructed in high grade (AISI) 304 stainless steel
- Includes castors with brakes



Pizza Recall System

The Prince is the only rotating oven in the world with a touch screen and the innovative Pizza Recall System.

HOW DOES IT WORK?

A diagram on the touch screen of the oven represents the eight sections inside the baking chamber. When you touch a section on this diagram, the oven immediately accelerate its rotation and bring the corresponding pizza to the front of the oven. From there you can inspect it, and if it's ready take it out and serve.

SPECIFICATIONS

Voltage	400 Volt AC 3/N/PE
Power	16kw
Weight	600 kg
Plug Supplied	NO
Capacity	9 x 34cm pizza
Thermostat	60-450°C
Warranty	4 Year Warranty (2 yr Labour 4 yr Parts)

DIMENSIONS

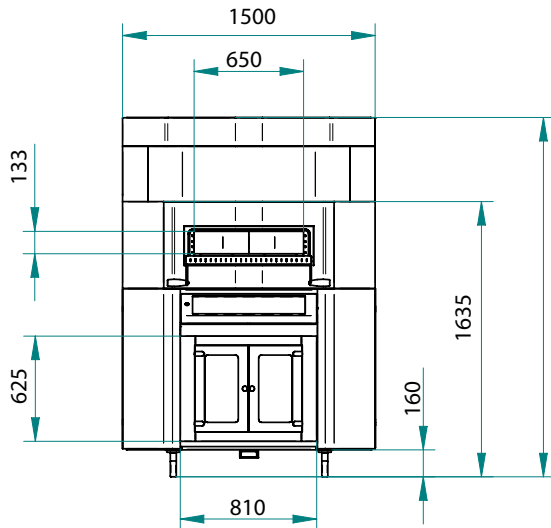
External Width	1500mm		
External Depth	1685mm		
External Height	1630mm	Height with Hood	2130mm

ACCESSORIES

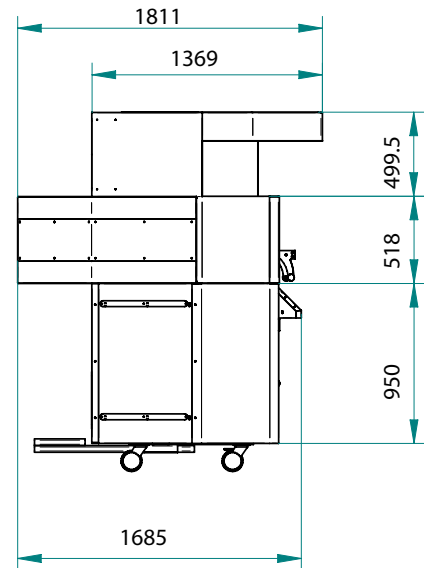
Extractor Hood	AFOCAPP9
Double Door Proofer Insert	AFOCELUN

PRINCE FORP9TR400

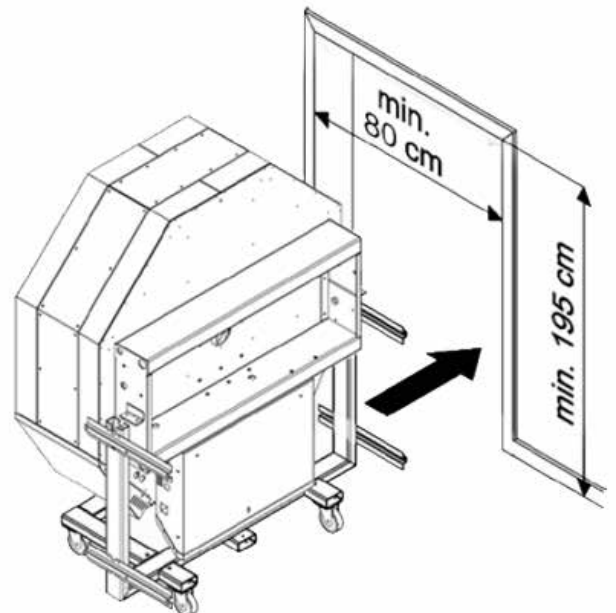
FRONT



SIDE



TOP

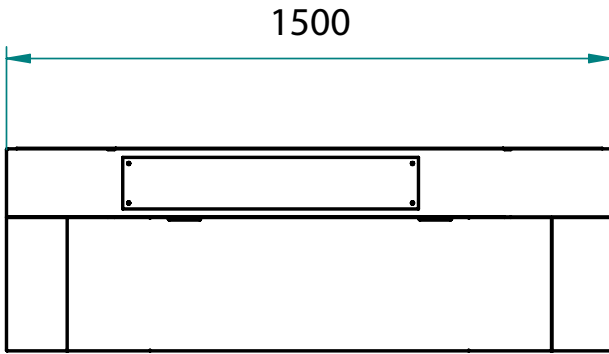


We reserve the right to alter specifications without notice.

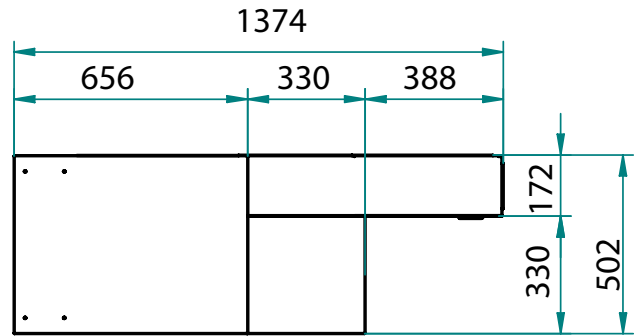
PRINCE -
FORP9TR400

EXTRACTOR HOOD
AFOCAPP9

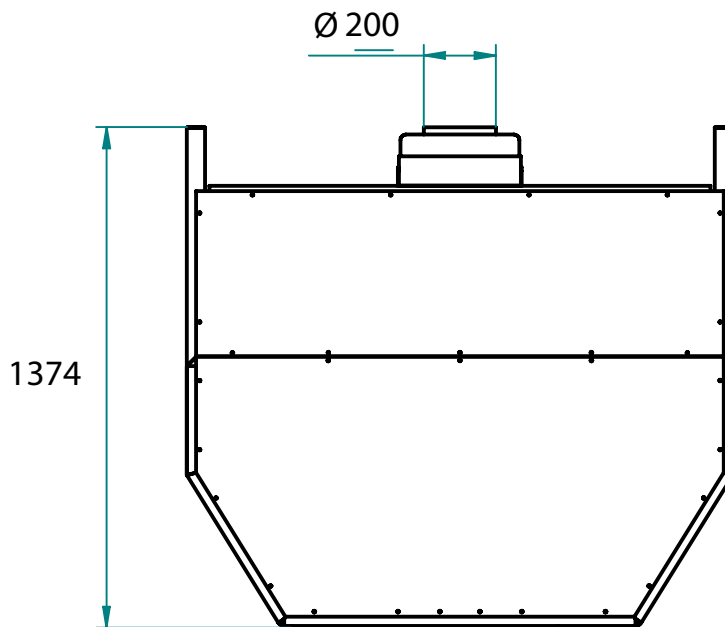
FRONT



SIDE



TOP



We reserve the right to alter specifications without notice.



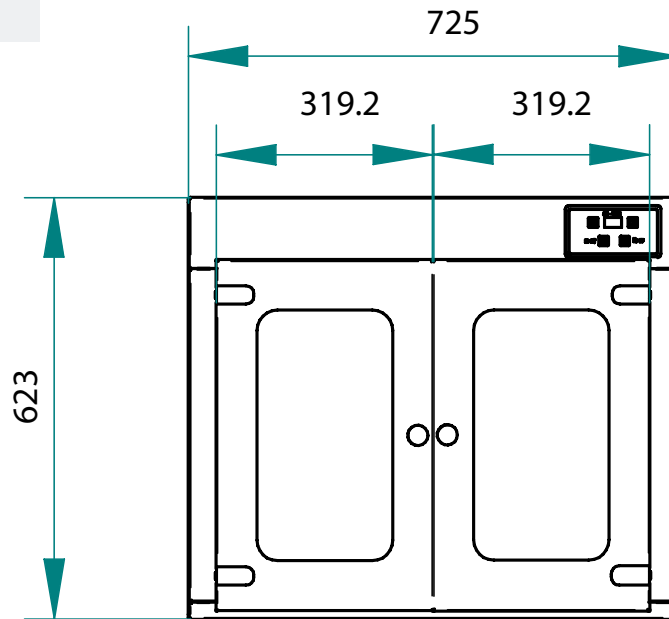
**THE
GOOD
LADY**

Phone: 1800 183 818 Email: support@thegoodlady.com.au
Website: www.thegoodlady.com.au

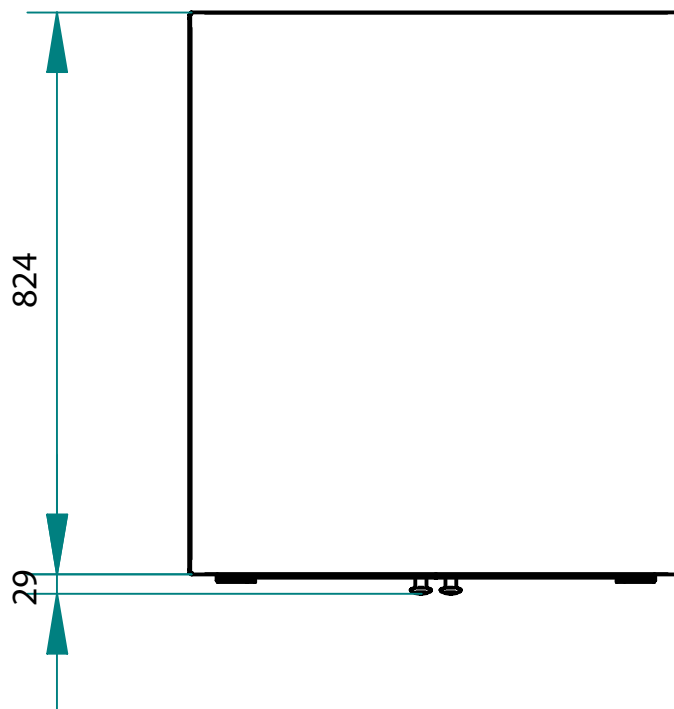
PRINCE -
FORP9TR400

DOUBLE DOOR PROOFER
AFOCELUN

FRONT



TOP



We reserve the right to alter specifications without notice.



**THE
GOOD
LADY**

Phone: 1800 183 818 Email: support@thegoodlady.com.au
Website: www.thegoodlady.com.au