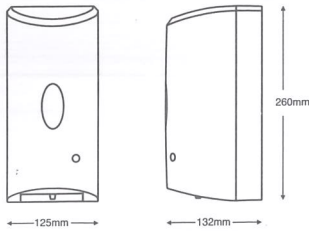
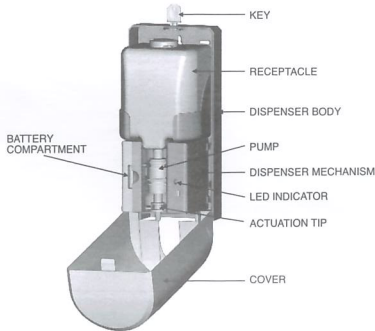


7960 ELECTRONIC SOAP DISPENSER INSTRUCTION



Electronic Soap Dispenser Parts Breakdown



INSTALLATION METHOD

1. Insert the key into the hole located at the top of the dispenser, push down with the key and pull the cover towards you. The cover controls a power interlock switch located in the dispenser. In the closed position, the cover will activate the power switch. The dispenser will not activate when the cover is in the open position.
2. Open the cover. Using the back plate as a template, mark screw hole locations on the wall. Install supplied anchors in the wall. Secure the dispenser with the supplied screws.
3. Remove the battery compartment by depressing the compartment tab pulling the compartment towards you. Insert six(6) AA size alkaline as diagramed in the battery compartment. Replace the battery compartment by sliding the compartment towards the back of the dispenser until it clicks into place.

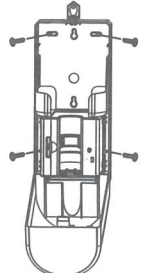


FIGURE 1

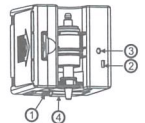


FIGURE 2

USAGE:

1. Fill the receptacle with soap.
2. Close the cover and the LED will flash 3 times indicating the dispenser is ready for use. Place hand(s) underneath the dispenser within 5" of the sensor, the dispenser will dispense approximately 0.4ml of soap into your hand(s). If additional soap is needed, open the cover and put the toggle switch (figure 2) to 2 or 3, the dispenser will work 2 or 3 times. The LED will flash until the dispenser finishes.

- Note:**
1. The dispenser cover must be closed to activate.
 2. When the supply voltage is low, the LED will blink continuously, and then the dispenser won't work, please change the batteries immediately.

1. POWER SWITCH
2. TOGGLE SWITCH
3. LED INDICATOR
4. SENSOR PARTS

Please pass the instruction to the user after installation.

Troubleshooting quickly:

1. If there is no machine response, check:-
 - The batteries are installed correctly
 - The adaptor light is lit
 - Is the DC plug loose
 - Is there any rust in the battery compartment or the DC seat, this may indicate a leak from the dispenser mechanism.
2. If the LED Indicator light is flashing at 1 second intervals, this can indicate the following:-
 - Low battery
 - Battery replacement needed
 - Wrong adaptor (DO NOT USE OTHER VOLTAGE ADAPTOR)
 - If you have replaced the battery or adaptor and there is still red flashing at 1 second intervals, ensure that the unit is not wet and if flashing persists please contact the manufacturer.
3. The bottom of the machine should be installed at least 25cm away from any surface to avoid the machine self dispensing. If the LED indicator light is flashing red rapidly, it indicates that the unit is self dispensing, check that there is no subject within 25cm at the bottom of the unit. If check and the unit is still flashing red rapidly, install the machine 10cm high.

