

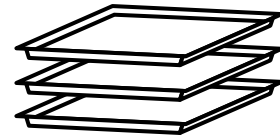
## Main Features

- Fan forced convection oven control
- Advanced visual control panel offers complete customization and versatility of all baking & steam parameters
- 80mm Rockwool insulation that drastically reduces any heat waste
- Double glazed glass door(s) along with sealing fiber chamber gaskets prevents burn, reduces any heat loss and wastage
- Economy switch that saves up to 50% energy when the oven is not in use
- Vaporized water release system
- Stainless steel baking floor or refractory stone options available
- Store up to 9 baking programs
- Auto mode to set switching on time
- Baking chamber internal height 25 cm
- Display for setting the length of vaporized water release
- Temperature display
- Top and bottom power display
- Double bulb in each baking chamber
- Rotating ergonomic handle that follows the natural movement of the wrist
- Ergonomically designed for confined spaces and use of short shovel with the glass opening up and pull out sliding table
- Fully constructed in high grade (AISI) 304 stainless steel



3 tray capacity

60 x 40 cm



## SPECIFICATIONS

Voltage	400 Volt AC 3/N/PE
	230 Volt AC 1/N/PE
Power	9,0 kW
Weight	215 kg
Plug Supplied	NO
Capacity	3 x (60 x 40cm) tray
Thermostat	60-460°C
Warranty	4 Year Warranty (2 yr Labour 4 yr Parts)

## DIMENSIONS

External Width	1700mm	Internal Width	1250mm
External Depth	1100 mm	Internal Depth	615mm
External Height	430mm	Internal Height	250mm

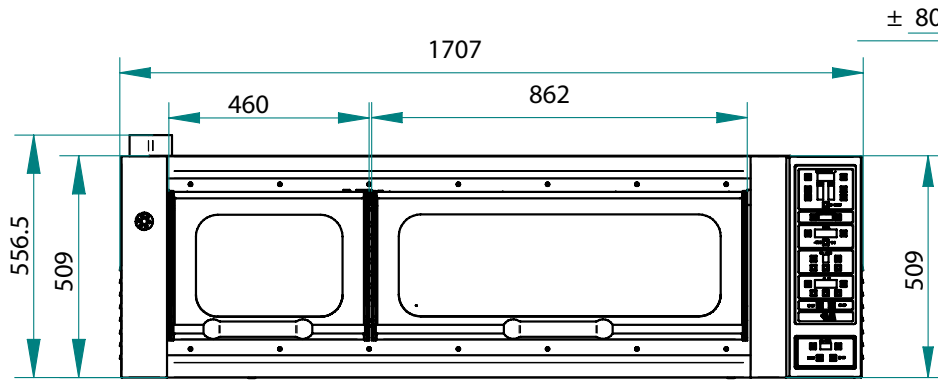
## ACCESSORIES

Single Deck Stand	AFOPIEDBAKTRAY3NR1M
Double Deck Stand	AFOPIEDBAKTRAY3NR2M
Triple Deck Stand	AFOPIEDBAKTRAY3NR3M
Extractor hood Stand	AFOCAPBAKERY3
Double Door Prover Insert	AFOCELUN

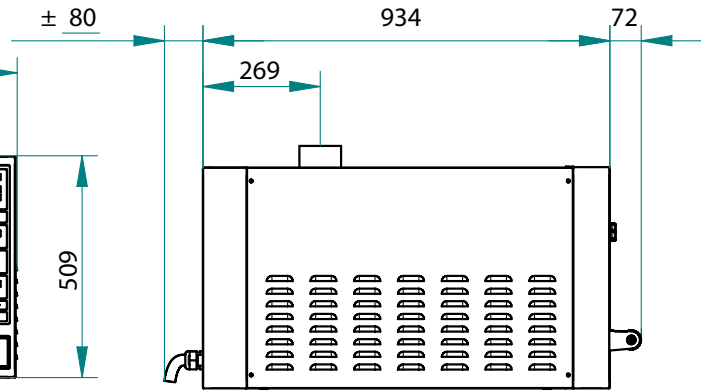
# AZZURRO BAKERY 3

## FORABAK3TR400

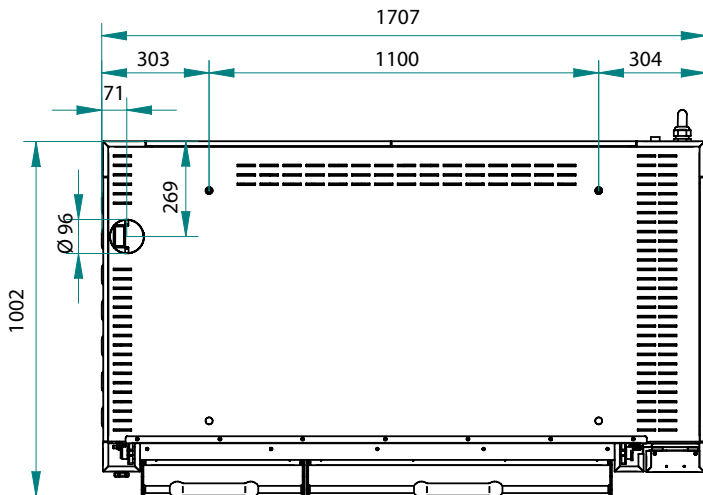
### FRONT



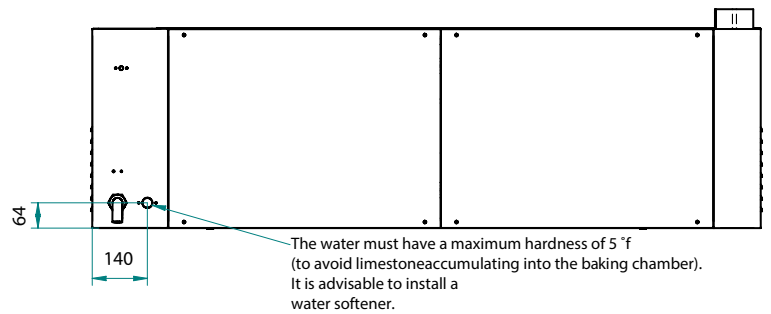
### SIDE



### TOP



### BACK



We reserve the right to alter specifications without notice.



THE  
GOOD  
LADY

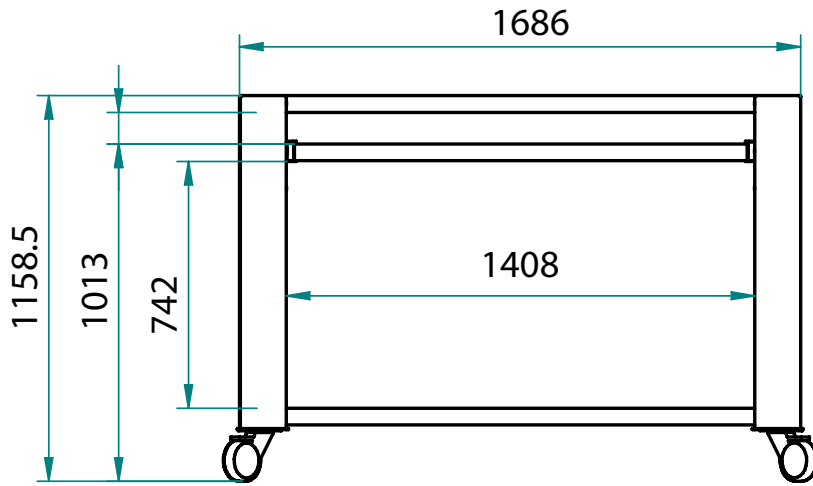
Phone: 1800 183 818 Email: support@thegoodlady.com.au  
Website: www.thegoodlady.com.au

# AZZURRO BAKERY 3 - SINGLE DECK STAND

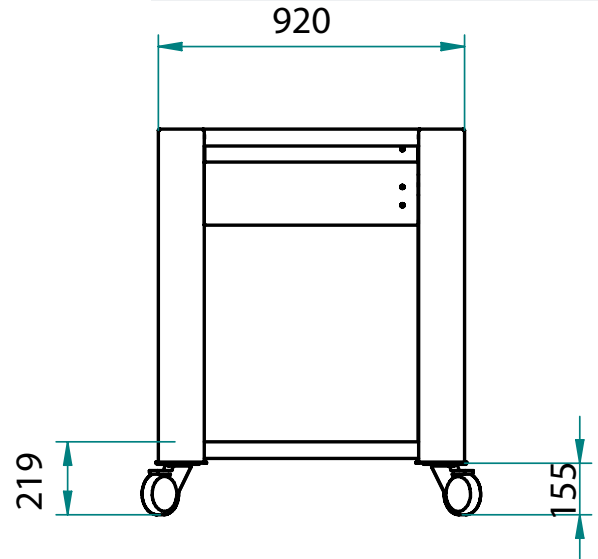
FORABAK3TR400

AFOPIEDBAKTRAY3NR1M

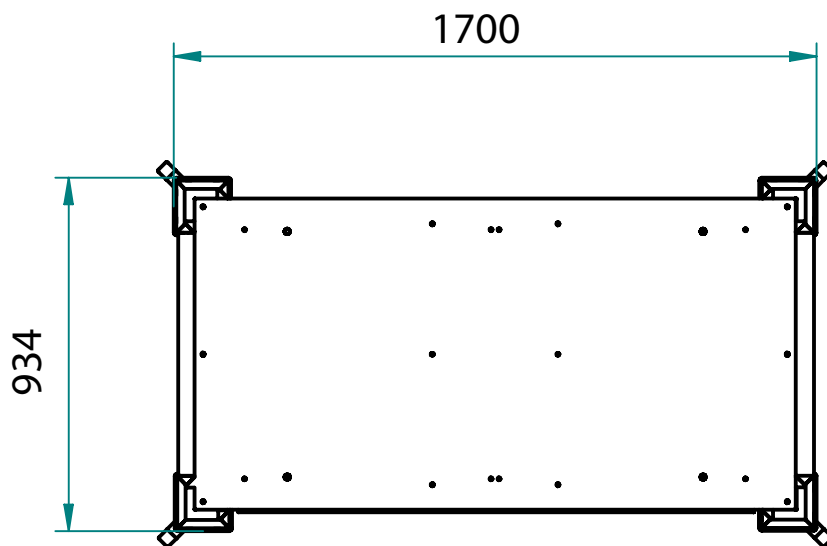
## FRONT



## SIDE



## TOP



We reserve the right to alter specifications without notice.



THE  
GOOD  
LADY

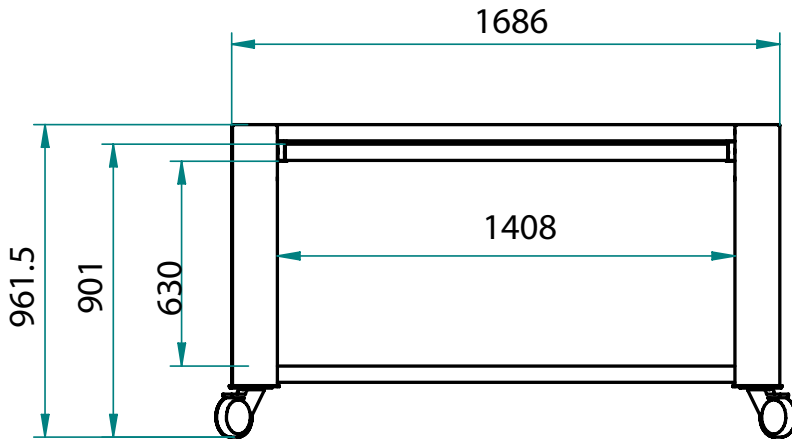
Phone: 1800 183 818 Email: [support@thegoodlady.com.au](mailto:support@thegoodlady.com.au)  
Website: [www.thegoodlady.com.au](http://www.thegoodlady.com.au)

# AZZURRO BAKERY 3 - DOUBLE DECK STAND

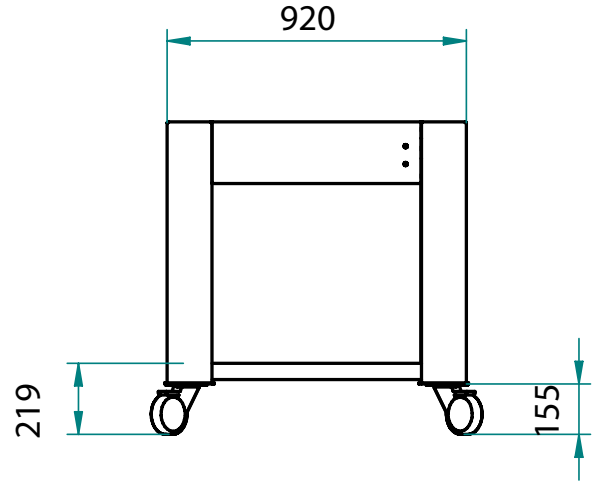
FORABAK3TR400

AFOPIEDBAKTRAY3NR2M

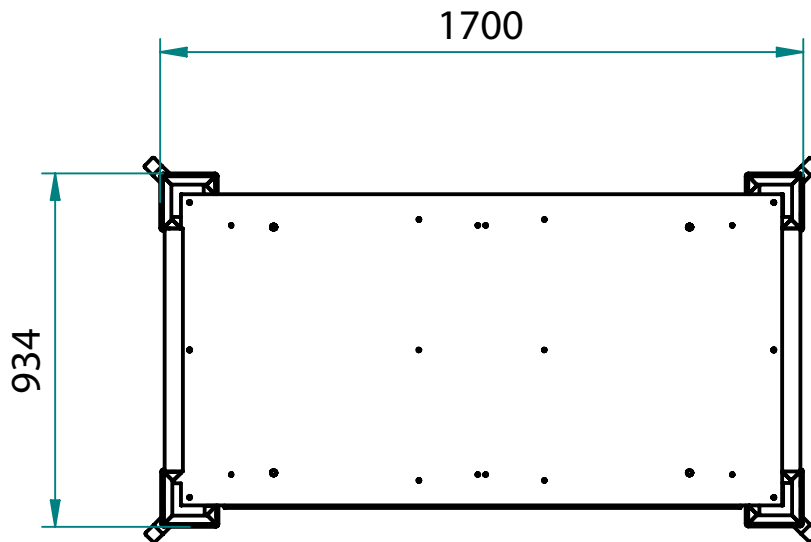
## FRONT



## SIDE



## TOP



We reserve the right to alter specifications without notice.



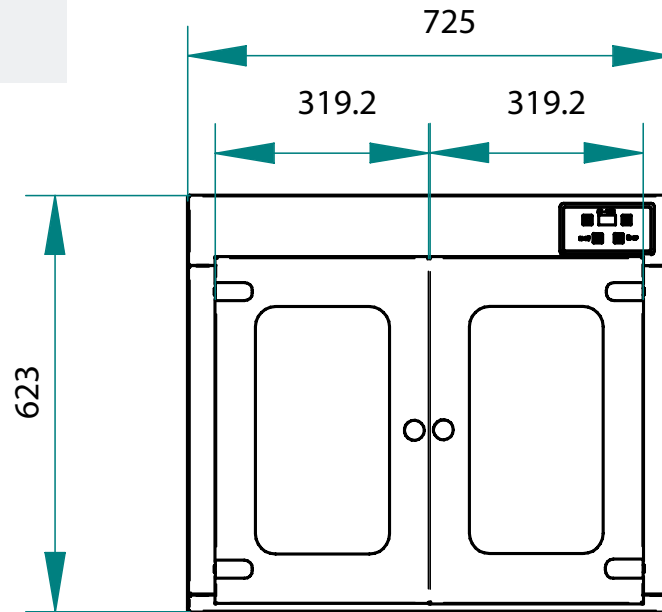
Phone: 1800 183 818 Email: [support@thegoodlady.com.au](mailto:support@thegoodlady.com.au)  
Website: [www.thegoodlady.com.au](http://www.thegoodlady.com.au)

# AZZURRO BAKERY 3 - DOUBLE DOOR PROOFER

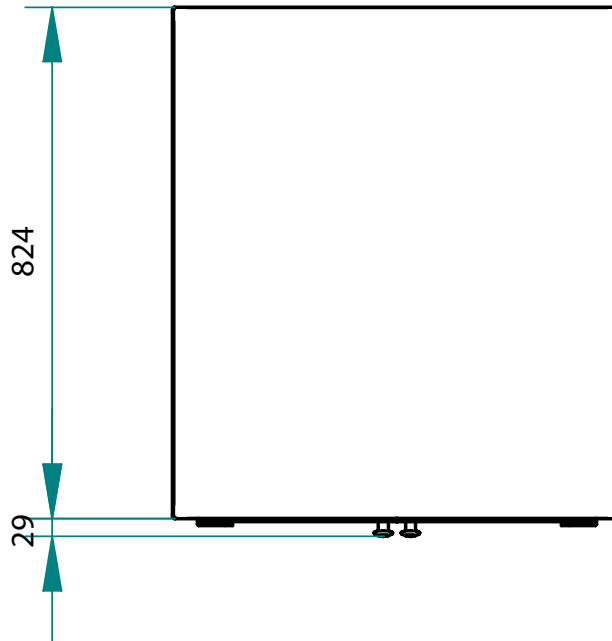
FORABAK3TR400

AFOCELUN

## FRONT



## TOP



We reserve the right to alter specifications without notice.