

Main Features

- Advanced visual control panel offers complete customization and versatility of all baking parameters
- Quickly reaches working temperature of 300°C in less than 30 minutes and 460° in less than 50 minutes
- Double glazed glass door along with sealing fiber chamber gas-kets & 80mm glass fiber insulation prevents burn, reduces any heat loss and allows the user to bake with the door open
- Economy mode forces the ceiling and floor resistors to switch on limiting the required power by 50%
- Fully constructed in high grade (AISI) 304 stainless steel
- Ergonomically designed for confined spaces and use of short shovel with the glass opening up and pull out sliding table
- Modular so can be stacked up to 3 units high



SPECIFICATIONS

Voltage	400 Volt AC 3/N/PE
	230 Volt AC 1/N/PE
Power	5,6 kW
Weight	167 kg
Plug Supplied	NO
Capacity	4 x 34cm pizza
Thermostat	60-460°C
Warranty	4 Year Warranty (2 yr Labour 4 yr Parts)

DIMENSIONS

External Width	1135mm	Internal Width	700mm
External Depth	935mm	Internal Depth	700mm
External Height	425mm	Internal Height	155mm

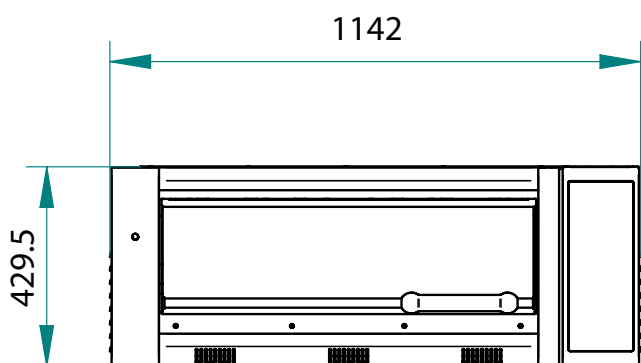
ACCESSORIES

Single Deck Stand	AFOPIEDAZ4NR1M
Double Deck Stand	AFOPIEDAZ4NR2M
Triple Deck Stand	AFOPIEDAZ4NR3M
Extractor Hood	AFOCAPKING4
Double Door Prover Insert	AFOCELUN

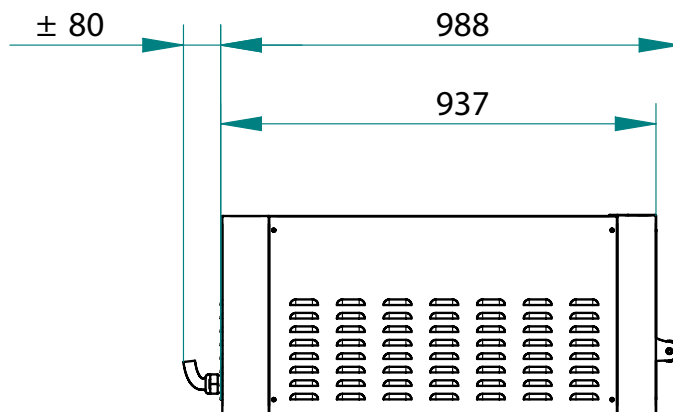
AZZURRO 4

FORA4TR400A

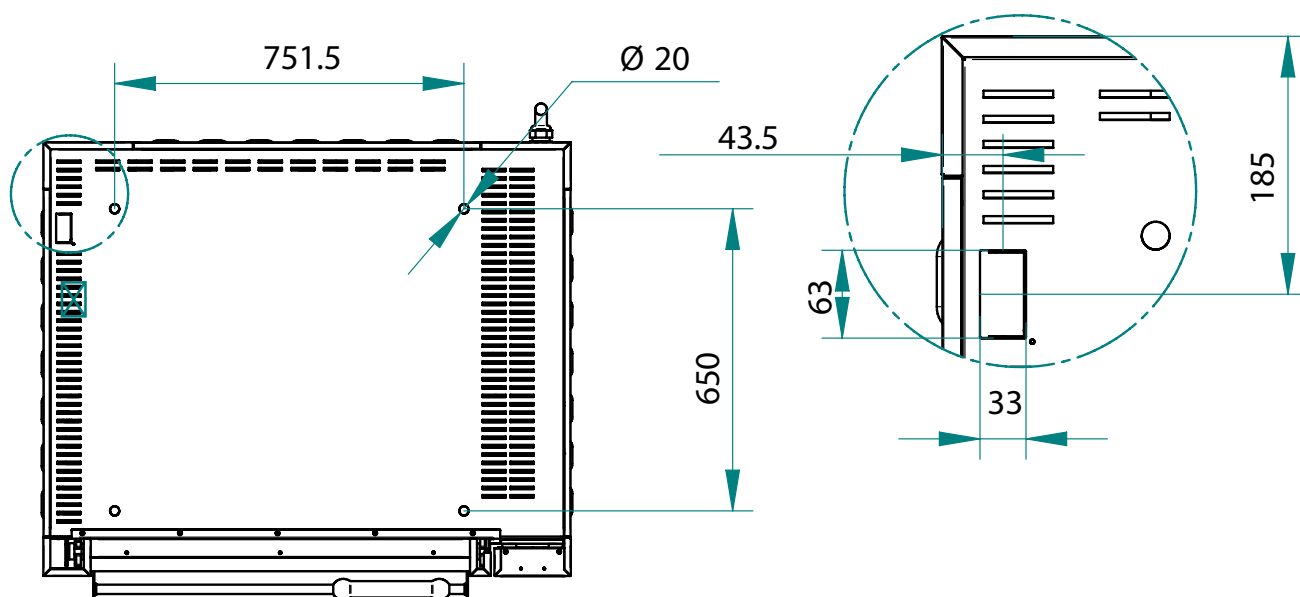
FRONT



SIDE



TOP



We reserve the right to alter specifications without notice.



THE
GOOD
LADY

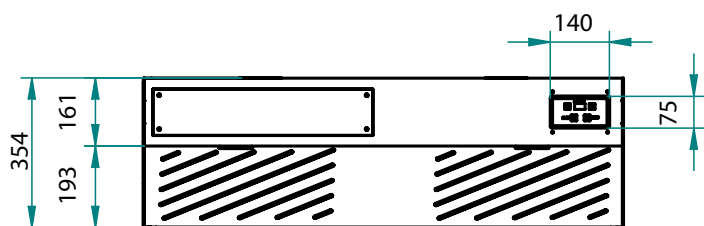
Phone: 1800 183 818 Email: support@thegoodlady.com.au
Website: www.thegoodlady.com.au

AZZURRO 4 - EXTRACTOR HOOD

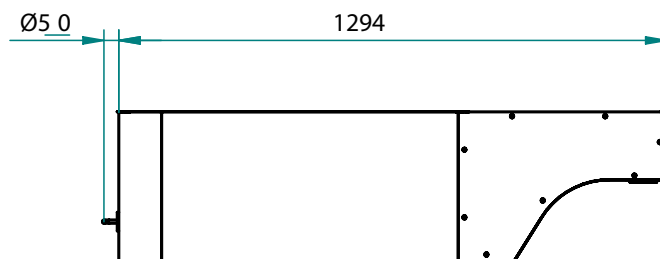
FORA4TR400A

AFOCAPKING4

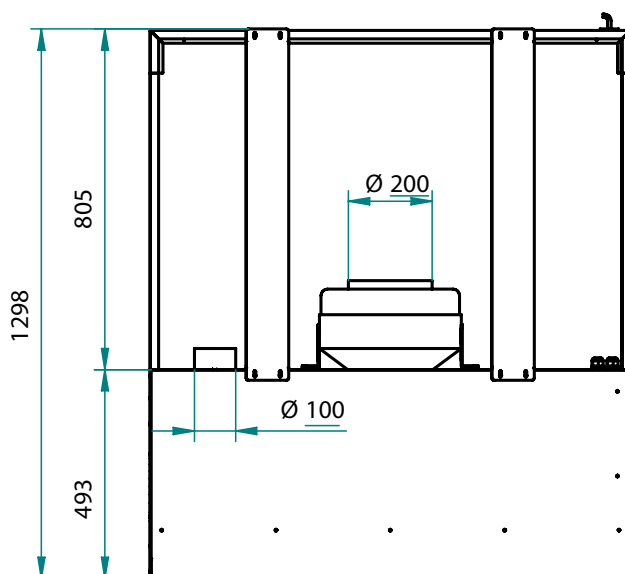
FRONT



SIDE



TOP



We reserve the right to alter specifications without notice.



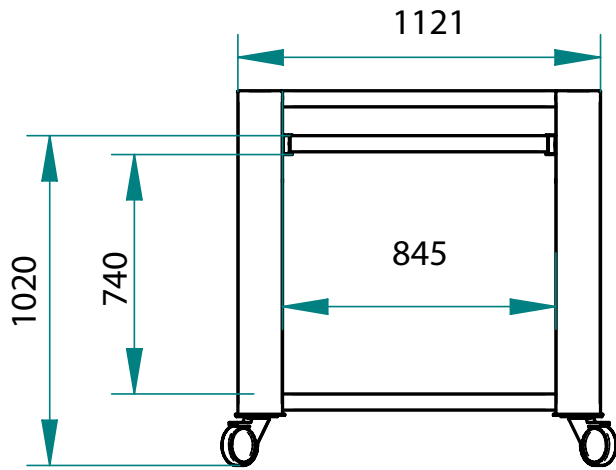
Phone: 1800 183 818 Email: support@thegoodlady.com.au
Website: www.thegoodlady.com.au

AZZURRO 4 - SINGLE DECK STAND

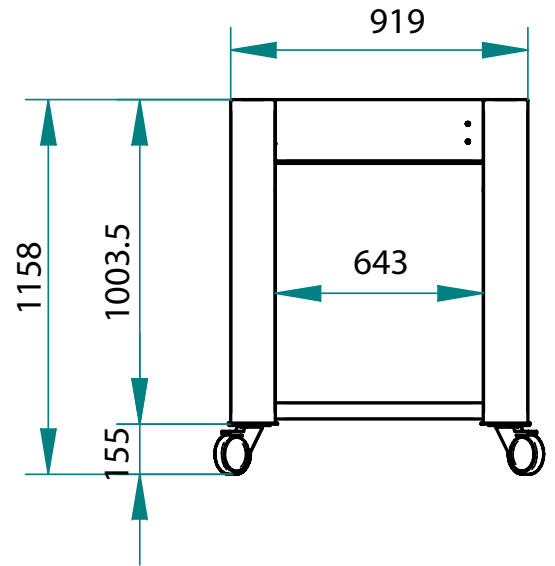
FORA4TR400A

AFOPIEDAZ4NR1M

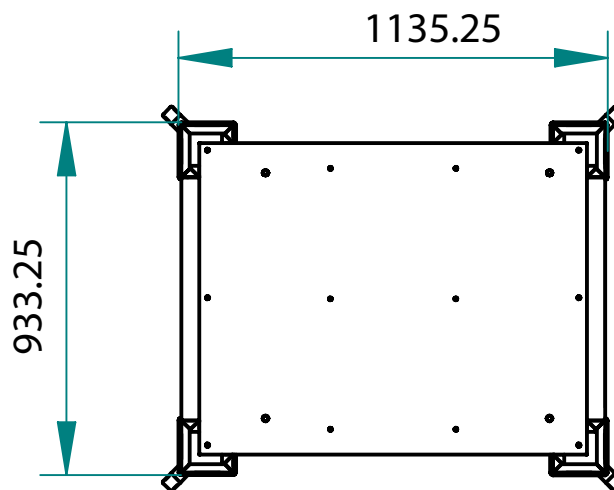
FRONT



SIDE



TOP



We reserve the right to alter specifications without notice.



THE
GOOD
LADY

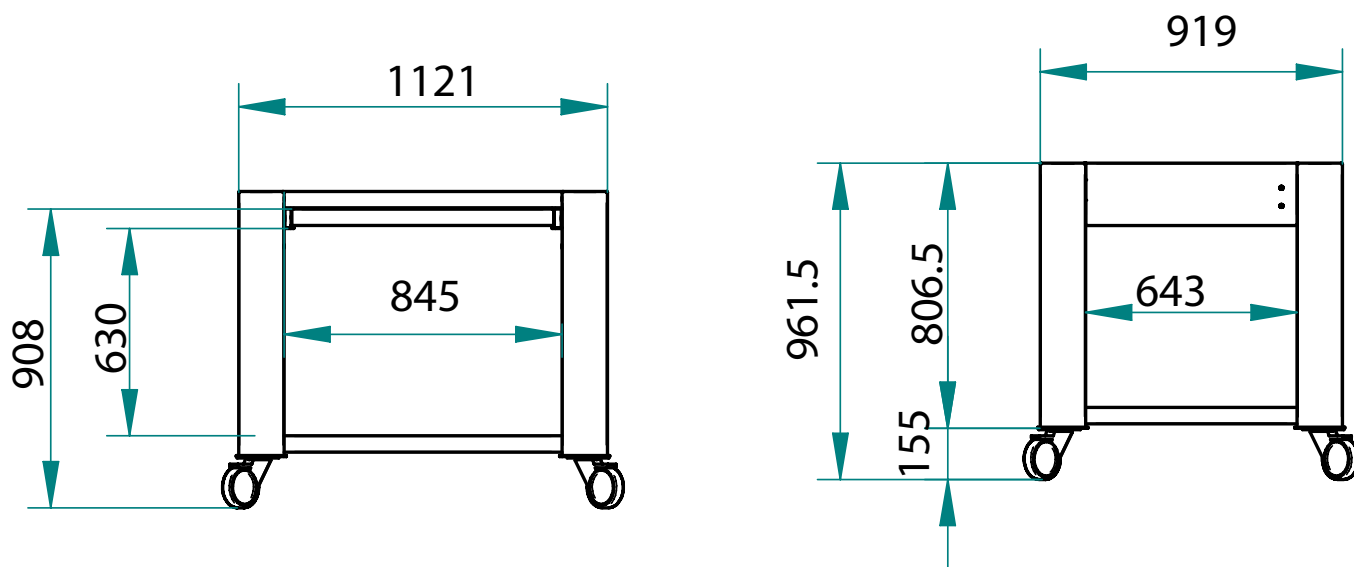
Phone: 1800 183 818 Email: support@thegoodlady.com.au
Website: www.thegoodlady.com.au

AZZURRO 4 - DOUBLE DECK STAND

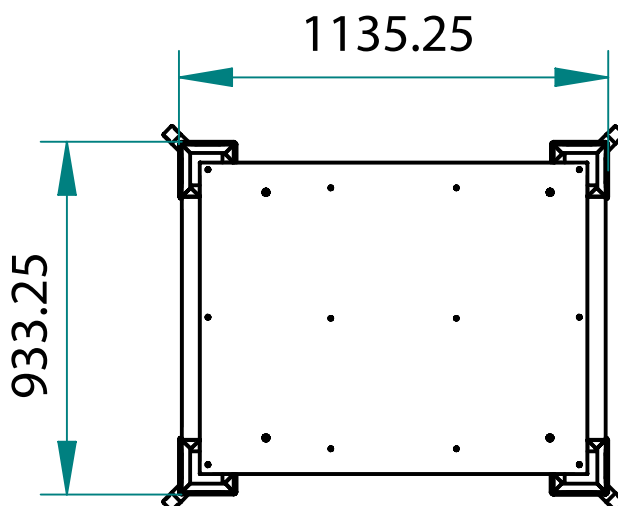
FORA4TR400A

AFOPIEDAZ4NR2M

FRONT



TOP



We reserve the right to alter specifications without notice.



THE
GOOD
LADY

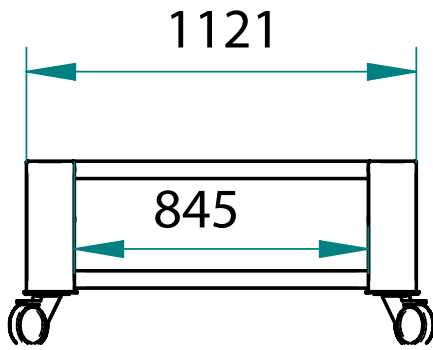
Phone: 1800 183 818 Email: support@thegoodlady.com.au
Website: www.thegoodlady.com.au

AZZURRO 4 - TRIPLE DECK STAND

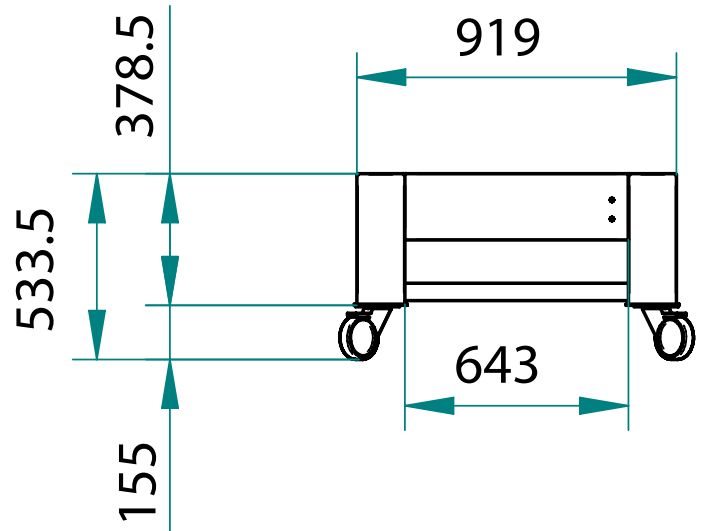
FORA4TR400A

AFOPIEDAZ4NR3M

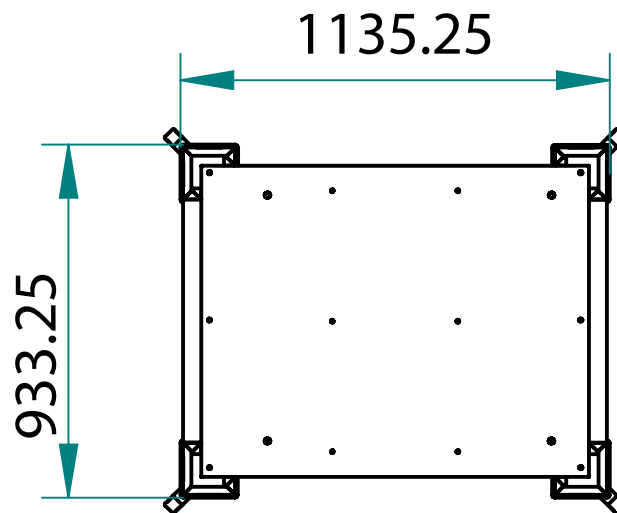
FRONT



SIDE



TOP



We reserve the right to alter specifications without notice.



THE
GOOD
LADY

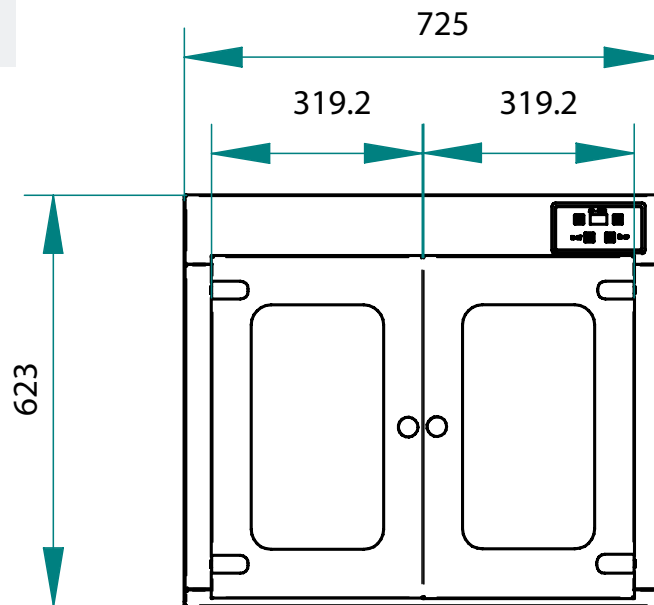
Phone: 1800 183 818 Email: support@thegoodlady.com.au
Website: www.thegoodlady.com.au

AZZURRO 4 - DOUBLE DOOR PROOFER

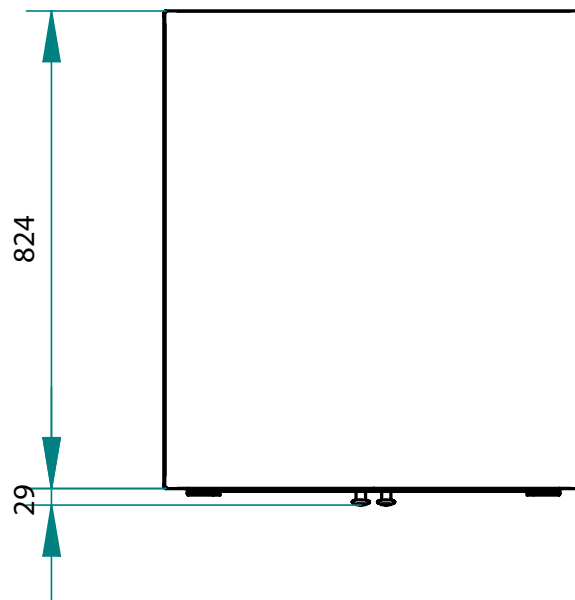
FORA4TR400A

AFOCELUN

FRONT



TOP



We reserve the right to alter specifications without notice.