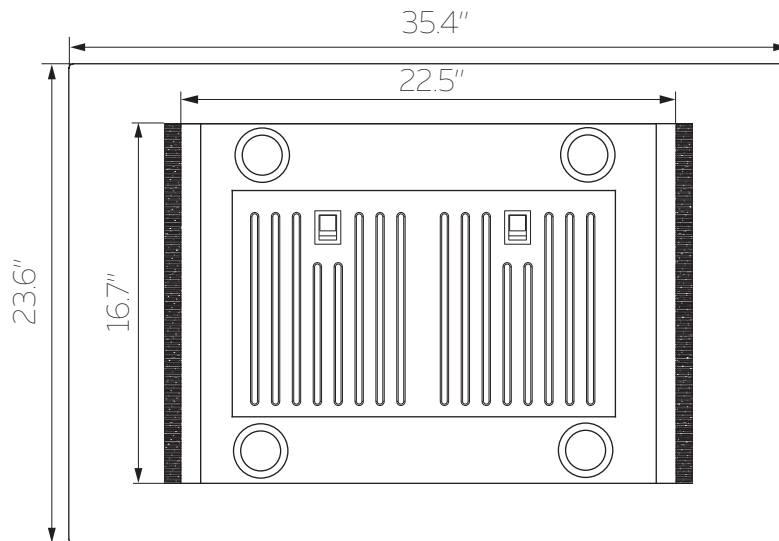


FRONT VIEW



VIEW FROM UNDER

Overall Dimensions	36" W x 24" L x 22.2" H
Installation Type	Island
Exhaust Method	Convertible
Material	Stainless Steel

Noise Level	42-63dB(A)
Min/Max CFM	100-480
Speed & Control Type	3 Speed Touch Pad
Warranty	3 Year Limited Warranty