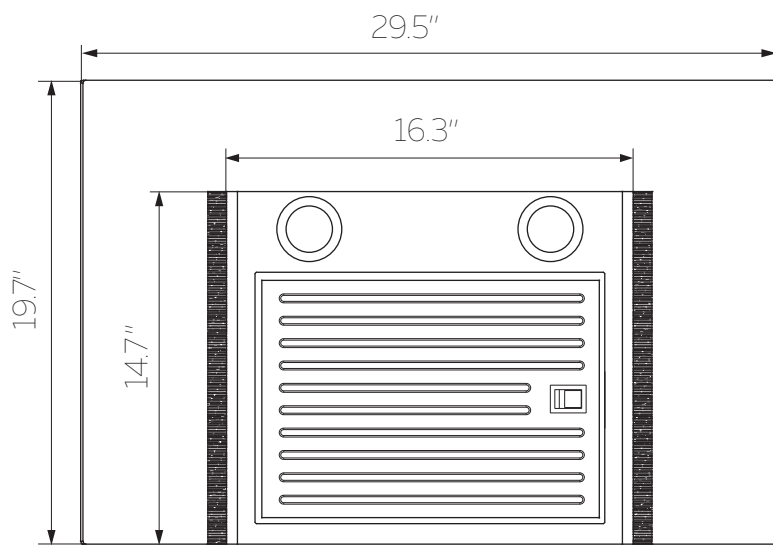
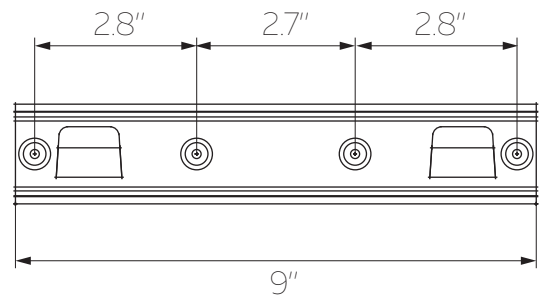


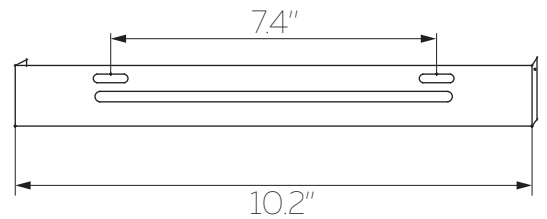
**FRONT VIEW**



**VIEW FROM UNDER**



**LOWER BRACKET**



**UPPER BRACKET**

<b>Overall Dimensions</b>	30" W x 20" L x 21.2" H	<b>Noise Level</b>	42-63dB(A)
<b>Installation Type</b>	Wall Mount	<b>Min/Max CFM</b>	100-480
<b>Exhaust Method</b>	Convertible	<b>Speed &amp; Control Type</b>	3 Speed Touch Pad
<b>Material</b>	Stainless Steel	<b>Warranty</b>	3 Year Limited Warranty