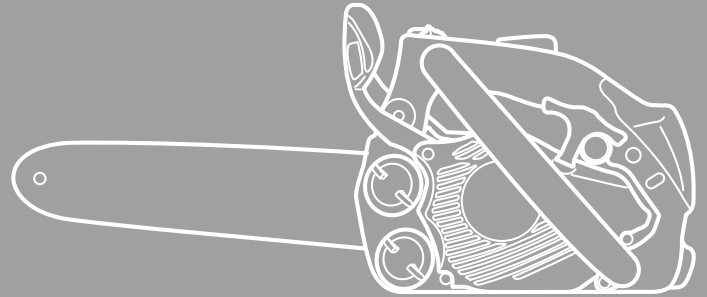


ECHO®



SERVICE MANUAL

CS-2511T

INTRODUCTION

This service manual contains information for service and maintenance of **ECHO CHAIN SAW, CS-2511T**.

For systematic diagnosis, to avoid extra work, time loss and to meet Emission regulation, please refer to “Troubleshooting guide” that describes problems, testing, remedies and references. We recommend you make use of Operator’s Manual and Parts Catalogue together with this manual when servicing.

We are constantly working on technical improvement of our products. For this reason, technical data, equipment and design are subject to change without notice. All specifications, illustrations and directions in this manual are based on the latest product information available at the time of publication.

	Page		Page
1 SERVICE INFORMATION	2	5 CLUTCH SYSTEM	42
1-1 Specifications	2	5-1 Inspecting clutch parts.....	42
1-2 Technical data	3	5-2 Replacing clutch parts.....	44
1-3 Torque limits	4	5-3 Installing clutch assembly.....	44
1-4 Special repairing materials.....	4	6 CHAIN BRAKE SYSTEM	45
1-5 Service limits	5	6-1 Replacing brake lever and torsion spring.....	45
1-6 Special tools	6	6-2 Inspecting chain brake parts	47
2 STARTER SYSTEM	7	7 SAW CHAIN LUBRICATION SYSTEM	49
2-1 Disassembling starter assembly.....	8	7-1 Inspecting oil cap and strainer.....	49
2-2 Replacing starter rope	9	7-2 Inspecting oil tank vent.....	50
2-3 Assembling starter.....	10	7-3 Inspecting and replacing oil line	51
2-4 Replacing starter pawl.....	12	7-4 Inspecting worm gear	52
3 IGNITION SYSTEM	13	7-5 Cleaning and replacing auto-oiler assembly ..	53
3-1 Troubleshooting guide.....	14	8 ENGINE	56
3-2 Testing spark	15	8-1 Testing cylinder compression	57
3-3 Inspecting spark plug	16	8-2 Cleaning cooling air passages	58
3-4 Replacing spark plug cap and coil.....	16	8-3 Inspecting muffler and exhaust port	59
3-5 Inspecting ignition switch.....	17	8-4 Testing crankcase and cylinder sealings.....	60
3-6 Replacing ignition switch	17	8-5 Removing engine block.....	61
3-7 Replacing ignition coil.....	22	8-6 Inspecting cylinder.....	62
3-8 Setting pole shoe air gaps.....	23	8-7 Inspecting piston and piston ring.....	63
3-9 Inspecting flywheel and key	23	8-8 Replacing oil seal	64
4 FUEL SYSTEM	25	8-9 Inspecting crankcase and crankshaft.....	65
4-1 Inspecting air filter	26	8-10 Replacing oil seal and ball bearing.....	66
4-2 Replacing air cleaner cover latch	27	8-11 Assembling crankshaft and crankcase.....	67
4-3 Inspecting fuel cap and fuel strainer.....	27	8-12 Installing piston ring and cylinder	68
4-4 Inspecting fuel tank and line.....	28	9 HANDLE AND CONTROL SYSTEM	69
4-5 Inspecting and replacing tank vent.....	29	9-1 Replacing lifting hook	70
4-6 Replacing purge bulb	31	9-2 Replacing throttle control parts.....	72
4-7 Replacing fuel line and fuel return line	32	9-3 Replacing front handle and spring.....	73
4-8 Adjusting carburetor	34	9-4 Replacing rear handle and springs.....	74
4-8-1 General adjusting rules	34	10 GUIDE BAR MOUNTING SYSTEM	77
4-8-2 Initial setting Throttle adjust screw, L mixture needle and H mixture needle	34	10-1 Replacing nut for fixing guide bar.....	77
4-8-3 Adjusting carburetor	35	10-2 Replacing chain tensioner.....	78
4-9 Testing carburetor.....	37	10-3 Replacing guide bar stud.....	79
4-10 Inspecting crankcase pulse passage	38	11 MAINTENANCE GUIDE	80
4-11 Inspecting metering lever height	38	11-1 Troubleshooting guide.....	80
4-12 Inspecting inlet needle valve	39	11-2 Disassembly chart.....	82
4-13 Inspecting diaphragm and others	40	11-3 Service intervals	83
4-14 Replacing welch plug	40	INDEX	84
4-15 Installing carburetor.....	41		

1 SERVICE INFORMATION**1-1 Specifications**

Dimensions	Length*	mm(in)	243 (9.6)
	Width	mm(in)	205 (8.1)
	Height	mm(in)	196 (7.7)
Dry weight*		kg(lb)	2.3 (5.1)
Engine	Type		YAMABIKO, air-cooled, two-stroke, single cylinder
	Rotation		Clockwise as viewed from the output end
	Displacement	cm ³ (in ³)	25.0 (1.525)
	Bore	mm(in)	35.0 (1.378)
	Stroke	mm(in)	26.0 (1.024)
	Compression ratio		7.9
Carburetor	Type		Diaphragm horizontal-draft with separated purge bulb
	Model		Walbro WT-1208
	Venturi size-Throttle bore	mm(in)	11.11-14.3 (0.437-0.563)
Ignition	Type		CDI (Capacitor discharge ignition) system, Digital magneto
	Spark plug		NGK CMR7H
Starter	Type		i-30
	Rope diameter x length	mm(in)	3.0 x 720 (0.12 x 28.3)
Fuel	Type		Premixed two-stroke fuel
	Mixture ratio		50 : 1 (2 %)
	Gasoline		Minimum 89 octane petrol
	Two-stroke air cooled engine oil		ISO-L-EGD (ISO/CD13738), JASO M345-FC/FD
	Tank capacity	L (UK.fl.oz.)	0.19 (6.7)
Exhaust	Muffler type		Spark arrester muffler with catalyst
Clutch	Type		Centrifugal type, 3-shoe slide with 3-tension spring
Guide bar / Saw chain lubrication type			Adjustable automatic oil pump
Oil	Tank capacity	L (UK.fl.oz.)	0.14 (4.7)
Auto oiler	Type		Clutch related type
Sprocket	Type		Spur
	Number of teeth		6-tooth
	Pitch	in	3/8 pitch
Spike			Option (P/N: C304000000)

* Without guide bar and saw chain.

Cutting devices						
Guide bar	Type	12A0CD3745	12A4CD3745	C30H25-68CL	14A0CD3752	14A4CD3752
	Called length	in	12		14	
	Gauge	in	0.050			
Saw chain	Type	OREGON 91PXL, 90PX, 25AP				
	Number of drive links	45		68	52	
	Pitch	in	3/8			
	Gauge	in	0.050			

1-2 Technical data

Engine			
Compression pressure	MPa (kgf/cm ²) (psi)		1.03 (10.5) (150)
Clutch engagement speed	RPM		4,300
Engagement Minimum [†]	RPM		3,900
Ignition system			
Spark plug gap	mm(in)		0.6 - 0.7 (0.024 - 0.028)
Spark test			
Tester gap w/ spark plug	mm(in)		4.0 (0.16)
Tester gap w/o spark plug	mm(in)		6.0 (0.24)
Pole shoe air gaps	mm(in)		0.3 - 0.4 (0.012 - 0.016)
Ignition timing	at 1,000 RPM	°BTDC	9
	at 3,000 RPM	°BTDC	12
	at 10,000 RPM	°BTDC	29
Carburetor			
Test Pressure, minimum	MPa (kgf/cm ²) (psi)		0.05 (0.5) (7.0)
Metering lever height	mm(in)		1.65 (0.06) lower than diaphragm seat
Limiting plug / cap			Limiting cap P003000010
Tool to adjust mixture needles			Screwdriver 2.0 mm
Carburetor adjustment			
1) Initial setting			
H mixture needle	turn out		1 3/4
L mixture needle	turn out		2 3/4
Throttle adjust screw	turn in* ¹		1
Engine warm-up	Idle - WOT : Total	sec.	5 - 5 : 100
2) Find idle maximum speed			Adjust L mixture needle to maximum idle speed* ²
3) Set idle maximum speed w/ TAS			RPM 4,100
4) Set idle speed by turning L mixture needle CCW			RPM 3,300
5) Confirm H mixture needle position before WOT setting			Turn H mixture needle CCW to confirm engine speed decreases less than 13,000 RPM
6) WOT setting			Turn H mixture needle CW and set engine speed within 12,500 - 12,700 RPM
7) Final WOT setting			Turn H mixture needle CW by : 1/2
8) Verify final engine speed with standard equipment			Idle: 2,800 - 3,600 WOT: 12,700 - 13,400
Chain oil discharge volume			Adjustable: 1.5 - 13 (0.05 - 0.46) (Factory set: 6 mL/min)
	mL/min(UK.fl.oz./min)		

BTDC: Before top dead center. WOT: Wide open throttle
CCW: Counterclockwise TAS: Throttle adjust screw

[†] If clutch engagement speed is lower than minimum clutch engagement speed, replace clutch assembly with new one.

*¹ Set Throttle adjust screw to the point that its tip just contacts throttle plate before initial setting.

*² If clutch engages during adjustment process 2), decrease engine speed by turning TAS CCW until clutch disengages and then redo 2).

1-3 Torque limits

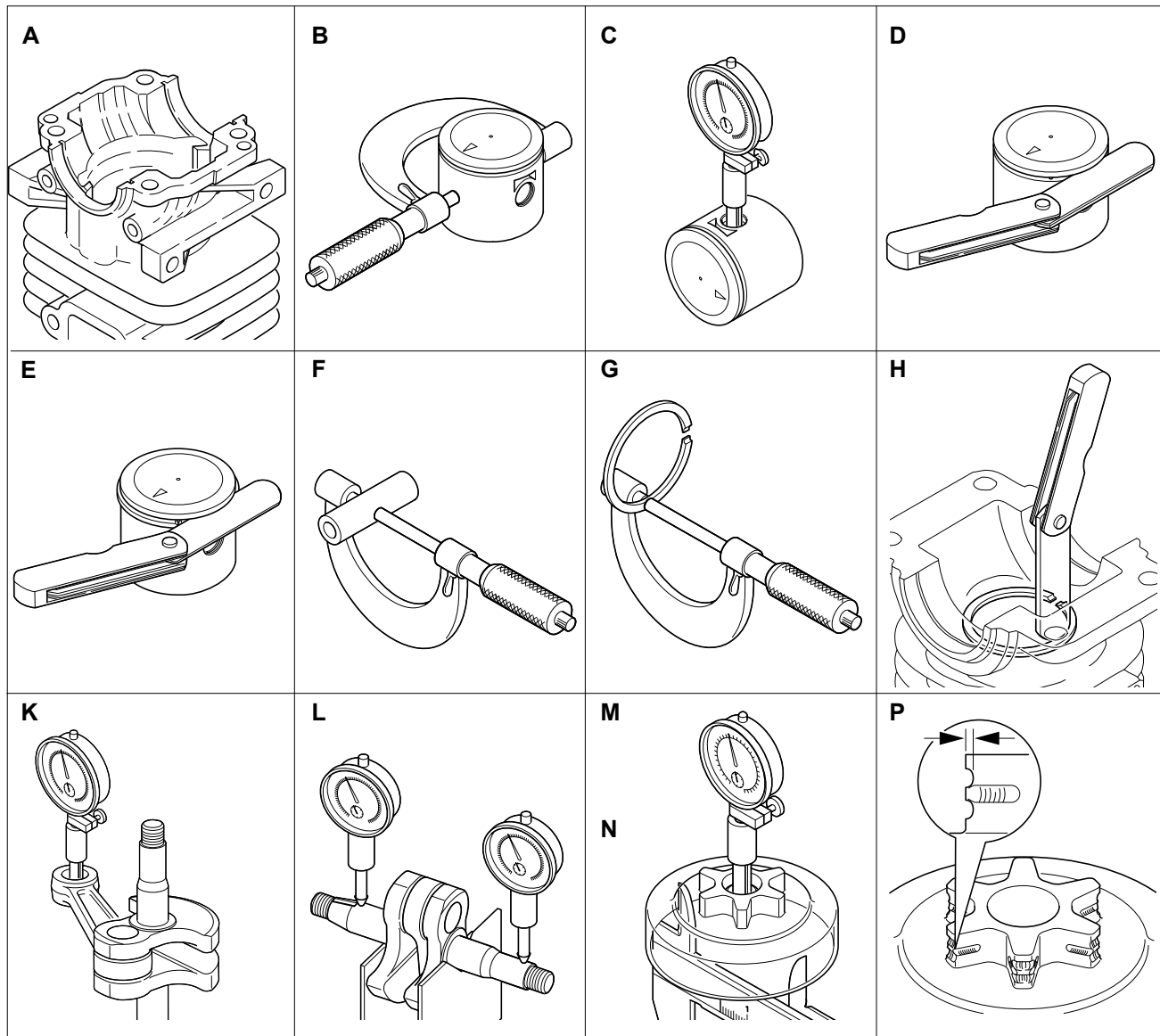
Descriptions		Size	kgf•cm	N•m	lbf•in
Starter system	Starter pawl	M5	30 - 45	3 - 4.5	25 - 40
	Starter case	M4	20 - 30	2 - 3	20 - 25
Ignition system	Flywheel (Magneto rotor)	M8	250 - 290	25 - 29	220 - 255
	Ignition coil	M4*	30 - 45	3 - 4.5	25 - 40
	Ignition switch	M3*	3 - 5	0.3 - 0.5	3 - 4
	Spark plug	M10	100 - 150	10 - 15	90 - 135
Fuel system	Carburetor	M5	30 - 45	3 - 4.5	25 - 40
	Intake bellows	M4	30 - 45	3 - 4.5	25 - 40
Clutch	Clutch hub	LM8	250 - 290	25 - 29	220 - 255
Engine	Crankcase	M4	30 - 45	3 - 4.5	25 - 40
	Cylinder	M4	30 - 45	3 - 4.5	25 - 40
	Engine mount	M4	35 - 50	3.5 - 5	20 - 45
	Muffler	M5	60 - 90	6 - 9	55 - 80
	Muffler cover	M4	20 - 30	2 - 3	20 - 25
Others	Auto-oiler	M4	30 - 45	3 - 4.5	25 - 40
	Rear handle lid	M4	20 - 35	2 - 3.5	20 - 30
	Front handle (front side)	M5	30 - 40	3 - 4	25 - 35
	Front handle (rear side)	M4	20 - 30	2 - 3	20 - 25
	Spring	M4	20 - 35	2 - 3.5	20 - 30
	Brake cover	M4	20 - 30	2 - 3	20 - 25
	Sprocket guard plate (Sprocket guard side)	M4	20 - 30	2 - 3	20 - 25
	Brake lever (Hand guard)	M5	30 - 45	3 - 4.5	25 - 40
	Chain catcher	M5	30 - 45	3 - 4.5	25 - 40
	Stud bolt	M8*	150 - 200	15 - 20	130 - 220
	Bolt (at guide bar mount)	M5	30 - 45	3 - 4.5	25 - 40
	Guide bar nut	M8	150 - 200	15 - 20	130 - 220
	Regular bolt, nut and screw	M3	6 - 10	0.6 - 1	5 - 9
		M4	15 - 25	1.5 - 2.5	13 - 22
M5		25 - 45	2.5 - 4.5	22 - 40	

LM: Left-hand thread *Apply thread locking sealant described in "1-4 Special repairing materials"

1-4 Special repairing materials

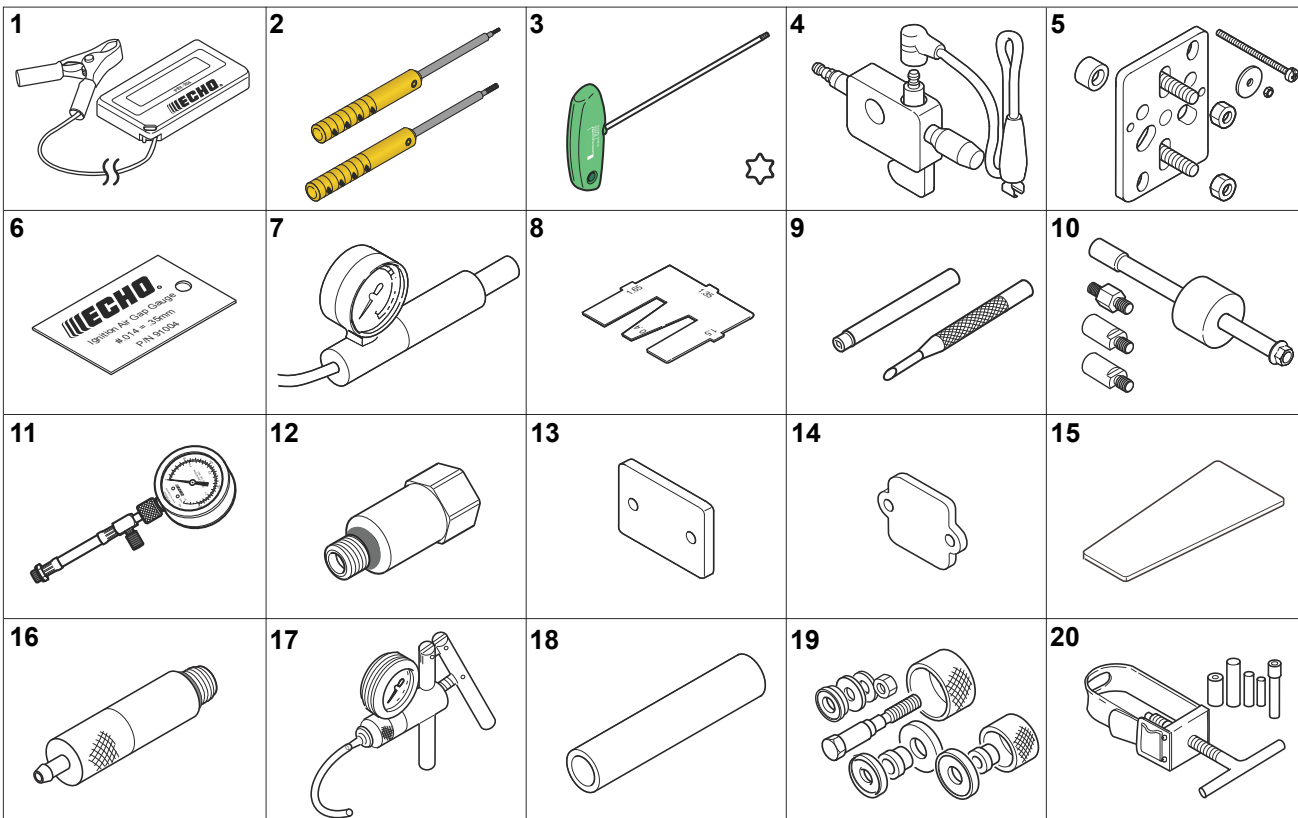
Material	Location	Remarks
Thread locking sealant	Stud bolt	Loctite® #242 or equivalent
	Ignition coil	Loctite® #222, ThreeBond #1342 or equivalent
	Ignition switch	Loctite® #242, ThreeBond #1324 or equivalent
Grease	Recoil starter	Lithium based grease or ECHO XTended Protection™ Lubricant
	Needle bearing, clutch	
	Worm gear	
	Auto-oiler	
	Oil seal lip	
	Chain brake (metal contact part)	Molybdenum grease (approx.1 gram)

1-5 Service limits



Description			mm (in)	
A	Cylinder bore		When plating is worn and aluminum can be seen	
B	Piston outer diameter	Min.	34.92	(1.375)
C	Piston pin bore	Max.	8.035	(0.3163)
D	Piston ring groove	Max.	1.3	(0.051)
E	Piston ring side clearance	Max.	0.1	(0.004)
F	Piston pin outer diameter	Min.	7.98	(0.3142)
G	Piston ring width	Min.	1.15	(0.045)
H	Piston ring end gap	Max.	0.5	(0.02)
K	Con-rod small end bore	Max.	11.03	(0.4341)
L	Crankshaft runout	Max.	0.02	(0.001)
M	Sprocket bore	Max.	13.07	(0.5146)
N	Clutch drum bore	Max.	53.5	(2.11)
P	Sprocket wear limit	Max.	0.5	(0.02)

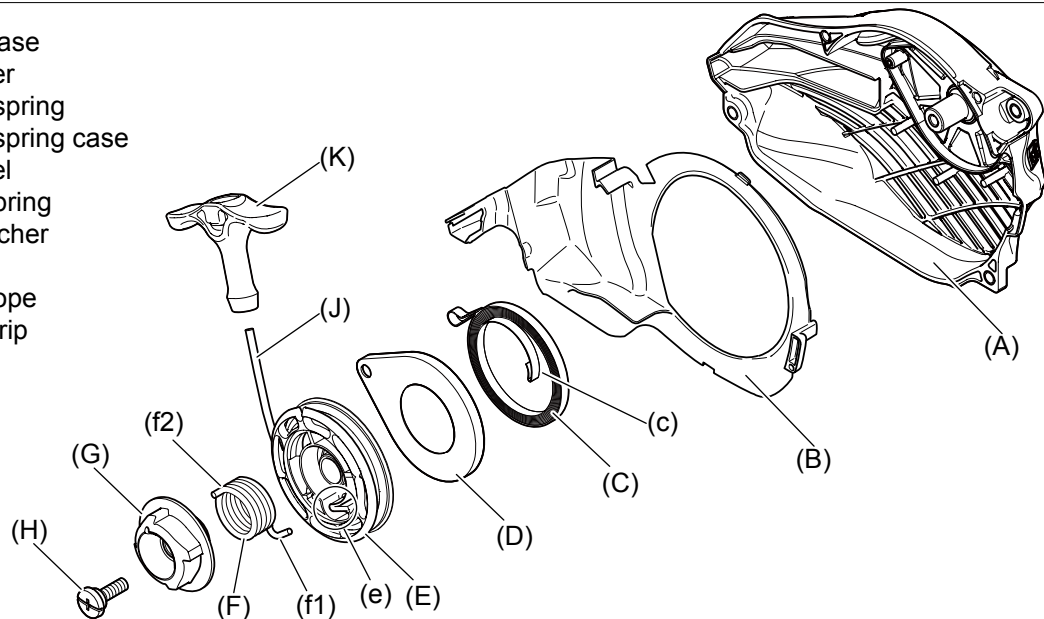
1-6 Special tools



Key	Part Number	Description	Reference
1	G310000050	Tachometer PET-304	Measuring engine speed to adjust Carburetor
2	91077	Limiters Cap Remover Kit	Removing and installing limiter cap
3	X602000340	Torx wrench (T27)	Removing and installing Torx bolt
4	89780079931	Spark tester	Checking ignition system
5	Y089000111	Puller	Removing magneto rotor and crankcase
6	91004	Module air gap gauge	Adjusting pole shoe air gaps
7	89780330133	Pressure tester	Testing Carburetor and crankcase leakage
8	89756319830	Metering lever gauge	Measuring metering lever height on Carburetor
9	500500	Welch plug tool	Removing and installing welch plug
10	P021044870	PTO shaft puller	Removing plug from auto-oiler assembly
11	91037	Compression gauge	Measuring cylinder compression
12	91151	Adapter (M10)	Measuring cylinder compression(for 10mm dia. spark plug)
13	89782616131	Pressure rubber plug	Plugging intake port to test crankcase / cylinder leakages
14	89782716131	Pressure plate	Plugging intake port to test crankcase / cylinder leakages
15	91041	Pressure rubber plug	Plugging exhaust port to test crankcase / cylinder leakages
16	A131000160	Pressure connector(M10)	Checking crankcase and cylinder leakages
17	91139	Pressure / vacuum tester	Testing tank vent and crankcase leakages
18	89772609130	Oil seal tool	Installing oil seals
19	89770114732	Bearing tool	Removing and installing ball bearings on crankcase
20	89770230131	Piston pin tool	Removing and installing piston pin

2 STARTER SYSTEM (ES-start / S-start)

- (A) Starter case
- (B) Fan cover
- (C) Rewind spring
- (D) Rewind spring case
- (E) Rope reel
- (F) Power spring
- (G) Pawl catcher
- (H) Screw
- (J) Starter rope
- (K) Starter grip

**Construction**

1. Rewind spring (C) and rewind spring case (D) are installed inside starter case (A).
2. Rope reel (E) with starter rope (J) is installed on rewind spring case assembly.
3. Hook located on the backside of rope reel engages with end (c) of rewind spring (C).
4. Power spring (F) is installed on rope reel (E).
5. Hook(f1) of power spring (F) engages with hook (e) of rope reel (E) and top end hook (f2) of power spring (F) engages with pawl catcher (G).

Working principle

1. When starter grip (K) is pulled, rope reel (E) rotates.
2. The rotation force of rope reel (E) is transmitted to pawl catcher (G) by power spring (F).
3. Pawl catcher (G) engages with starter pawls on flywheel to turn crankshaft.
4. The load from compression pressure in cylinder will keep crankshaft from rotating as power spring (F) is twisted and accumulates energy.
5. As starter grip (K) is pulled further, more energy is stored in power spring (F) until accumulated energy is enough to overcome compression pressure in cylinder.
6. When accumulated energy in power spring (F) overcomes the load from compression pressure in cylinder, crankshaft is rotated.
7. Power spring (F) absorbs compression resistance of cylinder and snatch back of engine during starting action.
8. When starter rope (J) is released, rope reel (E) is returned together with power spring (F) and pawl catcher (G) by rewind spring tension.
9. After engine starts, starter pawls pivot outward by centrifugal force and disengage from pawl catcher (G).

2-1 Disassembling starter assembly



1. Remove three bolts and remove starter assembly (A) from unit.

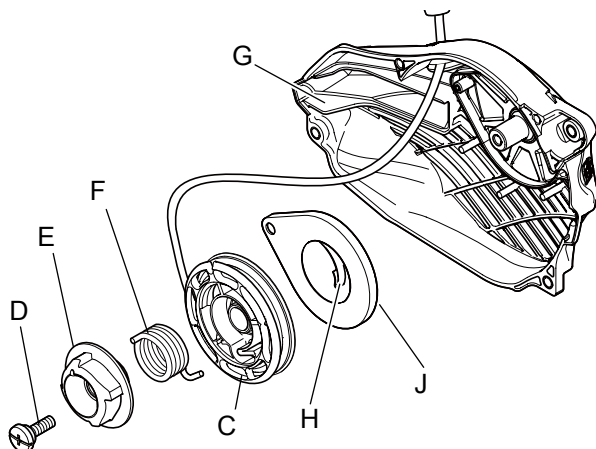


2. Remove fan cover (B) from starter assembly (A).



3. Pull out starter rope about 30cm (12in) and hold rope reel (C) by hand. Loop excess rope in rope reel notch (c) as shown.

4. Rotate rope reel (C) counterclockwise to release tension of rewind spring.



5. Remove screw (D).

6. Remove pawl catcher (E) and power spring (F).

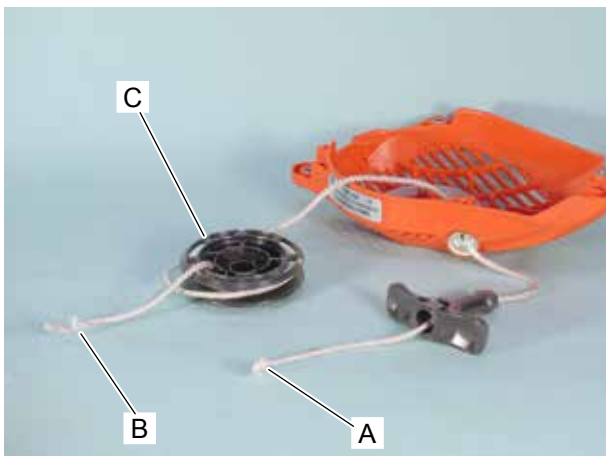
7. Remove rope reel (C) from starter case (G) slowly to prevent rewind spring (H) from unwinding.

8. Remove rewind spring case assembly (J) from starter case (G).

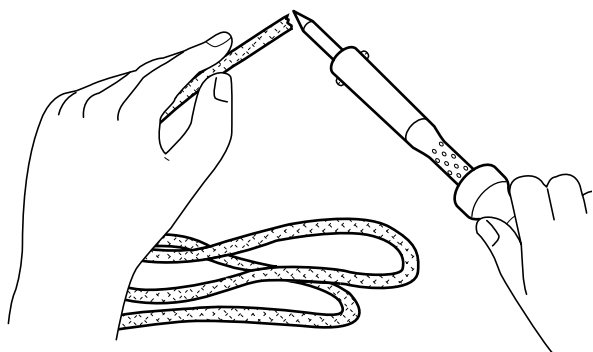
WARNING  **DANGER**

Wear eye protection and take care when removing rope reel. Rewind spring may unwind suddenly and cause personal injury.

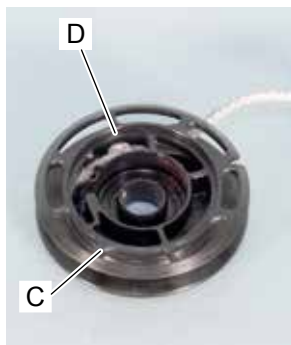
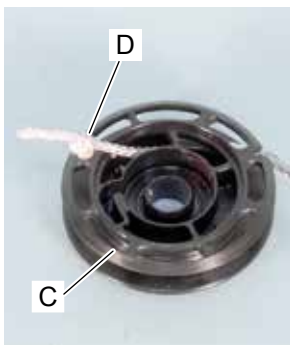
2-2 Replacing starter rope



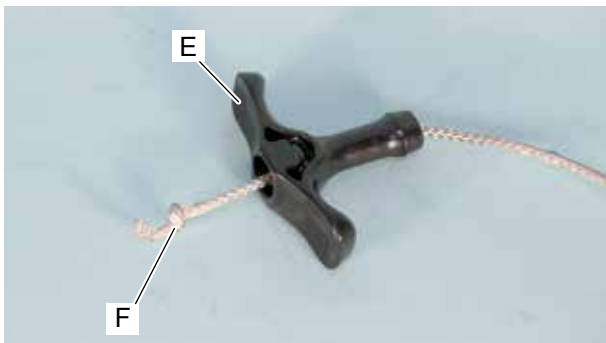
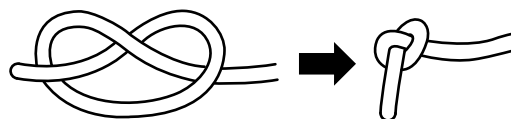
1. Pull out and untie knot (A).
2. Pull knot (B) to remove rope from rope reel (C).



3. When installing a new starter rope, singe both ends of the rope to prevent fraying.

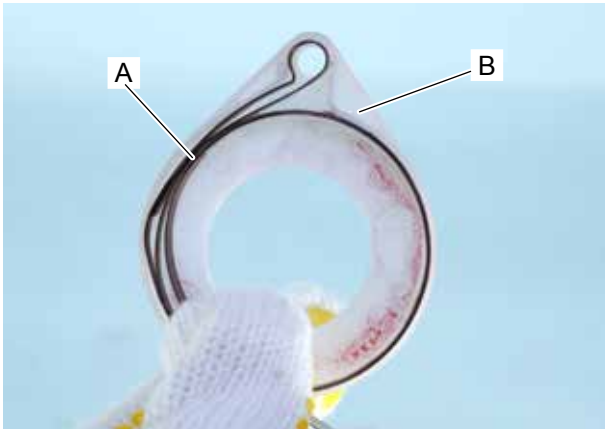


4. Make a knot (D) at end of starter rope and pass the rope through hole of rope reel (C), then press the knot (D) into recess as shown.



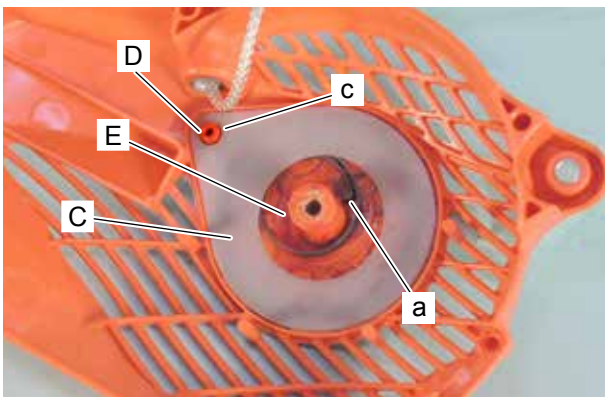
5. Pass the other end of starter rope through starter case, from inside to outside.
6. Pass starter rope through starter grip (E). Make a knot as shown.
7. Tighten knot (F). Push the knot (F) into recess of starter grip (E).

2-3 Assembling starter

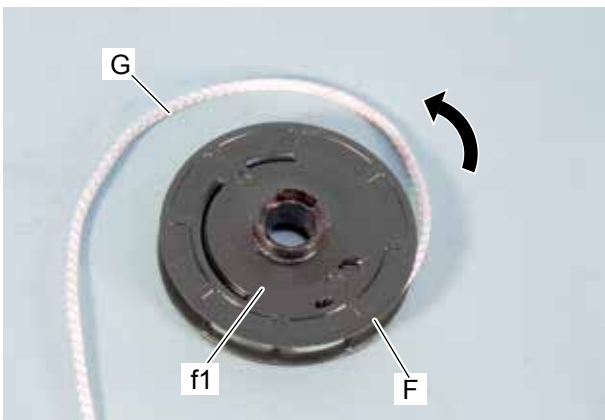


1. If rewind spring (A) is unwound from rewind spring case (B), wind the spring (A) inside case (B) as shown.

NOTE : Apply small amount of lithium based grease to rewind spring case (B), before wind the spring.

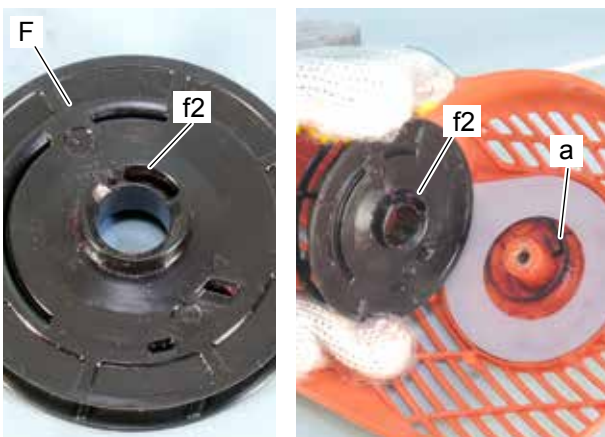


2. Carefully install rewind spring case assembly (C) on starter case, matching hole (c) with post (D). Hook (a) of rewind spring should contact with post (E) of starter case.



3. Wind the rope (G) on rope reel (F) 2 turns as shown.

4. Apply small amount of lithium based grease to starter case side (f1) of the rope reel (F).

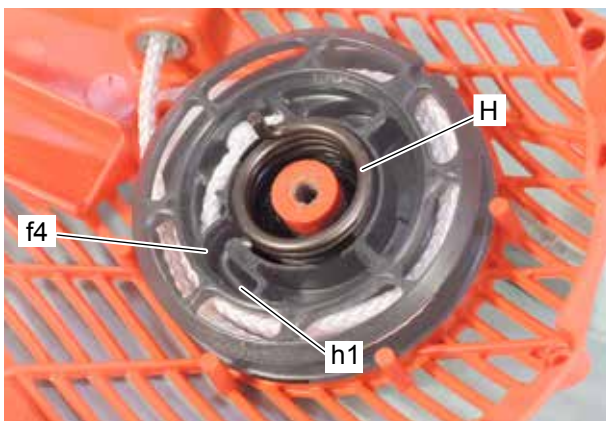


5. Assemble rope reel (F) engaging hook (f2) with hook (a) of rewind spring.

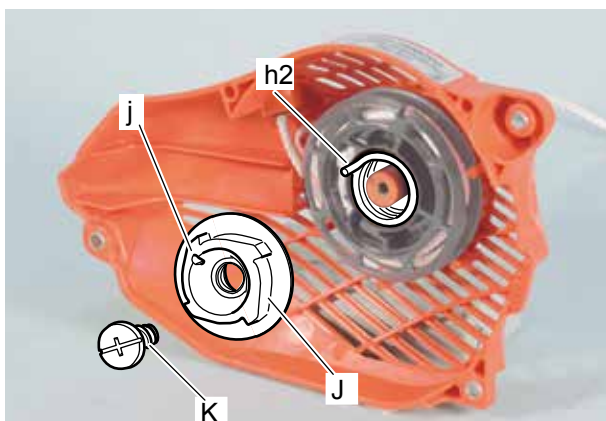
2-3 Assembling starter (Continued)



6. Check for proper engagement of rewind spring and rope reel (F) by turning rope reel (F) clockwise and counterclockwise.

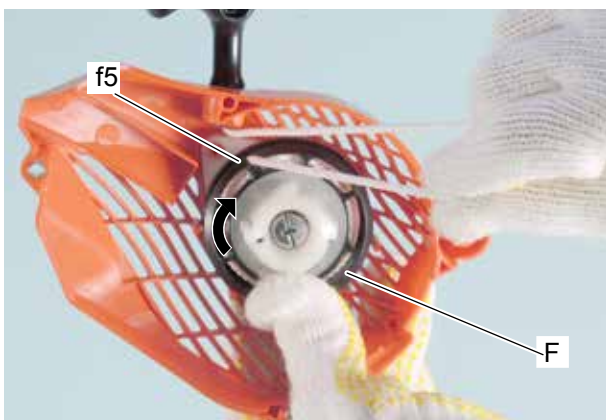


8. Install power spring (H), engaging hook (h1) with rope reel groove (f4).



9. Install pawl catcher (J), engaging hole (j) with power spring top end hook (h2).

10. Reinstall screw (K) on starter post.



11. Pull out starter rope inside starter case. Rotate rope reel (F) clockwise 3 turns with starter rope hooked at notch (f5) as shown. Hold rope reel (F) to prevent it from unwinding and pull out starter grip to take the rope slack.

12. Pull starter several times to check rewind spring tension. If starter is not rewinding fully, increase spring tension by rotating rope reel (F) one more turn clockwise following above step 11.

2-3 Assembling starter (continued)



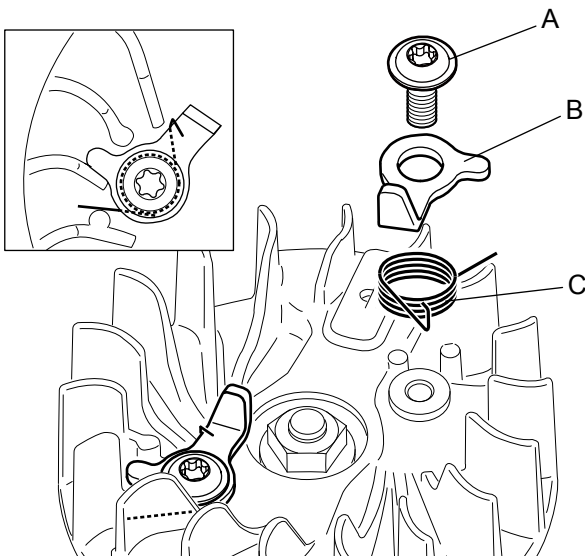
13. Pull out starter rope all the way, and check that rope reel (F) can be rotated an additional half or more turn clockwise as shown, to prevent rewind spring from breaking.

14. If rope reel (F) can not be turned clockwise, reduce tension by rotating rope reel (F) counter-clockwise one turn with starter rope hooked at notch (f5).

15. Reinstall fan cover to starter case.

16. Reassemble starter assembly to unit.

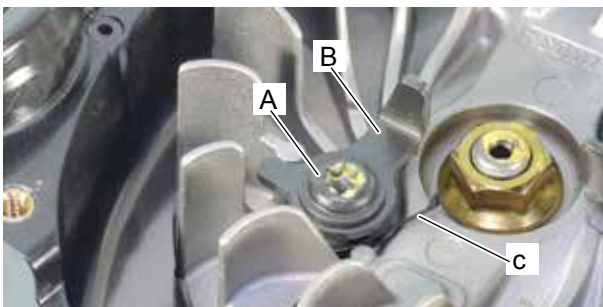
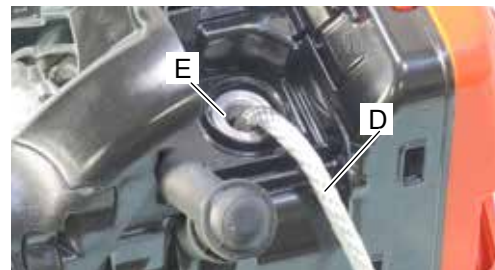
2-4 Replacing starter pawl



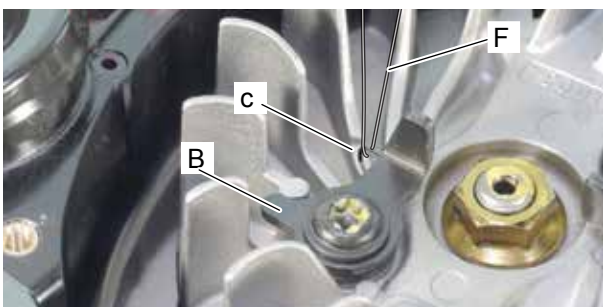
1. Remove starter assembly from unit.

2. Loosen bolt (A) and remove pawl (B) and torsion spring (C). Replace damaged or worn parts.

NOTE: When it is hard to loosen bolt, install clean rope (D) in spark plug hole (E) to stop crankshaft rotation and remove bolt easily.



3. Install torsion spring (C), pawl (B), and bolt (A). To avoid pinching of torsion spring (C), install these parts without setting the end (c) of torsion spring (C) on starter pawl.

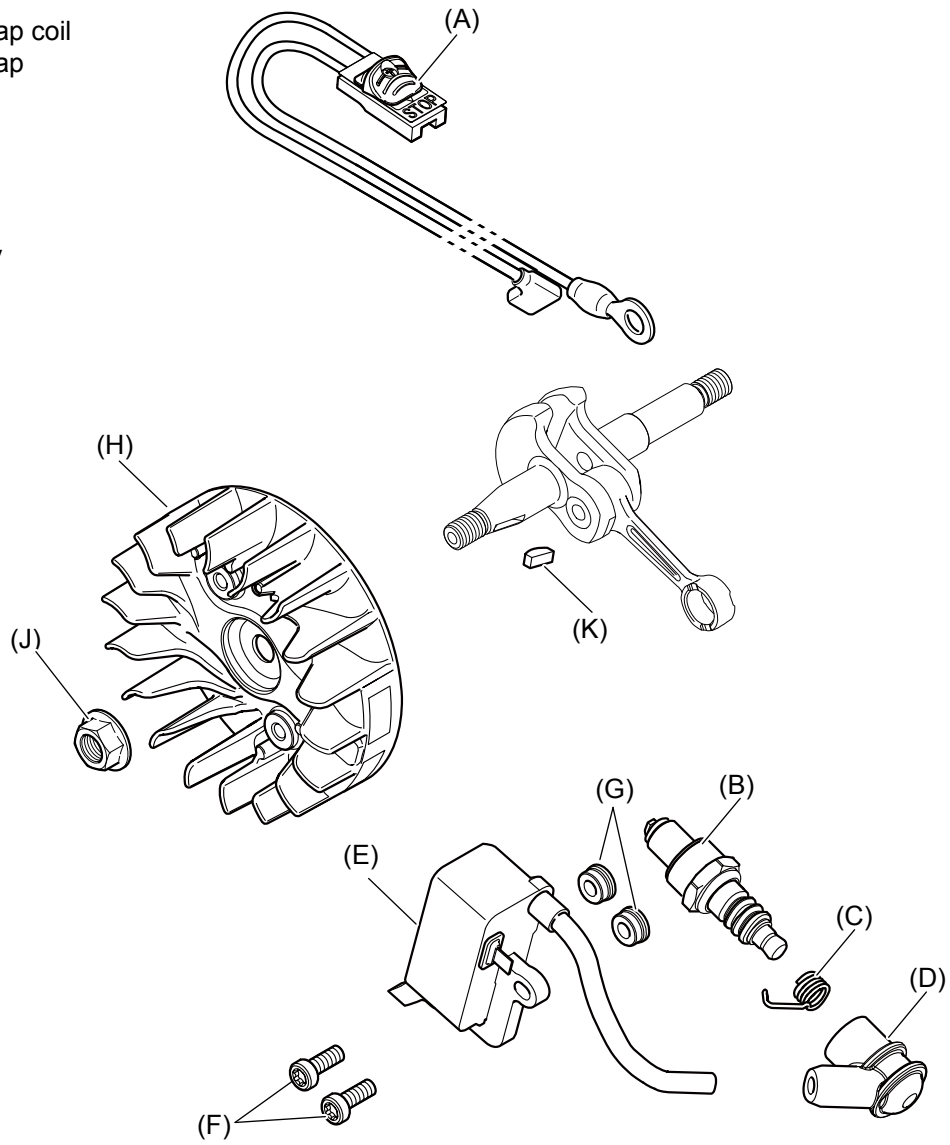


4. Using fine wire (F) or appropriate tool, place the end (c) of torsion spring (C) on pawl (B), by hooking and passing under pawl as shown.

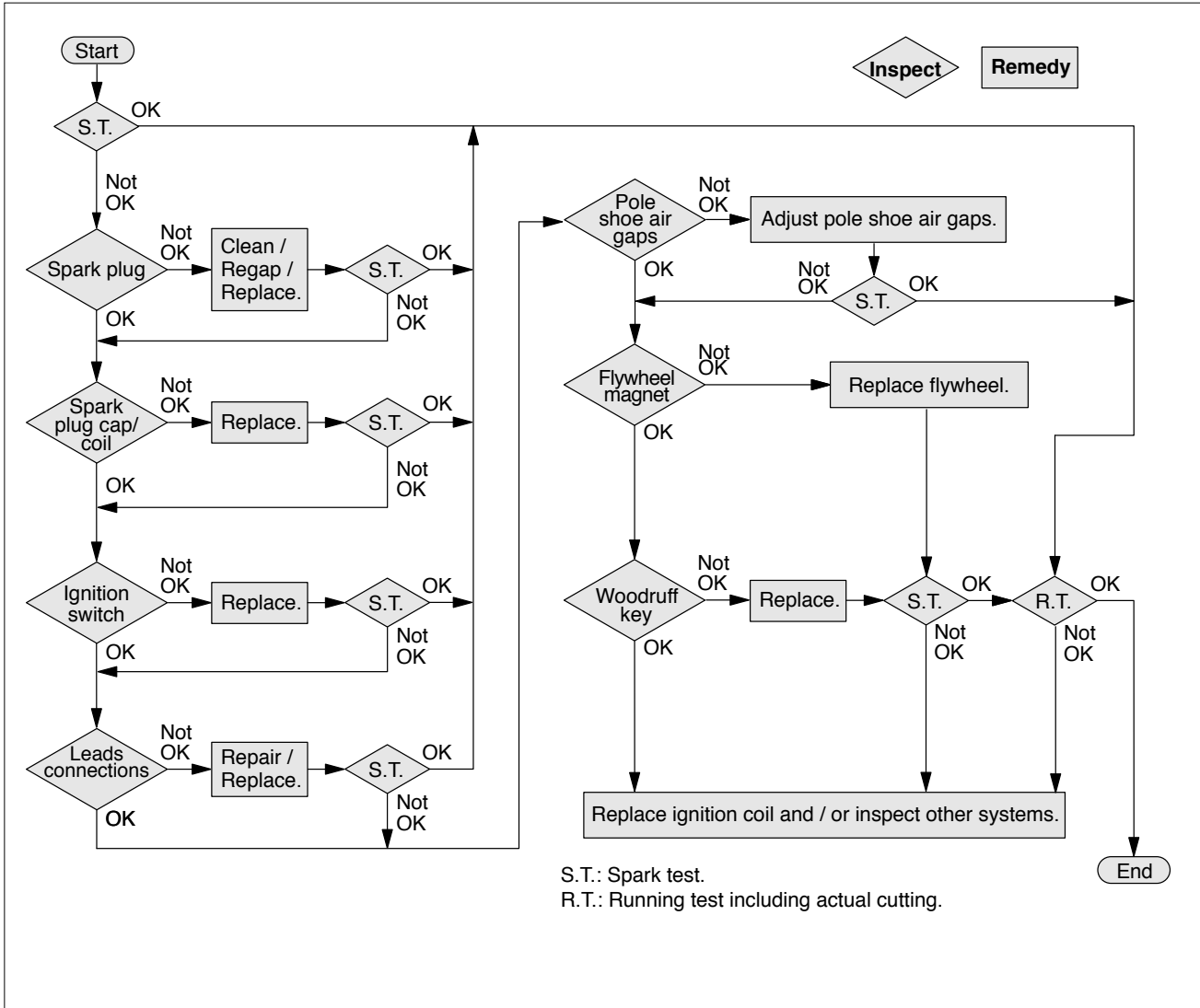
5. Make sure pawl (B) can move smoothly. If it does not move smoothly, check parts for correct installation.

3 IGNITION SYSTEM

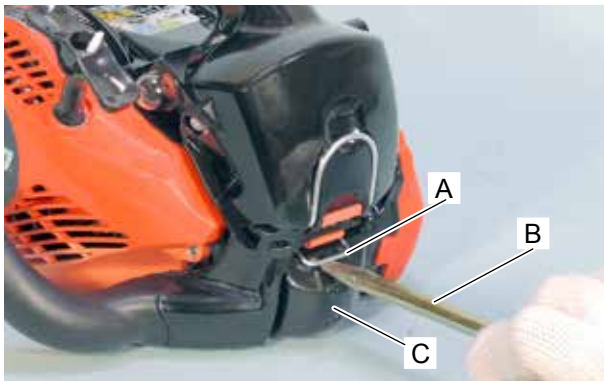
- (A) Ignition switch
- (B) Spark plug
- (C) Spark plug cap coil
- (D) Spark plug cap
- (E) Ignition coil
- (F) Bolt (M4)
- (G) Collar
- (H) Flywheel
- (J) Nut (M8)
- (K) Woodruff key



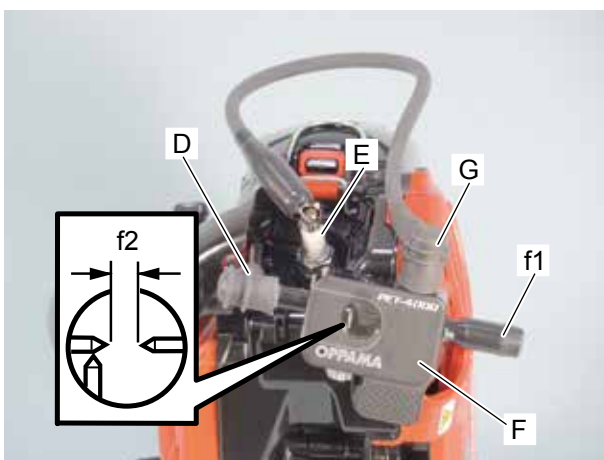
3-1 Troubleshooting guide



3-2 Testing spark



1. Unhook ring (A) with screwdriver (B) or equivalent and open cap cover (C).



2. Remove spark plug cap (D) from spark plug (E).

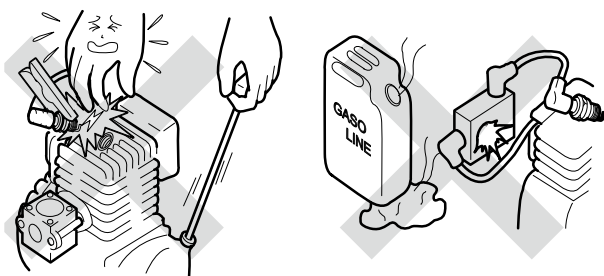
3. Connect spark plug cap (D) to spark tester 89780079931 (F), and connect spark tester lead (G) on spark plug (E) as shown.

4. Screw in adjuster (f1) until the needle tips contact. Turn out adjuster (f1) 4 turns to set spark tester gap (f2) to 4 mm (0.16 in).

5. Turn ignition switch to "RUN" position. Pull starter grip several times.

6. If spark is steady blue or white at the tester gap, ignition system is considered good.

7. If no spark exists or spark is intermittent in yellow, orange, or red, continue with further inspection.

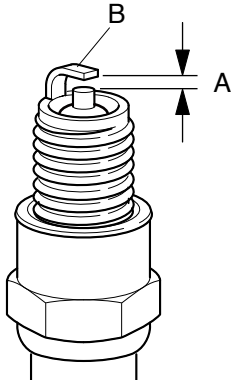
**WARNING ! DANGER**

*Do not test near spark plug hole without spark plug installed, otherwise there is a chance to ignite fuel mixture inside cylinder.

*Do not touch metal parts of spark tester while performing the test to avoid receiving electrical shock.

*Do not check spark in area where gasoline is spilled or flammable gases may exist.

3-3 Inspecting spark plug



1. Remove spark plug to inspect for fouling, cracked or broken insulator, cracked outer electrode, or rounded center electrode. Clean or replace spark plug as required.

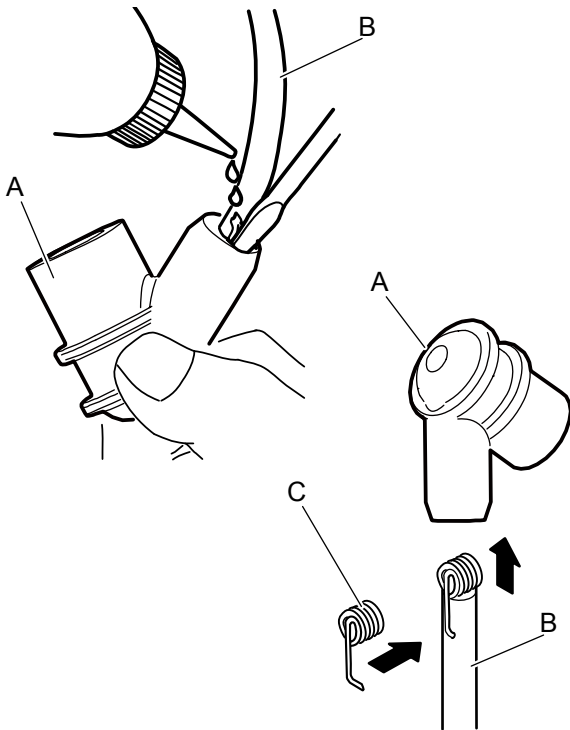
2. Set spark plug gap (A) by bending outer electrode (B).

Standard : 0.6 to 0.7 mm (0.024 to 0.028 in)

NOTE: Take care not to crack outer electrode when bending.

3. If engine does not start with correct spark plug, inspect if spark plug is wet or dry. If it is excessively wet or dry, inspect fuel system.

3-4 Replacing spark plug cap and coil



1. Disconnect spark plug cap (A) from spark plug.

2. Apply some oil in spark plug cap (A) for easy removal from high tension lead (B).

3. Pull spark plug cap away from high tension lead.

4. Inspect spark plug cap coil (C) for corrosion and correct connection. Inspect spark plug cap for cracks. Replace as required.

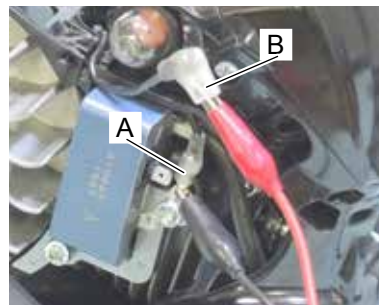
NOTE: Make sure spark plug cap coil (C) contacts center core of high tension lead when reinstalling it.

5. Coat end of high tension lead (B) with small amount of oil, and insert it into spark plug cap (A) as shown, until the spark plug cap coil is properly seated in the cap.

3-5 Inspecting ignition switch

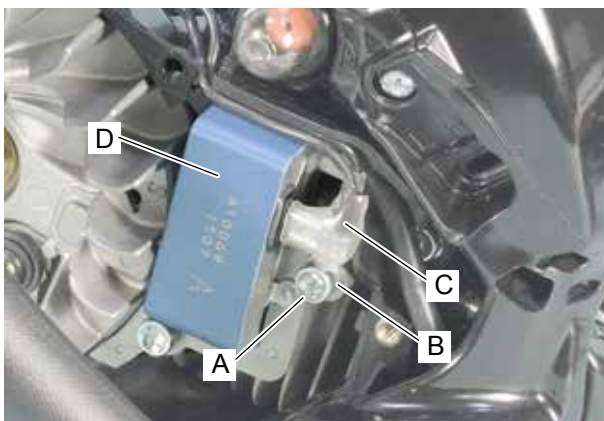


1. Remove starter assembly from unit.
2. Connect one probe of Ohm-meter or multi-meter to ignition switch terminal (A). Connect the other probe to another ignition switch terminal (B).

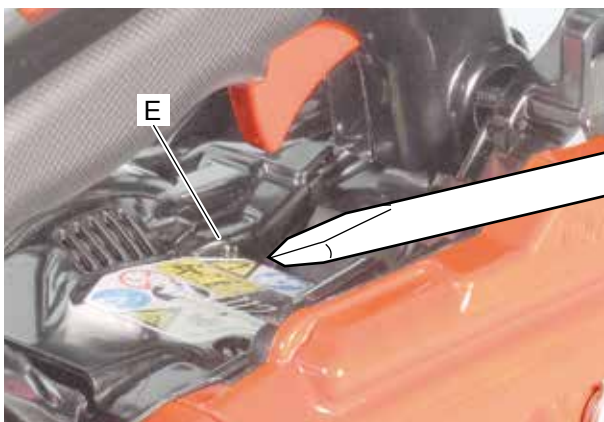


3. When ignition switch is "RUN" position, tester should indicate infinite resistance.
4. When ignition switch is in "STOP" position, tester should show that the circuit is in conducting state (closed circuit).
5. If ignition switch is defective, replace with a new one.

3-6 Replacing ignition switch

**{Removing}**

1. Remove starter assembly from unit.
2. Remove bolt (A), ignition switch terminal (B) and (C) from ignition coil (D).

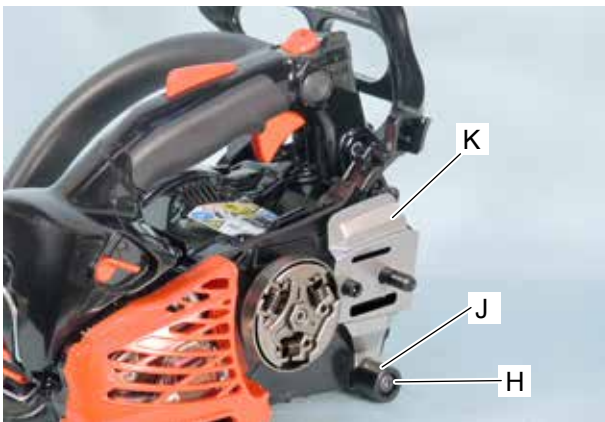


3. Insert screwdriver or equivalent between dust cover (E) and engine cover, and pry dust cover (E) away from engine cover.

3-6 Replacing ignition switch (Continued)



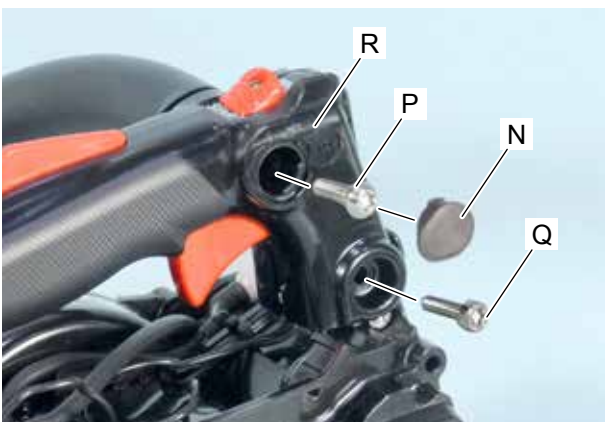
4. Loosen nut (F) and remove sprocket guard (G).



5. Remove bolt (H), chain catcher (J), and sprocket guard plate (K)



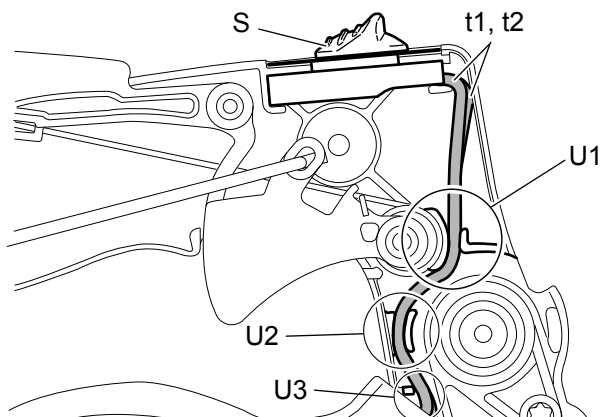
6. Remove bolt (L) and brake lever (M).



7. Remove plug (N) and bolt (P).

8. Remove bolt (Q) and rear handle lid (R).

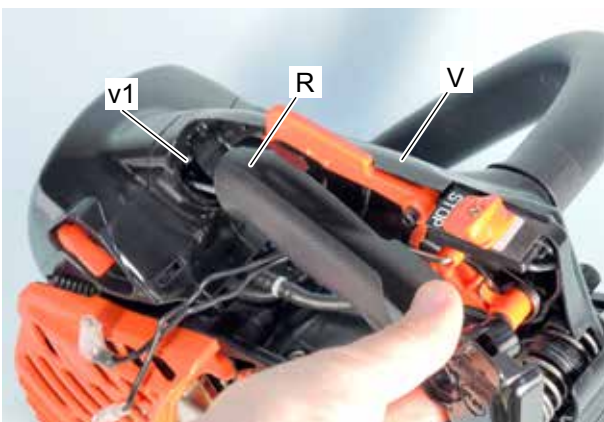
3-6 Replacing ignition switch (Continued)



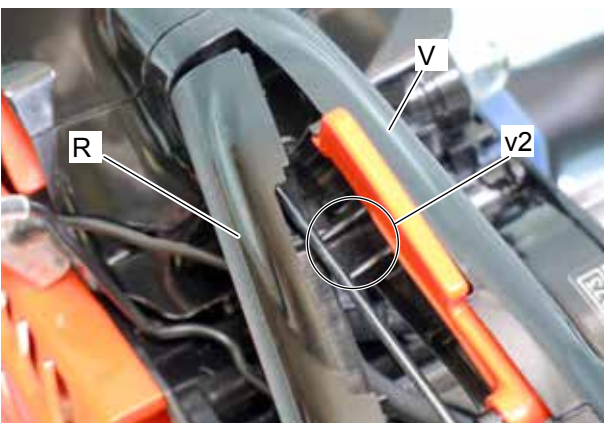
9. Remove ignition switch (S) .

{Installing}

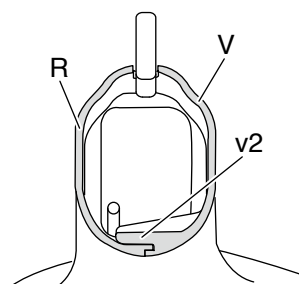
10. Install new ignition switch (S), passing switch lead (t1) and (t2) through notch on rib (U1), (U2) and (U3) .



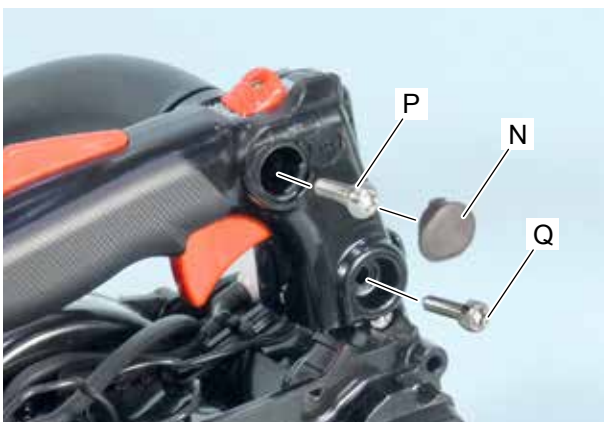
11. Insert rear part of rear handle lid (R) to hole (v1) on rear handle assembly (V) as shown.



12. Assemble rear handle lid (R) as rib (v2) on rear handle assembly (V) enters into rear handle lid (R).



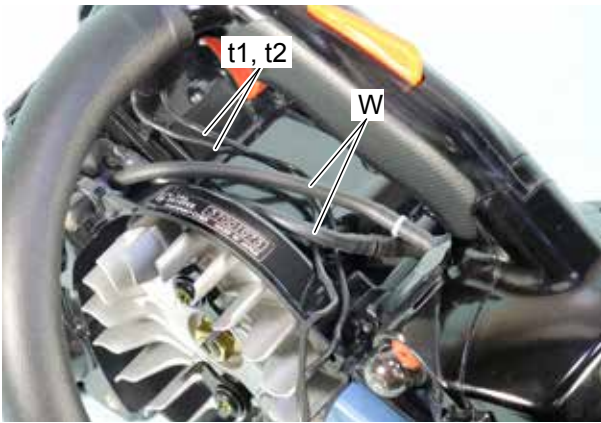
Section view



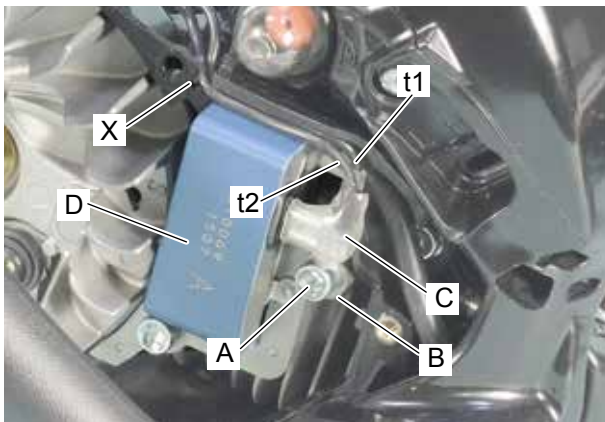
13. Tighten M5 bolt (P) and M4 bolt (Q).

14. Install plug (N).

3-6 Replacing ignition switch (Continued)



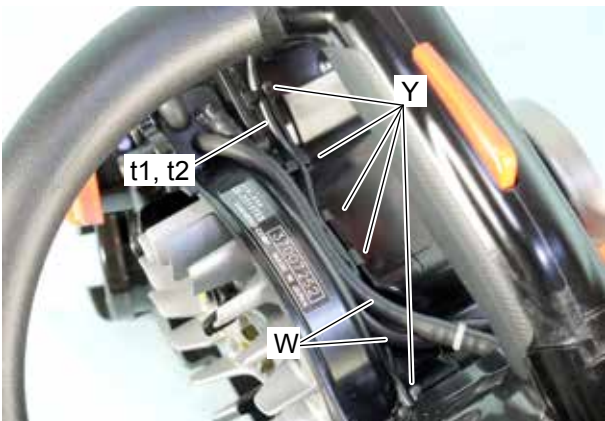
15. Pass switch lead (t1) and (t2) under fuel lines (W).



16. Install bolt (A) with ignition switch terminal (B) and connect ignition switch (C) as shown (Refer to "3-7 Replacing ignition coil", "3-8 Setting pole shoe air gaps").

17. Pass switch lead (t1) (for terminal (B)) through notch (X), then pass switch lead (t2) (for terminal (C)) over the lead (t1)

18. Set switch lead (t1) and (t2) between engine cover and ignition coil (D) as shown.



19. Pass switch lead (t1) through four guides (Y), then pass switch lead (t2) over the lead (t1)

20. Place fuel lines (W) as shown.

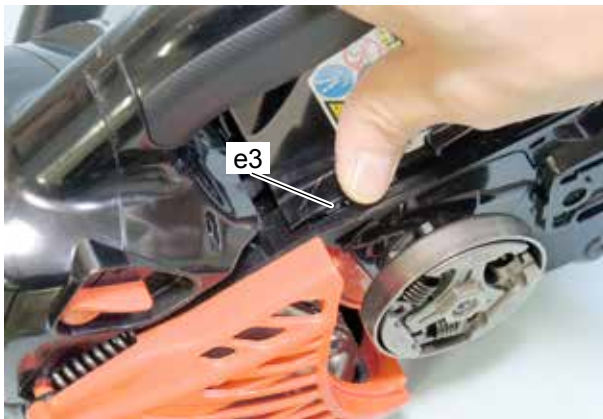


21. Insert projection (e1) on dust cover to hole on engine cover.

3-6 Replacing ignition switch (Continued)



22. Insert front / starter side tab (e2) on dust cover into engine cover.



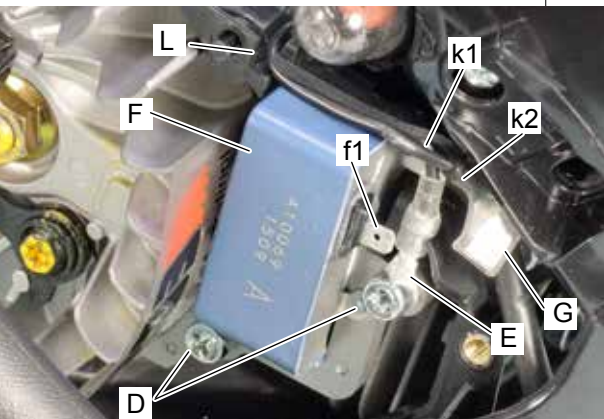
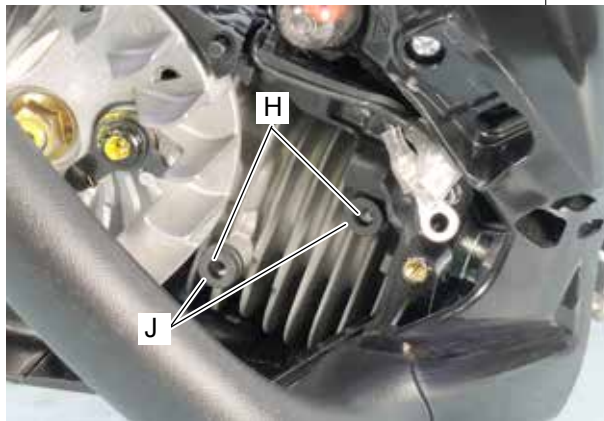
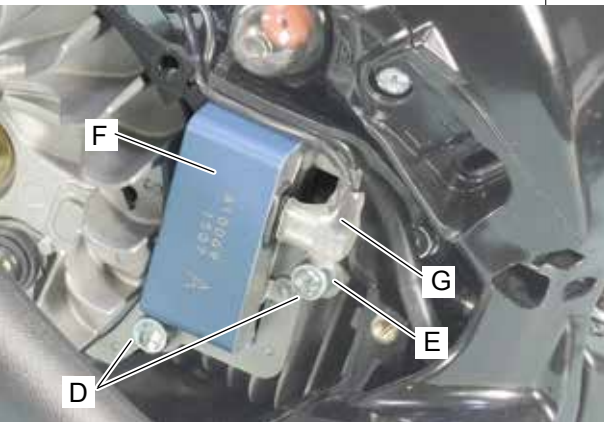
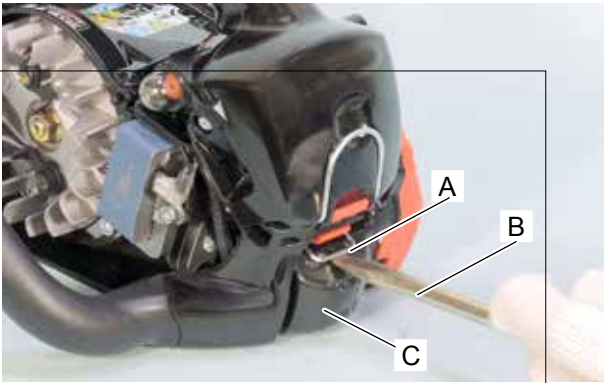
23. Insert rear / clutch side tab (e3) on dust cover into engine cover.



24. Insert front / clutch side tab (e4) on dust cover into engine cover with screwdriver or equivalent.

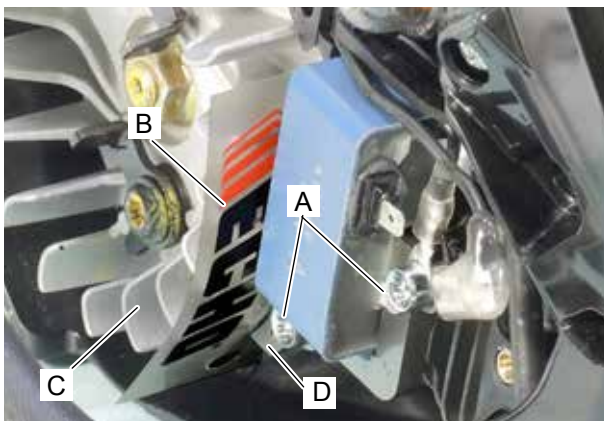
25. Reassemble all removed parts.

3-7 Replacing ignition coil



1. Remove starter assembly.
2. Unhook ring (A) with screwdriver (B) or equivalent and open cap cover (C).
3. Disconnect spark plug cap from spark plug.
4. Loosen two bolts (D) and remove ignition switch terminal (E), ignition coil (F), taking care not to lose collars.
5. Disconnect ignition switch terminal (G) from ignition coil (F).
6. Remove spark plug cap, spark plug cap coil from high tension lead. (Refer to "3-6 Replacing spark plug cap and coil").
7. Install spark plug cap and spark plug cap coil to new ignition coil (F).
8. Apply a drop of thread locking sealant (Loctite® #222 or ThreeBond #1344J or equivalent) to tapped hole (H) of cylinder.
9. Set collars (J) as shown.
10. Loosely install new ignition coil (F) and ignition switch terminal (E) with bolts (D), through collars (J). Set pole shoe air gaps (Refer to "3-8 Setting pole shoe air gaps"). Tighten two bolts (D).
11. Connect ignition switch terminal (G) to ignition coil terminal (f1).
12. Pass switch lead (k1) (for terminal (E)) through notch (L), then pass switch lead (k2) (for terminal (G)) over the lead (k1).
13. Set switch lead (k1) and (k2) between engine cover and ignition coil (F). Reassemble all removed parts.

3-8 Setting pole shoe air gaps



1. Loosen two bolts (A) and insert Module air gap gauge: 91004 (B) or 0.3 - 0.4 mm (0.012 - 0.016 in) thick feeler gauge between flywheel (C) and ignition coil shoes (D).

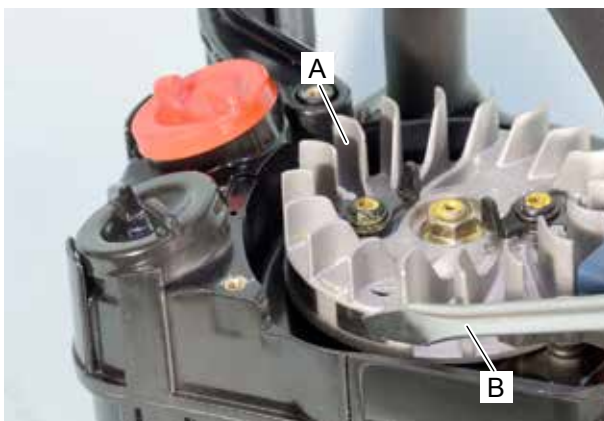
2. Rotate flywheel (C) until magnetic poles of flywheel face ignition coil shoes (D).

3. Hold ignition coil against flywheel (C) and tighten the bolts (A) (Refer to "3-7 Replacing ignition coil"). After tightening bolts, remove Module air gap gauge: 91004 (B) or feeler gauge.

NOTE: When air gap is too narrow, contact with flywheel may result. When the air gap is too wide, spark is weak.

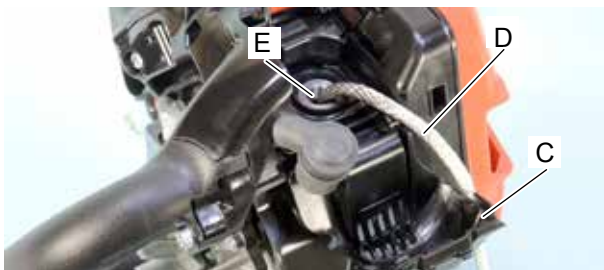
4. Reassemble all removed parts.

3-9 Inspecting flywheel and key



1. Inspect magnetic force of flywheel (A) using flux meter, or screwdriver (B) as shown.

2. If magnetic force is weak, replace flywheel (A) as follows.



3. Open cap cover (C). Disconnect spark plug cap and remove spark plug.

4. Install clean rope (D) in spark plug hole (E) to stop crankshaft rotation.

NOTE: Do not use piston stopper to avoid piston damage.



5. Remove nut (F) by rotating counterclockwise.

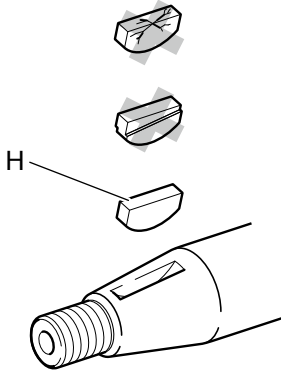
NOTE: Do not use power tool to remove nut (F). Otherwise, piston damage may occur.

3-9 Inspecting flywheel and woodruff key (Continued)

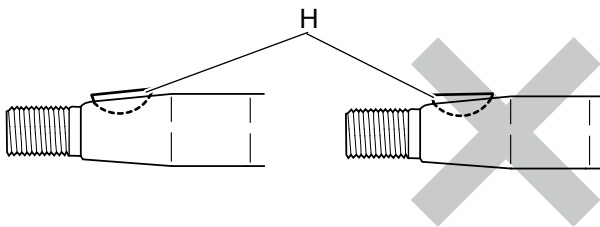


6. Remove starter pawls. Then set puller Y089000110 or Y089000111 (G) on flywheel (A) as shown.

7. Tighten two nuts (g1) on the puller alternately to remove flywheel (A).



8. Inspect woodruff key (H) for damage or shearing. Replace as required.



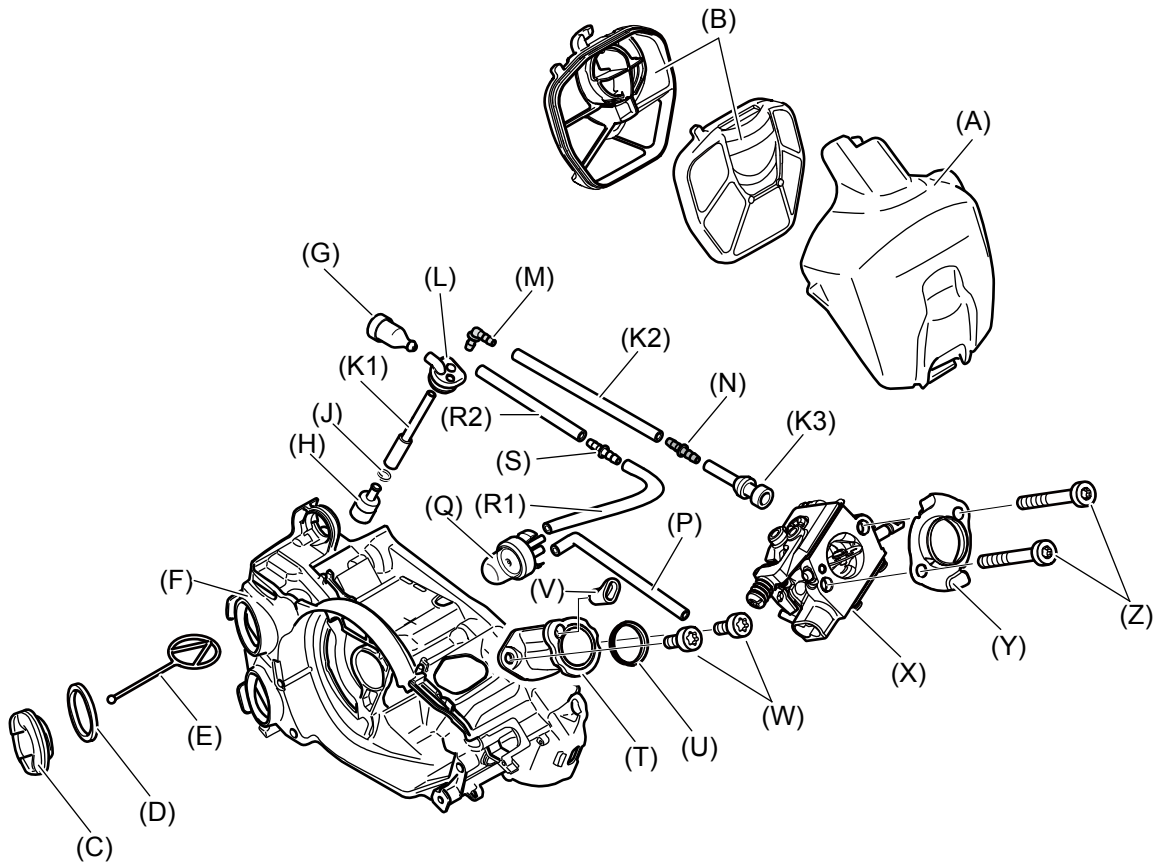
9. Wipe off oil from taper part of crankshaft and flywheel before assembling flywheel.

10. Install woodruff key (H) into key groove.

11. Reinstall starter pawls (Refer to "2-4 Replacing starter pawl").

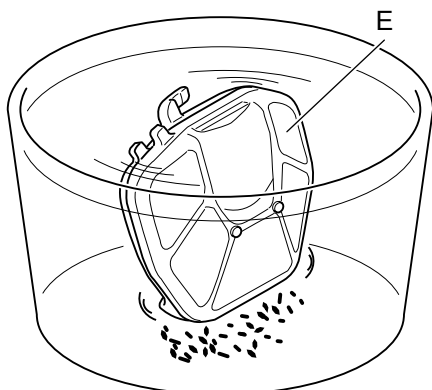
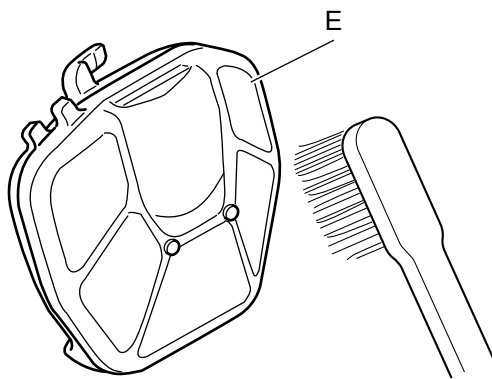
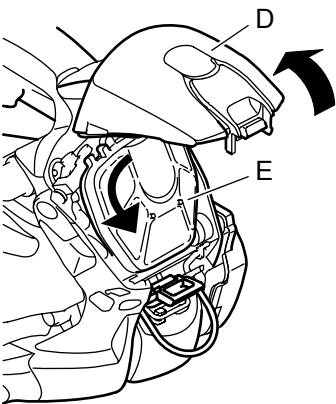
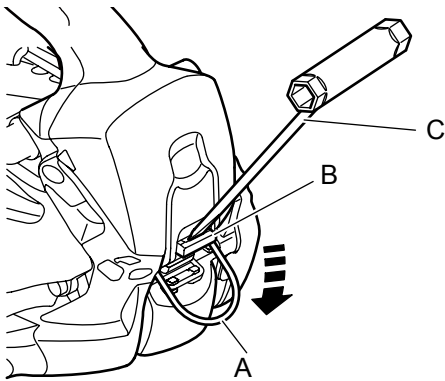
12. Align flywheel key groove with woodruff key on crankshaft. Install flywheel and fasten flywheel nut clockwise.

4 FUEL SYSTEM



- | | |
|-------------------------------|-----------------------------------|
| (A) Air cleaner cover | (N) Joint (black) |
| (B) Air filter | (P) Purge line (L-shaped) |
| (C) Fuel cap | (Q) Purge bulb |
| (D) Gasket | (R1) Fuel return line (3x5x58mm) |
| (E) Connector | (R2) Fuel return line (3x5x115mm) |
| (F) Fuel tank | (S) Joint (white) |
| (G) Fuel tank vent | (T) Intake bellows |
| (H) Fuel strainer | (U) Collar |
| (J) Clip | (V) Collar |
| (K1) Fuel line (in fuel tank) | (W) Bolt (M4) |
| (K2) Fuel line (3x5x95mm) | (X) Carburetor |
| (K3) Fuel line | (Y) Carburetor elbow |
| (L) Grommet | (Z) Bolt (M5) |
| (M) Joint (L-shaped, black) | |

4-1 Inspecting air filter



1. Close choke shutter.
2. Turn lifting hook (A) down to the end.
3. Unlatch air cleaner cover latch (B) with screw driver (C) or equivalent.

4. Turn up and remove air cleaner cover (D).
5. Turn air filter (E) counterclockwise and remove it.

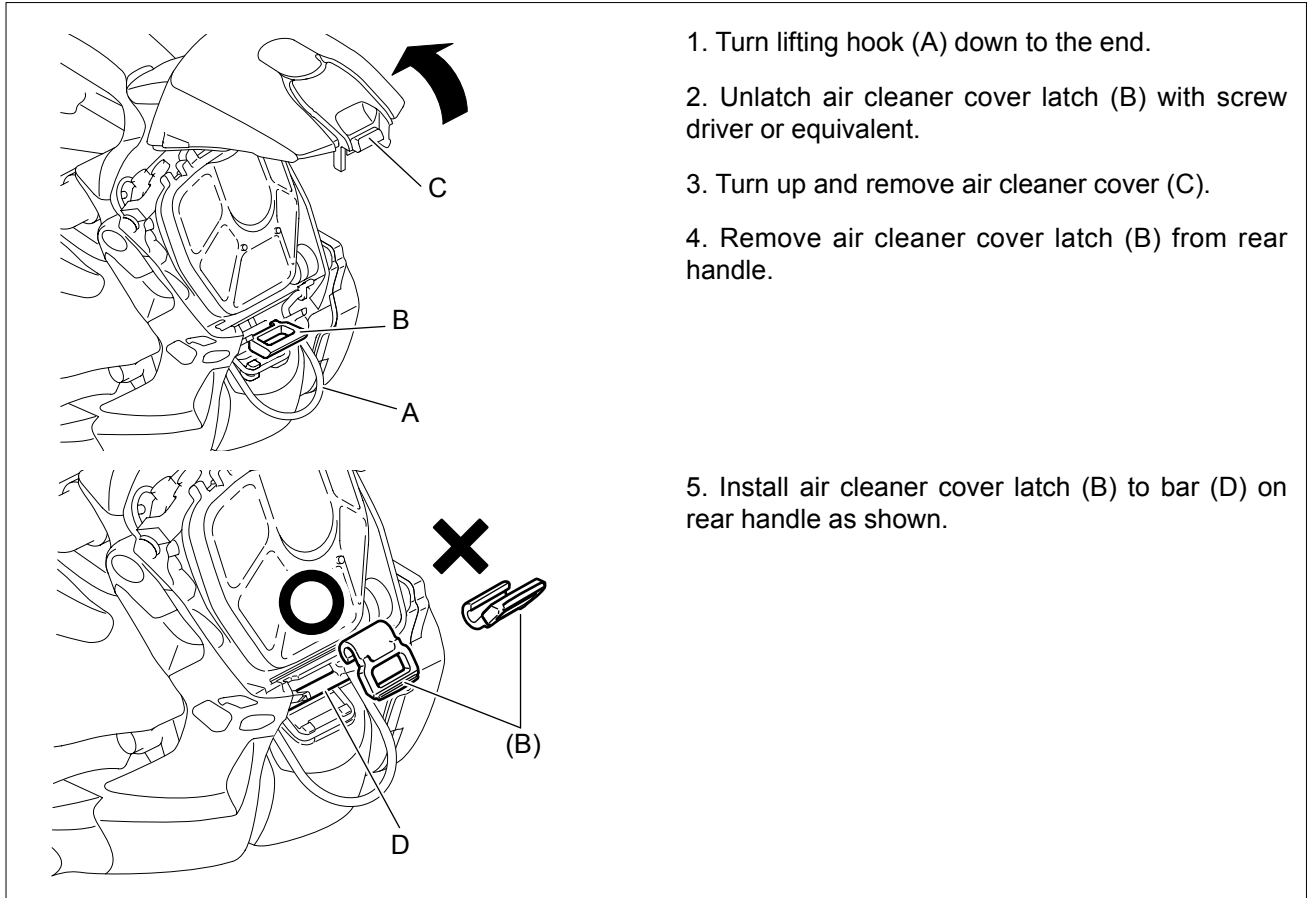
6. Inspect air filter (E). If blocked with dirt or dust, remove the obstruction with using brush.

7. If heavily blocked with dirt or dust, clean air filter (E) with compressed air or wash away with non-flammable solvent/detergent.

WARNING  **DANGER**

Wear eye protection when working with compressed air. Eye damage can occur from flying particles.

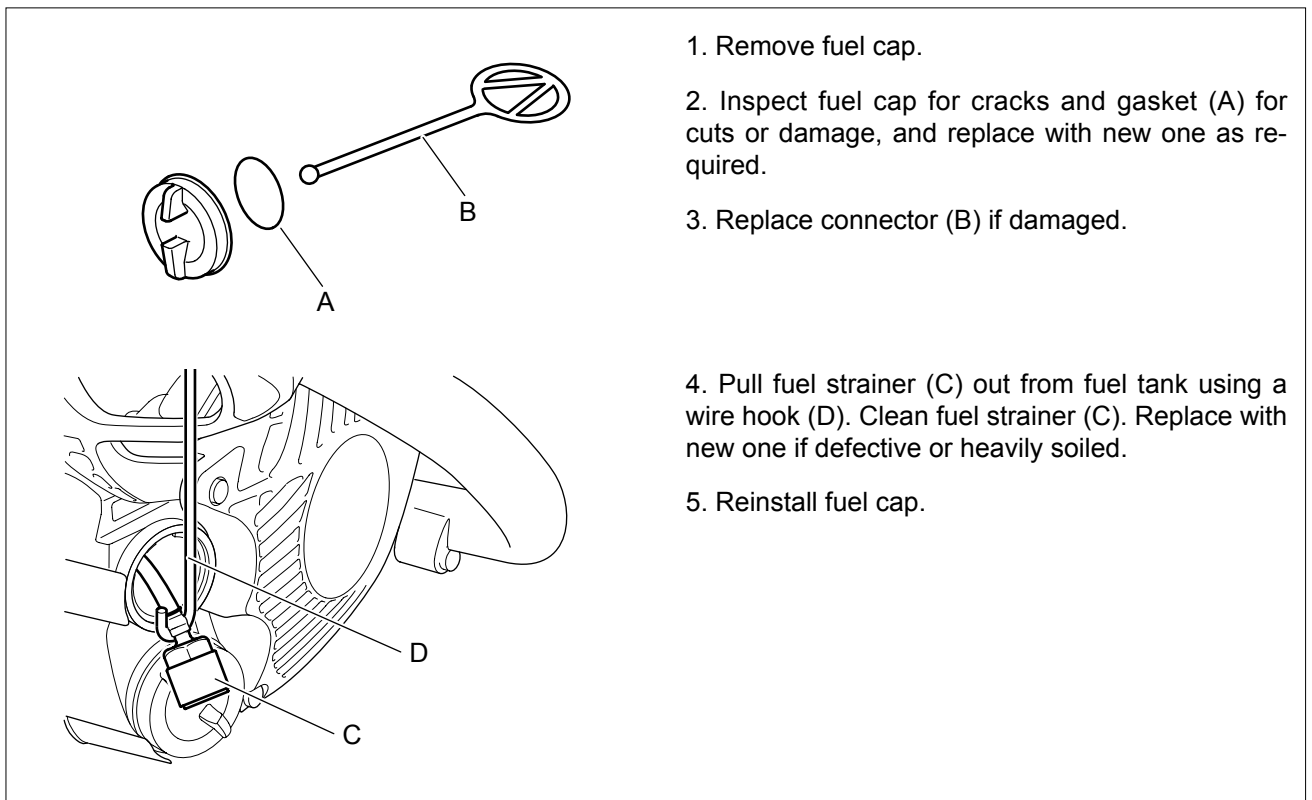
4-2 Replacing air cleaner cover latch



1. Turn lifting hook (A) down to the end.
2. Unlatch air cleaner cover latch (B) with screw driver or equivalent.
3. Turn up and remove air cleaner cover (C).
4. Remove air cleaner cover latch (B) from rear handle.

5. Install air cleaner cover latch (B) to bar (D) on rear handle as shown.

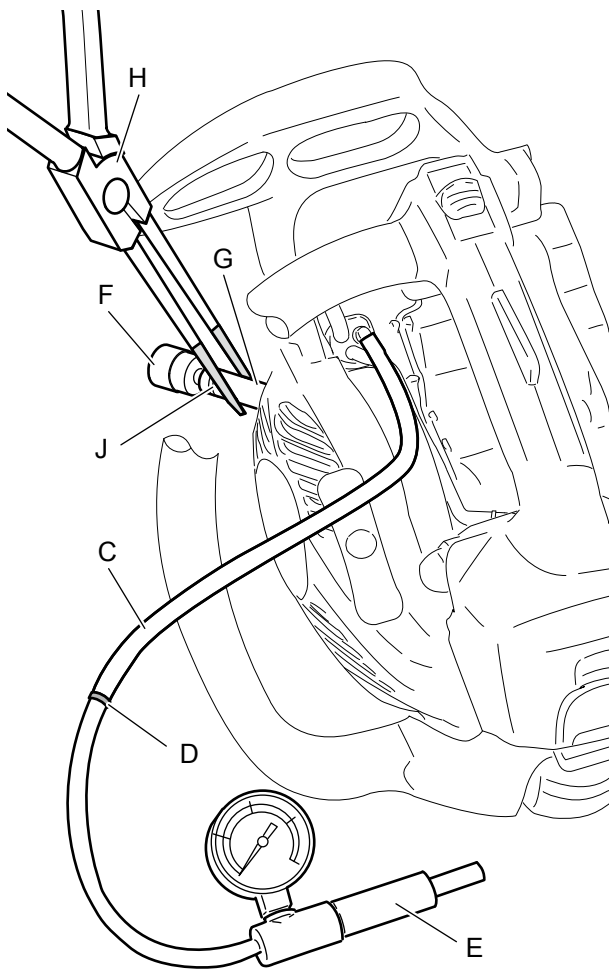
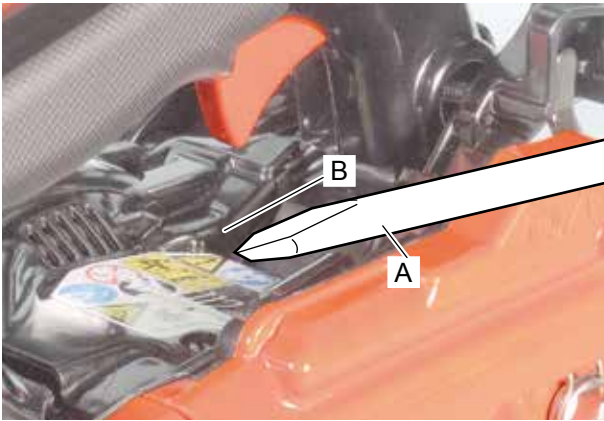
4-3 Inspecting fuel cap and fuel strainer



1. Remove fuel cap.
2. Inspect fuel cap for cracks and gasket (A) for cuts or damage, and replace with new one as required.
3. Replace connector (B) if damaged.

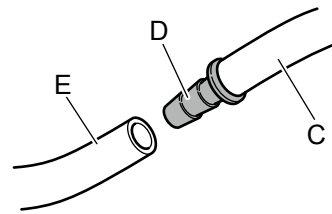
4. Pull fuel strainer (C) out from fuel tank using a wire hook (D). Clean fuel strainer (C). Replace with new one if defective or heavily soiled.
5. Reinstall fuel cap.

4-4 Inspecting fuel tank and line



1. Clean fuel tank inside as required.
2. Insert screwdriver (A) or equivalent between dust cover (B) and engine cover, and pry dust cover (B) away from engine cover.

3. Disconnect fuel line (C) with black joint (D) and connect pressure tester 89780330133 (E) to fuel line.



4. Remove fuel cap and pull out fuel strainer (F) from fuel tank.

5. Pinch fuel line (G) with longnose pliers (H) as shown.

NOTE: Wrap the ends of longnose pliers with tape (J) (or cover with soft pipes) to protect fuel line from damage.

6. Apply pressure approx. 50 kPa (0.5 kgf/cm²) (7 psi).

7. If pressure drops, replace with new fuel line (Refer to "4-7 Replacing fuel line and fuel return line").

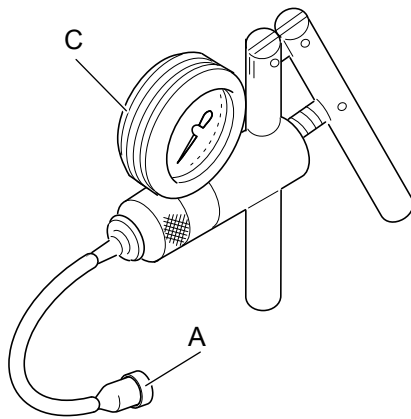
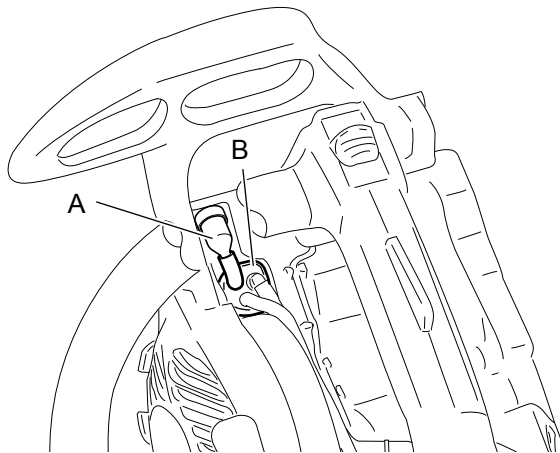
8. Put fuel strainer in fuel tank and fasten fuel cap securely.

9. Apply pressure approx. 10 kPa (0.1 kgf/cm²) (1.4 psi).

10. Pressure should not drop. If pressure drops, leakage may occur from fuel cap, fuel cap gasket, mating surface of fuel tank, grommet, or tank vent. Inspect and replace defective part(s) with new one.

11. Remove pressure tester (E) and connect fuel lines with joint.

4-5 Inspecting and replacing tank vent



NOTE: Tank vent prevents a vacuum from forming in fuel tank when fuel in fuel tank is being consumed. When pressure in fuel tank becomes too high, tank vent releases the pressure.

1. Remove dust cover (Refer to “4-4 Inspecting fuel tank and line”).

2. Remove tank vent (A) from grommet (B).

3. Connect tank vent (A) to pressure tester 91139 (C).

4. Apply pressure approx. 50 kPa (0.5 kgf/cm²) (7 psi). Make sure pressure is stable in range of 10 - 40 kPa (0.1 - 0.4 kgf/cm²) (1.4 - 5.7 psi).

5. If it is not in the range, gently clean tank vent with compressed air or replace with new one.

NOTE: Do not disassemble valves in tank vent assembly. Damage to valves will occur.

6. Apply negative pressure 20 kPa (0.2 kgf/cm²) (3 psi).

7. Tank vent should pass air freely without holding any pressure. If it does not, replace tank vent with new one.

4-5 Inspecting and replacing tank vent (continued)

NOTE: Inspection using 89780330133

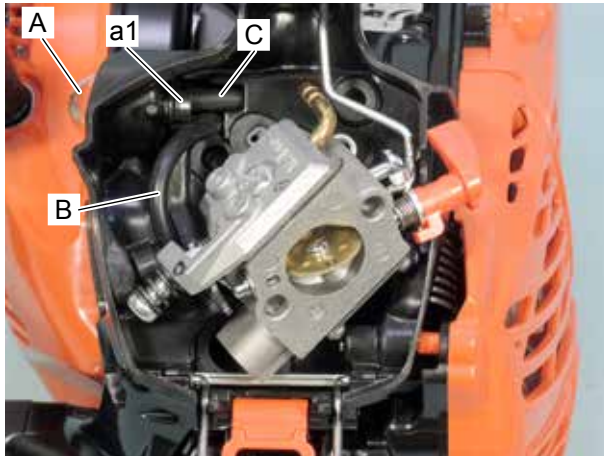
If pressure tester 91139 is not available, tank vent can be inspected with pressure tester 89780330133 as follows.

1. Connect tank vent (A) to pressure tester 89780330133 (B).
2. Apply pressure approx. 50 kPa (0.5 kgf/cm²) (7 psi). Make sure pressure is stable in range of 10 - 40 kPa (0.1 - 0.4 kgf/cm²) (1.4 - 5.7 psi).
3. If it is not in the range, gently clean tank vent with compressed air or replace with new one.

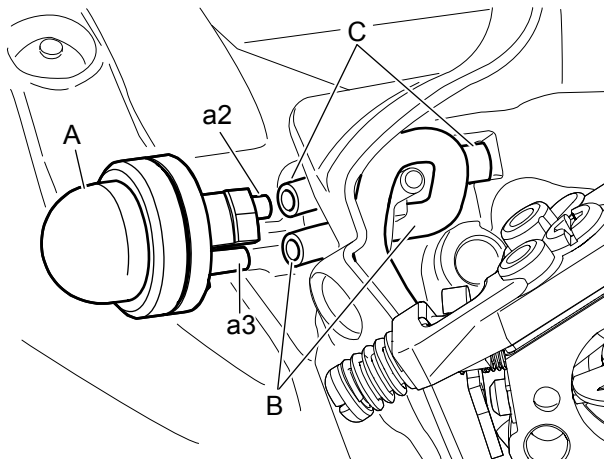
NOTE: Do not disassemble valves in tank vent assembly. Damage to valves will occur.

4. Remove cap (C) of tank vent, and clean sponge (D).
5. Cut pipe 36301100210 (E: 7x11x170mm) and 38201101110 (F: 9x13x350) in approx. 30mm (1 1/4 in) length, and connect them to pressure tester as shown. Connect tank vent (A) without cap to pipe as shown.
6. Plug hole (a) with finger and apply pressure 20 kPa (0.2 kgf/cm²) (3 psi). The pressure should hold steady.
7. Remove finger from hole (a). Tank vent should pass air freely without holding any pressure. If it does not, replace tank vent with new one.

4-6 Replacing purge bulb

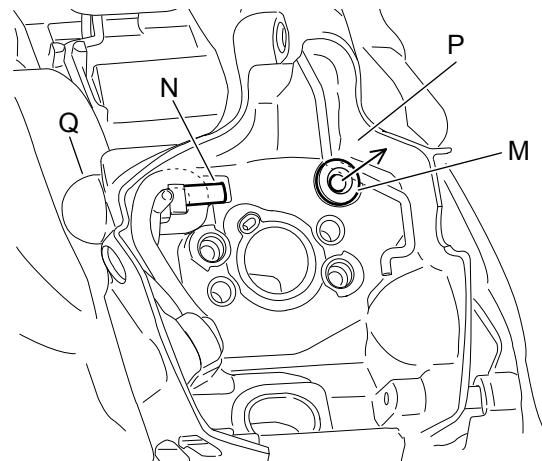
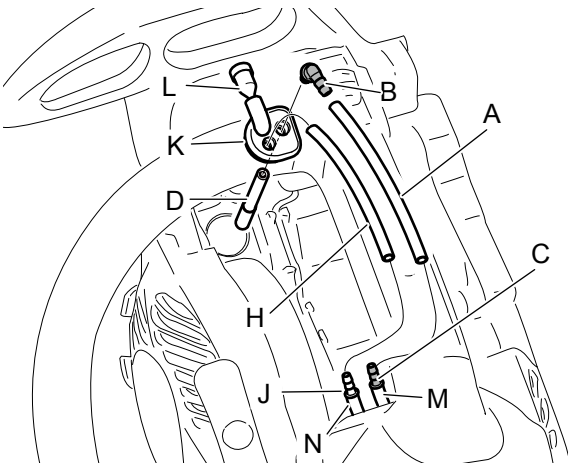
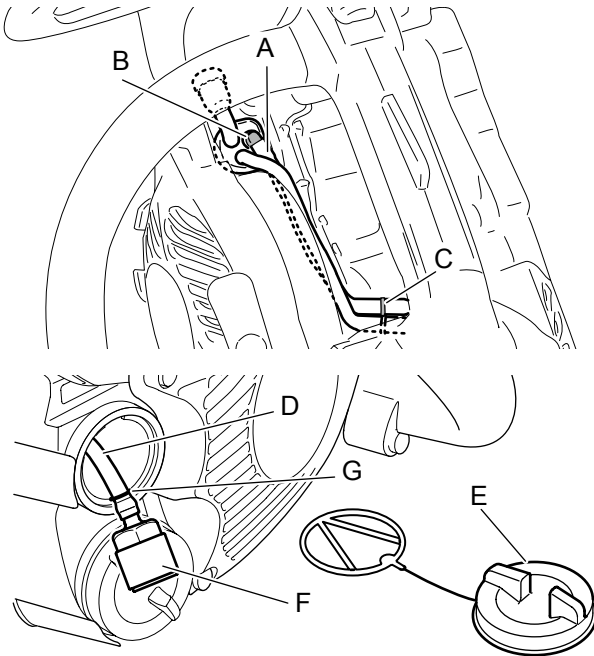
**{Removing}**

1. Remove air cleaner cover and air filter (Refer to "4-1 Inspecting air filter").
2. Remove carburetor elbow and carburetor (Refer to "4-9 Testing carburetor").
3. Press leg (a1) of purge bulb (A) with screwdriver to remove purge bulb (A) from rear handle.
4. Disconnect purge line (B) and fuel return line (C) from purge bulb (A).

**{Installing}**

5. Connect fuel return line (C) to longer fitting (a2) of purge bulb (A). Connect purge line (B) to shorter fitting (a3) of purge bulb (A).
6. Push purge bulb (A) into rear handle.
7. Reassemble removed parts (Refer to "4-15 Installing carburetor").

4-7 Replacing fuel line and fuel return line

**{Removing}**

1. Remove dust cover (Refer to “4-4 Inspecting fuel tank and line”).

2. Disconnect fuel line (A) from black joint (B) and (C). Inspect fuel line (A) and replace with new one if defective.

3. To replace fuel line (in fuel tank) (D) and fuel return line, remove fuel cap (E) and remove fuel strainer (F) and clip (G) from fuel line (D).

4. Disconnect fuel line (A) from black joint (C) and fuel return line (H) from white joint (J), respectively.

5. Remove grommet (K) from the unit together with fuel line (D), fuel return line (H) and tank vent (L). Then remove fuel line (D), black joint (B) and fuel return line (H) from grommet (K).

6. Inspect fuel line (D), joint (B), fuel return line (H) and grommet (K). Replace with new one if defective.

7. To replace fuel line (M) and fuel return line (N), disconnect fuel line (M) from black joint (C) and fuel return line (N) from white joint (J).

8. Remove air cleaner cover, air filter, carburetor elbow and carburetor.

9. Remove fuel line (M) from rear handle assembly (P). Inspect fuel line (M). Replace with new one if defective.

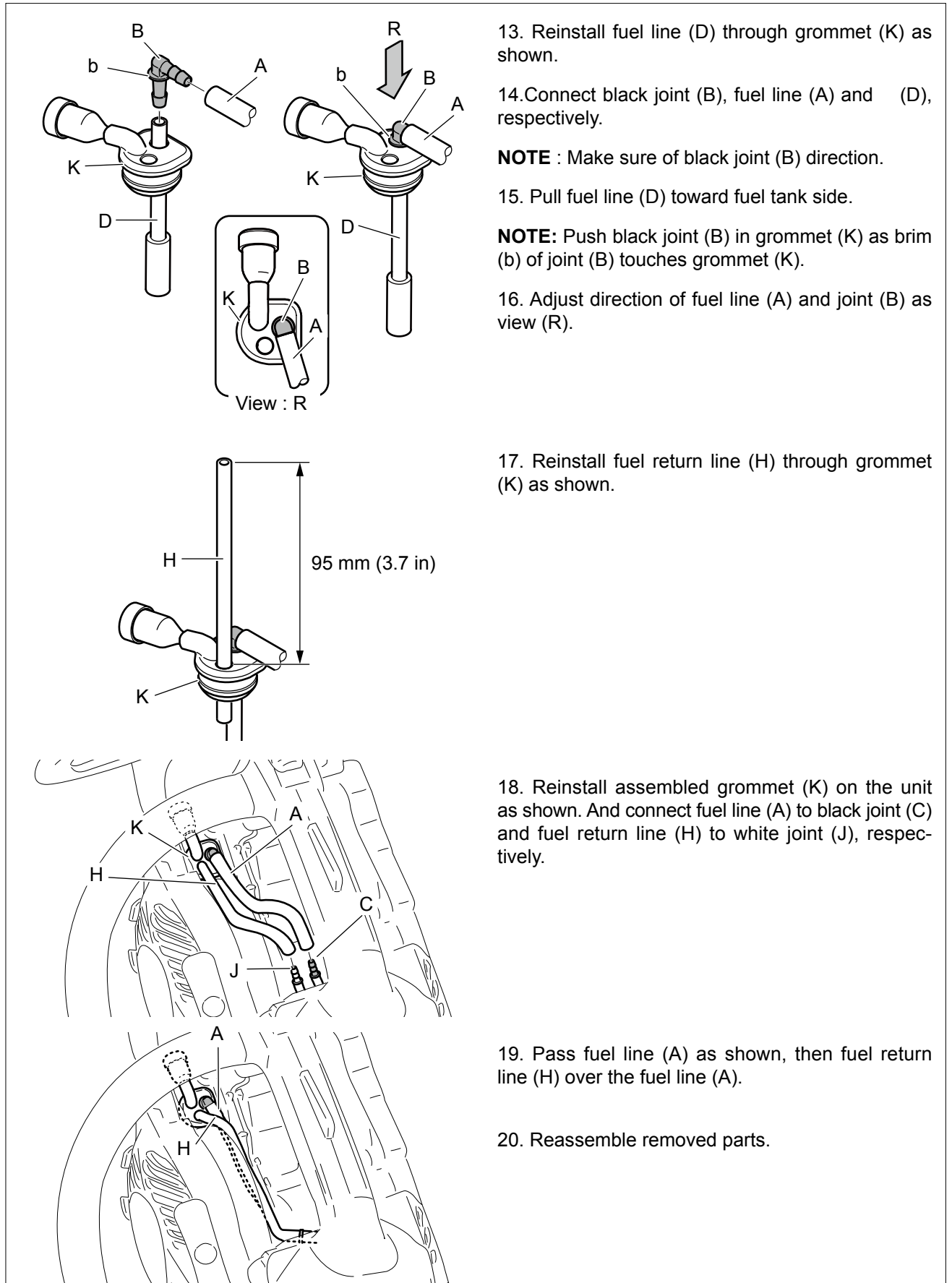
10. Disconnect fuel return line (N) from purge bulb (Q). Inspect fuel return line (N). Replace with new one if defective.

{Installing}

11. Insert fuel line (M) to rear handle assembly (P) and connect fuel line (M) and black joint (C).

12. Connect fuel return line (N) and purge bulb (Q) and white joint (J).

4-7 Replacing fuel line and fuel return line (continued)



4-8 Adjusting carburetor

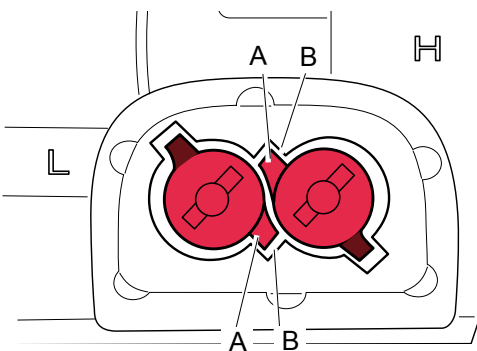
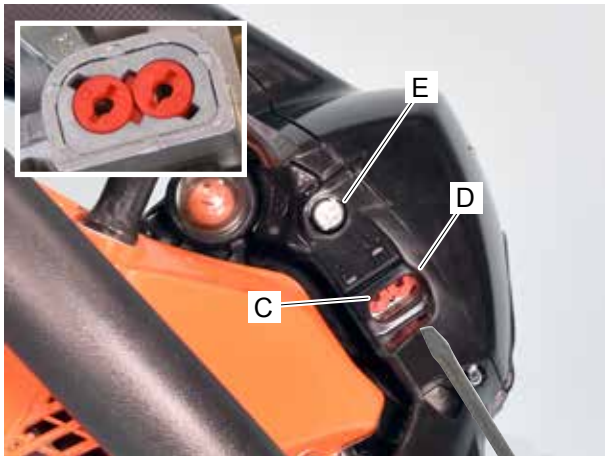
4-8-1 General adjusting rules

- A. Before starting the unit for adjustment, check the following items.
1. The correct spark plug must be clean and properly gapped.
 2. The air filter element must be clean and properly installed.
 3. The muffler exhaust port must be clear of carbon.
 4. The fuel lines, tank vent and fuel filter are in good condition and clear of debris.
 5. The fuel is fresh (> 89 octane : $\frac{\text{RON}+\text{MON}}{2}$) and properly mixed at 50 : 1 with “ISO L-EGD” or “JASO M345-FC/FD” 2-stroke oil.
 6. 12 or 14 inch bar and chain must be installed, and properly tensioned.
- B. Adjustment with limiter caps on carburetor.

Set L and H mixture needles fully counterclockwise (CCW). Start and run engine for 100 seconds alternating engine speed between WOT for 5 seconds and idle for 5 seconds. Verify idle engine speed ranges from 2,800 to 3,600 r/min, and WOT engine speed ranges 12,700 to 13,400 r/min. If engine speed is out of range, adjust throttle adjust screw to 3,300 +/- 100 RPM. Adjust H mixture needle to 12,800 +/- 100 RPM by turning H limiter cap. If engine does not run correctly after this adjustment, proceed to the next step 4-8-2.

IMPORTANT : After adjusting carburetor according to the steps 4-8-2 and 4-8-3, the limiter cap(s) must be installed on L and H mixture needle(s) to comply with Emission Regulation.

4-8-2 Initial setting Throttle adjust screw, L mixture needle and H mixture needle



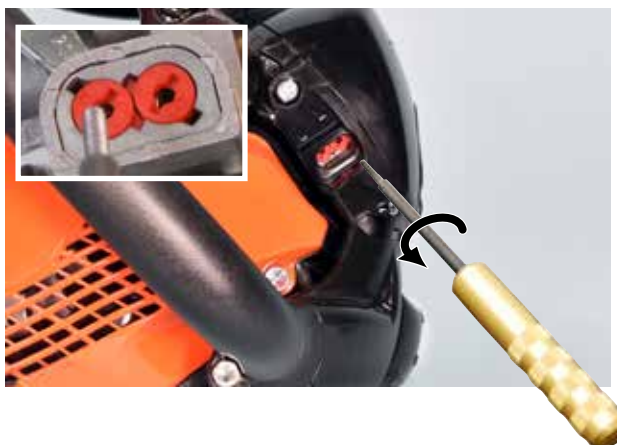
Tools Required : Small screwdriver with 2.0 mm blade, Tachometer PET-304 P/N G310000050, limiter cap removal tool with 2.5 mm left-hand thread P/N 91075. Parts Required : (2) limiter caps P/N P003000010.

1. Turn the L and H mixture needles CCW to rich side stop to align limiter cap tab (A) with locating slot (B), using 2.0 mm blade screwdriver.

NOTE : If cap tabs (A) misalign with locating slots (B), the cap cannot be removed and the center hole threads will strip. If center hole threads strip, use 3 mm limiter cap removal tool P/N 91076 to remove the limiter cap.

4-8 Adjusting carburetor (continued)

4-8-3 Adjusting carburetor



2. Screw 2.5 mm limiter cap removal tool P/N 91075 CCW into center hole of limiter cap until tab of the limiter cap just comes out of the locating slot.

NOTE : DO NOT REMOVE LIMITER CAP COMPLETELY FROM CARBURETOR!

If the first limiter cap is removed completely, the second limiter cap can be misaligned while inserting the cap removal tool.



3. Remove the limiter cap removal tool from the limiter cap by turning the tool clockwise (CW), leaving the limiter cap in place.

4. Screw 2.5 mm limiter cap removal tool P/N 91075 CCW into center hole of remaining limiter cap until the limiter cap is removed from the mixture needle completely. Remove the limiter cap from limiter cap removal tool by turning CW, then screw limiter cap removal tool into center hole of previous limiter cap to remove completely.

5. Turn L and H mixture needles CW until lightly seated, and then turn out both mixture needles following turns.

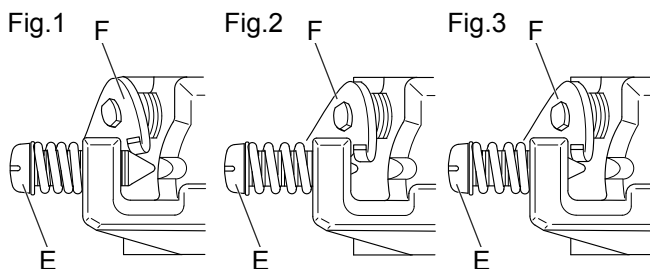
L mixture needle (C) : 2 3/4

H mixture needle (D) : 1 3/4

NOTE : If needles are overtightened during seating, damage to carburetor may occur.

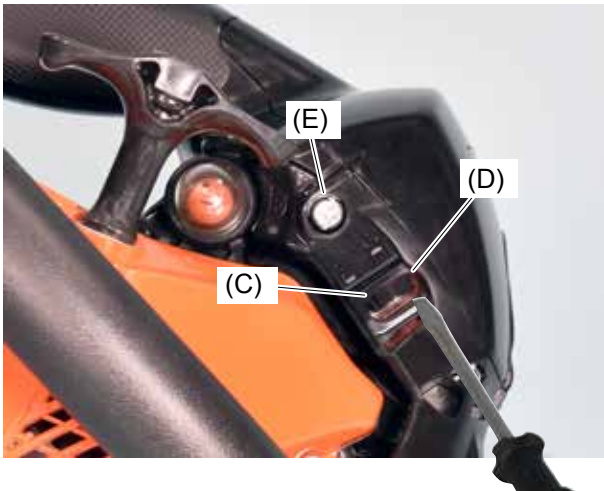


6. Remove air cleaner cover and air filter to see the throttle adjust screw (E) contacts the throttle plate (F) (Fig.1). Turn the screw(E) CCW until its tip no longer touches the throttle plate (F) (Fig.2). Then turn the screw (E) CW until its tip just comes into contact with the plate (F) again (Fig.3). Finally, turn the screw (E) 1 turns CW. Reinstall air filter and air cleaner cover.



NOTE : The initial carburetor settings for throttle adjust screw, L and H mixture needles are intended to start and run the engine before final carburetor adjustments are made to conform the unit to meet Emission Regulation. The actual number of turns needed for engine operation may vary.

4-8-3 Adjusting carburetor (continued)



1. Start and warm engine for 100 seconds alternating engine speed between WOT for 5 seconds and idle for 5 seconds. Turn H mixture needle (D) CCW until engine speed drops to approx. 13,000 RPM at WOT.

NOTE : Do not run engine at high speed without load (cutting) longer than 10 seconds, or engine damage may occur.

2. Adjust L mixture needle (C) using 2.0mm blade screwdriver to reach maximum engine RPM just before lean drop off.

If chain starts to rotate during adjustment, decrease engine speed by turning throttle adjust screw (E) CCW until chain stops and then readjust L mixture needle (C).

3. Set idle speed to 4,100 RPM by turning throttle adjust screw (E). Engine RPM should be stable at 4,100 +/- 50 RPM after throttle adjust screw adjustment.

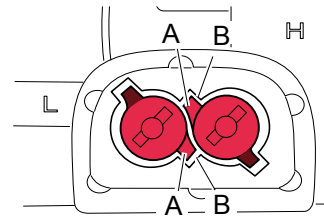
4. Turn L mixture needle (C) CCW reducing engine idle speed 800 RPM to set idle speed at 3,300 RPM. The engine idle speed ranges is 3,200 - 3,400 RPM.

NOTE : Engine speed must be allowed to stabilize a minimum of 20 seconds after each adjustment of L mixture needle to assure accurate tachometer readings.

5. Before adjustment, WOT engine speed should be 13,000 RPM or less. If engine speed is higher, turn H mixture needle (D) CCW until 13,000 RPM is achieved. Turn H mixture needle (D) clockwise in 1/8 turn increments with the engine at idle, then squeeze throttle trigger and check WOT engine speed. Adjust H mixture needle (D) to reach WOT engine speed within 12,500 - 12,700 RPM. To make the final WOT engine speed adjustment, turn H mixture needle (D) CW in 1/2 turn with the engine at idle, then squeeze throttle trigger and check WOT engine speed. The WOT engine speed should be within 12,700 - 13,400 RPM range.



6. After adjusting carburetor, screw new limiter cap CCW on the limiter cap removal tool (G) (P/N 91075) approximately 2 turns as shown. Align the limiter cap tabs (A) with locating slots (B) in extended housing of carburetor and put the limiter caps on L and H mixture needles respectively. Gently press the caps onto L and H mixture needles (do not rock caps back and forth). Remove tool (G) then fully seat caps until flush with housing of carburetor using bar tool.

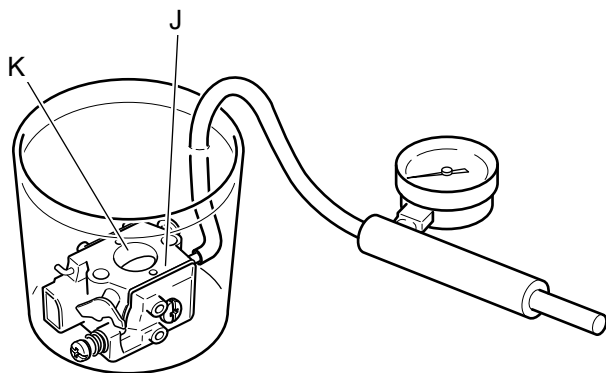
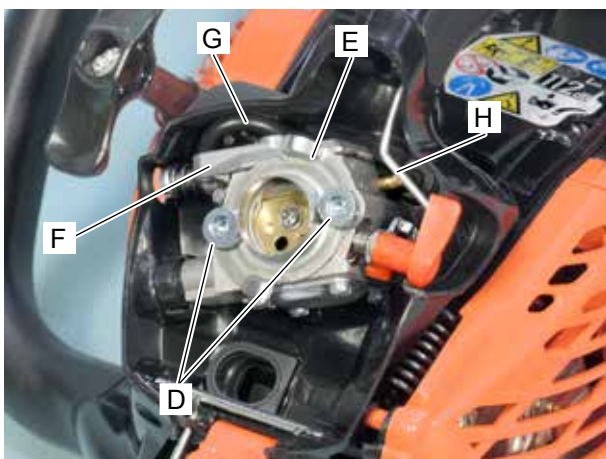
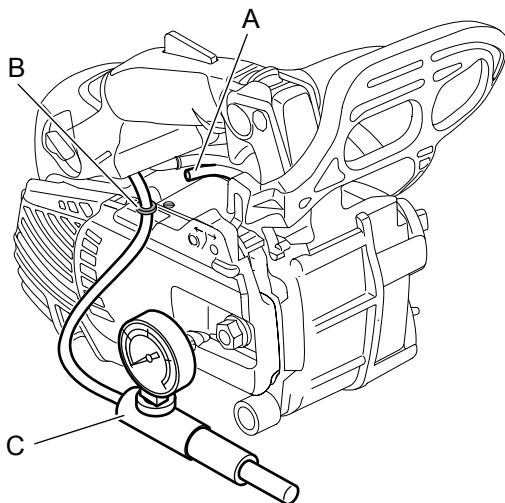


IMPORTANT : The limiter caps must be properly installed on L and H mixture needles to comply with Emission Regulations.

7. Start engine, and verify engine idle speed ranges from 2,800 to 3,600 RPM, and WOT engine speed ranges from 12,700 to 13,400 RPM. Make sure the chain does not rotate when engine is idling. When final adjustment is completed, the engine should idle, accelerate smoothly, and attain WOT per above specifications.

NOTE: WOT and idle engine speed in field operation may vary from final adjustment specifications due to changing ambient conditions and fuel. Safe engine speed variances should be within the WOT and Idle engine speed ranges listed in Section "1-2 Technical data", otherwise the carburetor should be readjusted.

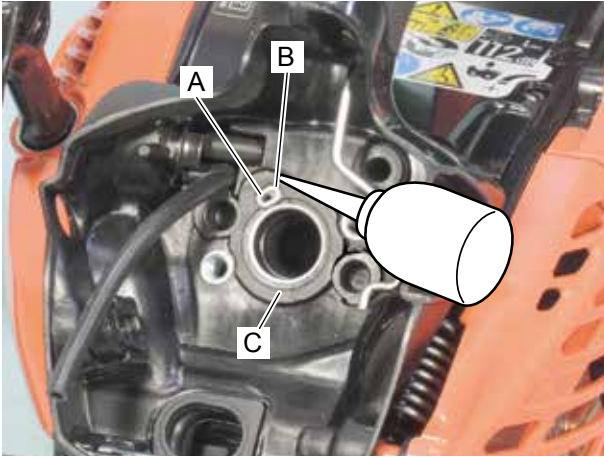
4-9 Testing carburetor



NOTE: To perform this test, carburetor interior should be wet with fuel. If dry, a little leakage may occur.

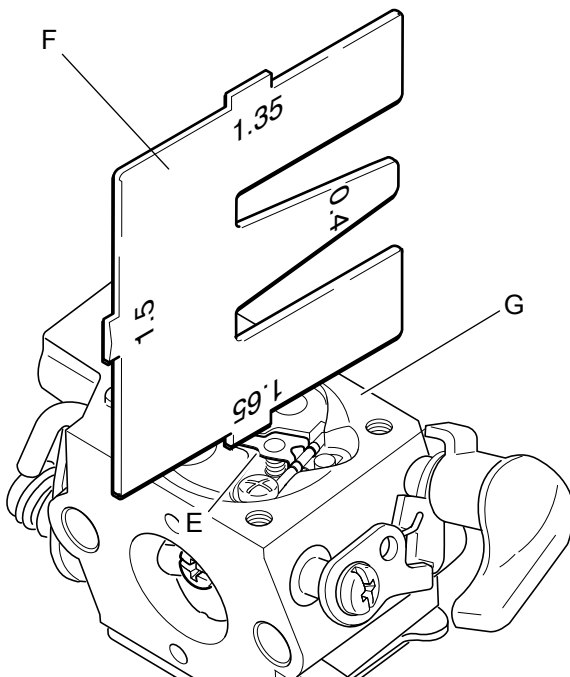
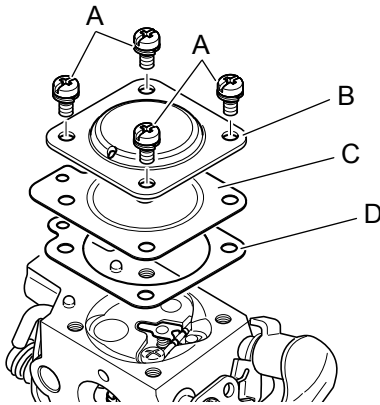
1. Remove dust cover.
2. Disconnect fuel line (A) from black joint (B). Connect pressure tester 89780330133 (C) to joint (B).
3. Apply pressure approx. 100 kPa (1 kgf/cm²) (14 psi).
4. If pressure remains steady, follow step 5 and 6. If pressure drops, proceed to step 7.
5. Lightly push purge bulb once. Pressure tester reading should drop and remain above 50 kPa (0.5 kgf/cm²) (7 psi).
6. If reading does not drop, inspect inlet needle valve for sticking or metering lever height is too low.
7. If pressure drops at step 3, or if pressure drops below standard figure at step 5, remove carburetor from the unit as step 8, 9 and 10.
8. Remove air cleaner cover and air filter.
9. Remove two bolts (D), carburetor elbow (E) and carburetor (F).
10. Disconnect purge line (G) and throttle rod (H) from carburetor (F).
11. Submerge carburetor in suitable clean solvent to locate the leak by applying pressure approx. 100 kPa (1 kgf/cm²) (14 psi).
12. If air bubbles come out between pump cover and carburetor body (J), inspect pump diaphragm, pump gasket, and diaphragm seat of carburetor body (Refer to "4-13 Inspecting diaphragm").
13. If air bubbles come out from throttle bore (K), inspect inlet valve, metering lever spring, and metering lever height (Refer to "4-12 Inspecting inlet needle valve").
14. Reassemble removed parts (Refer to "4-15 Installing carburetor").

4-10 Inspecting crankcase pulse passage



1. Remove carburetor.
2. Drop a little oil in pulse hole (A).
3. Remove spark plug and pull starter grip several times. Oil should spit back from the hole (A).
4. If not, remove collar (B) and inspect whether pulse passage of collar (B), intake bellows (C) and cylinder are clogged. Remove obstruction or replace with new one as required.

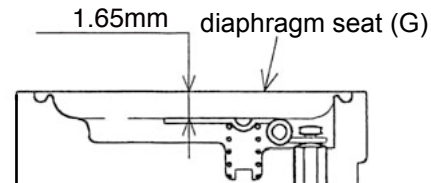
4-11 Inspecting metering lever height



1. Remove carburetor.
2. Remove four screws (A), metering diaphragm cover (B), metering diaphragm (C) and gasket (D).

3. Inspect metering lever (E) height by Metering lever gauge 89756319830 (F).

Metering lever height: 1.65 mm (0.065 in) lower than diaphragm seat (G).



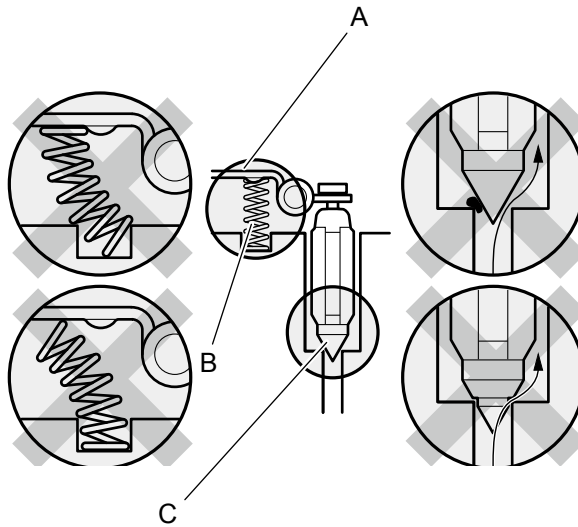
4. If necessary, gently bend metering lever (E) up or down to set metering lever to proper position.

NOTE: When metering lever is:

Too high → Fuel flooding occurs

Too low → Fuel starvation / overheating occurs

4-12 Inspecting inlet needle valve



1. Remove metering lever (A) and pivot pin. Remove spring (B) and inlet needle valve (C).

2. Inspect inlet needle valve if worn or sticky. Clean or replace as required.

NOTE: Causes of fuel flooding from carburetor to cylinder are as follows:

- Improper assembling of metering lever and spring.
- Dirt between inlet needle valve and valve seat.
- Worn inlet needle valve tip.

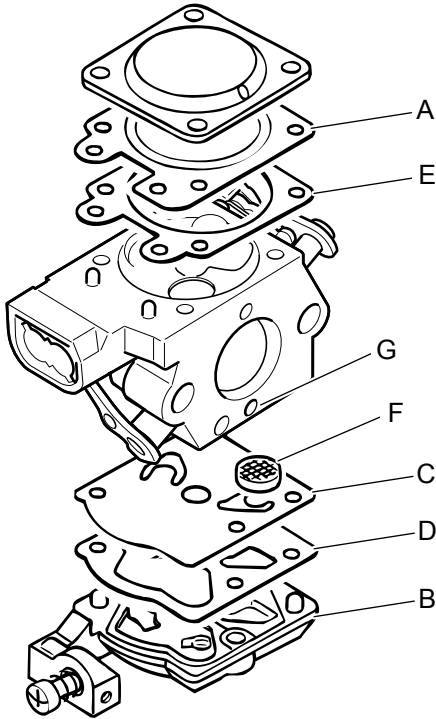
3. Clean inlet needle valve seat using suitable clean solvent (do not use metal tools).

4. Reassemble inlet needle valve (C), spring (B), metering lever (A) and pivot pin.

NOTE: Insure proper metering lever installation as follows.

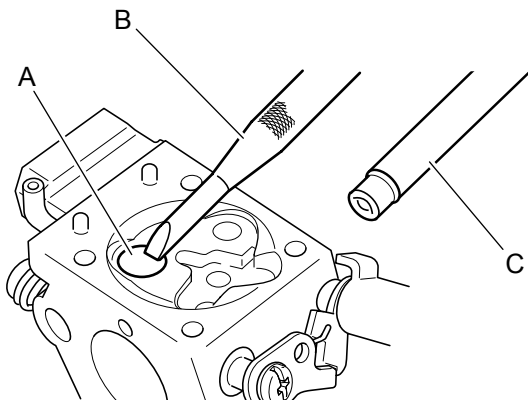
- (1) Spring is seated in its hole at chamber floor.
- (2) Spring is under dimple of metering lever.
- (3) Metering lever fork is holding inlet needle valve.

4-13 Inspecting diaphragm and others



1. Inspect metering diaphragm (A) for hardening, distortion, or pin hole. Replace as required.
 2. Remove pump cover (B), pump diaphragm (C) and pump gasket (D).
 3. Inspect pump diaphragm (C) and replace if hardened or curled at valve tabs.
 4. Make sure pulse chamber is clear of debris. If not, clean it.
 5. Inspect metering gasket (E) and pump gasket (D) and replace if defective.
 6. Inspect inlet screen (F). If blocked, remove and clean it, or replace.
 7. Clean pulse passage (G) with compressed air.
 8. Clean fuel passages in carburetor body with compressed air.
- NOTE:** Before cleaning metering side with compressed air, turn "H" needle clockwise until lightly seated and remove inlet needle valve. Otherwise, main nozzle check valve and inlet needle valve spring may be damaged by the compressed air.
9. Reassemble removed parts with particular attention to each aspect.

4-14 Replacing welch plug



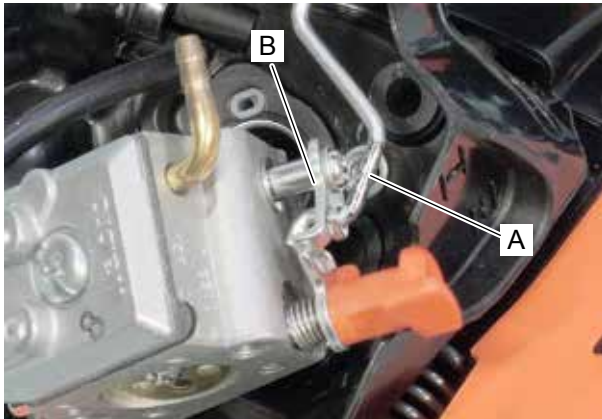
If engine does not run smoothly even after readjusting carburetor and inspecting carburetor parts, inspect low speed ports on carburetor as follows:

1. Remove metering lever and related parts to protect them from damage.
2. To remove welch plug (A), punch the remover tool (B) through welch plug at low angle and pry it out.

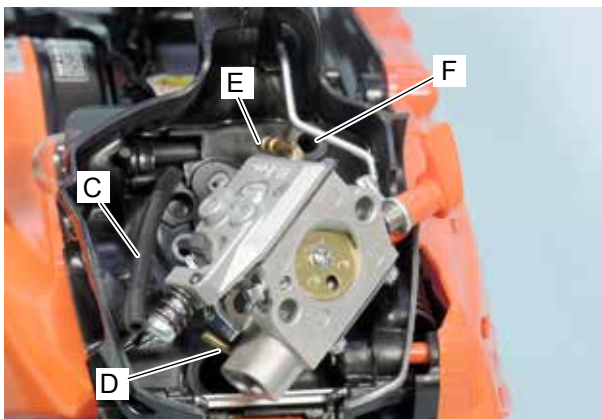
NOTE: Remover tool (B) is included in Welch plug tool 500-500.

3. Clean low speed ports with compressed air.
4. Place a new welch plug over the opening and gently tap it until flush using welch plug installer (C).
5. Install all removed parts to carburetor body.

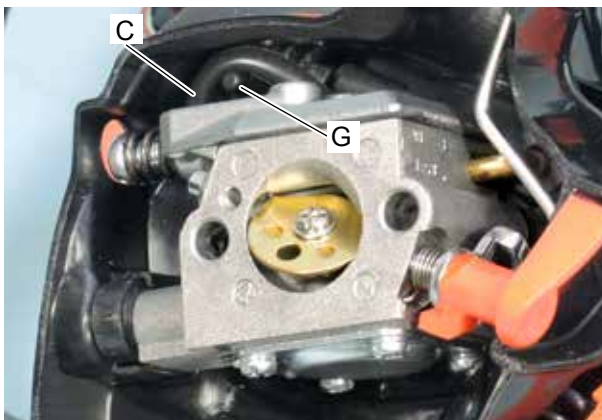
4-15 Installing carburetor



1. Connect throttle rod (A) to throttle lever (B).



2. Connect purge line (C) and joint (D) on carburetor and install fuel inlet (E) to fuel line (F).



3. Pass purge line (C) through tab (G) as shown.

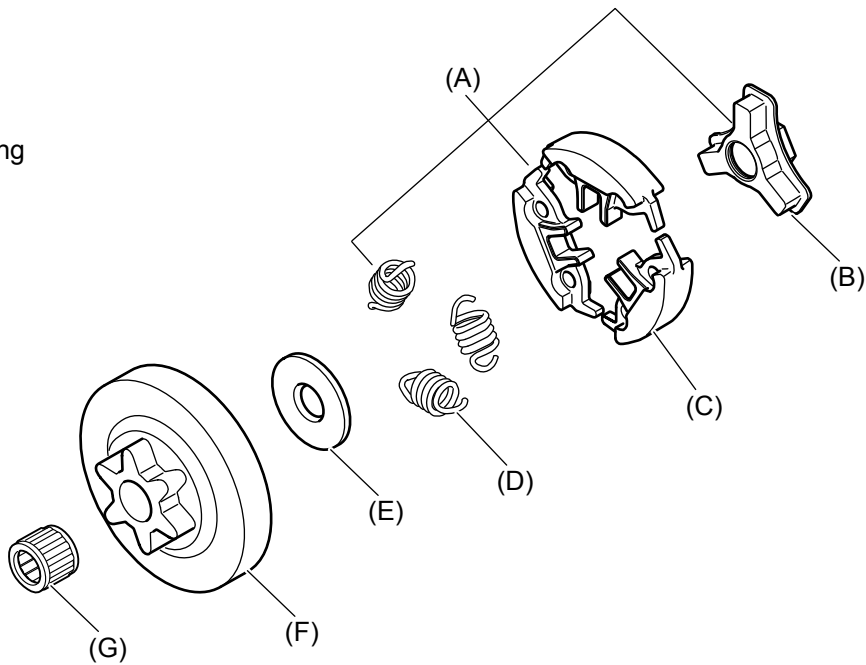


4. Fasten carburetor and carburetor elbow (H) with two bolts (J).

5. Reassemble removed parts.

5 CLUTCH SYSTEM

- (A) Clutch assembly
- (B) Clutch hub
- (C) Clutch shoe
- (D) Spring
- (E) Clutch plate
- (F) Clutch drum
- (G) Needle bearing

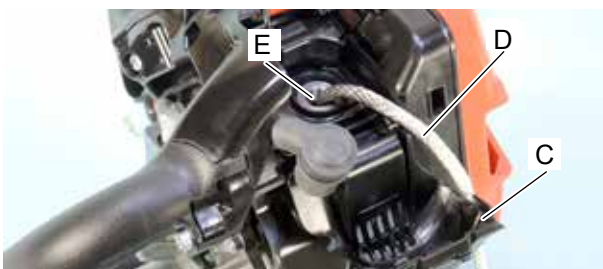


5-1 Inspecting clutch parts



1. Loosen nut (A) and remove sprocket guard (B).

NOTE: If starter assembly is installed, pull starter rope out about 20 cm (8 in), and make a temporary knot to prevent starter damage when installing clutch assembly.

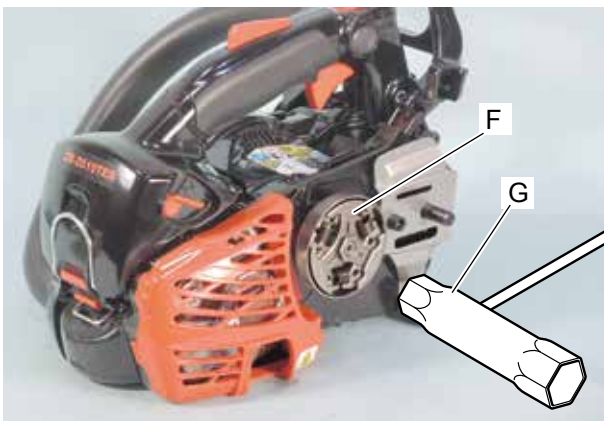


2. Open cap cover (C). Disconnect spark plug cap and remove spark plug.

3. Install clean rope (D) in spark plug hole (E) to stop crankshaft rotation.

NOTE: Do not use piston stopper to avoid piston damage.

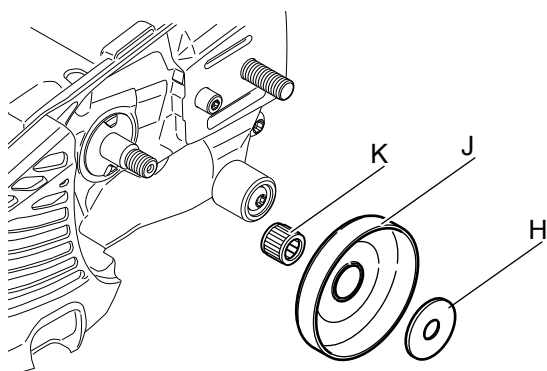
5-1 Inspecting clutch parts (continued)



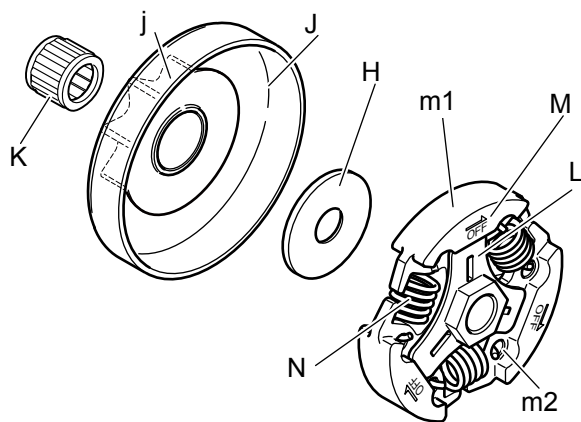
4. Rotate clutch assembly (F) clockwise by hand until it cannot be rotated further.

5. Loosen clutch assembly (Left-hand thread) rotating clockwise with wrench (G) and remove it.

NOTE: Do not use power tools. Otherwise, piston damage may occur.



6. Remove clutch plate (H), clutch drum (J), needle bearing (K).



7. Inspect matching surfaces of clutch hub (L) and clutch shoes (M). If their clearances are large, replace with new parts.

8. Inspect circumferences (m1) and holes (m2) hooked springs (N) for wear. Replace with new parts as required.

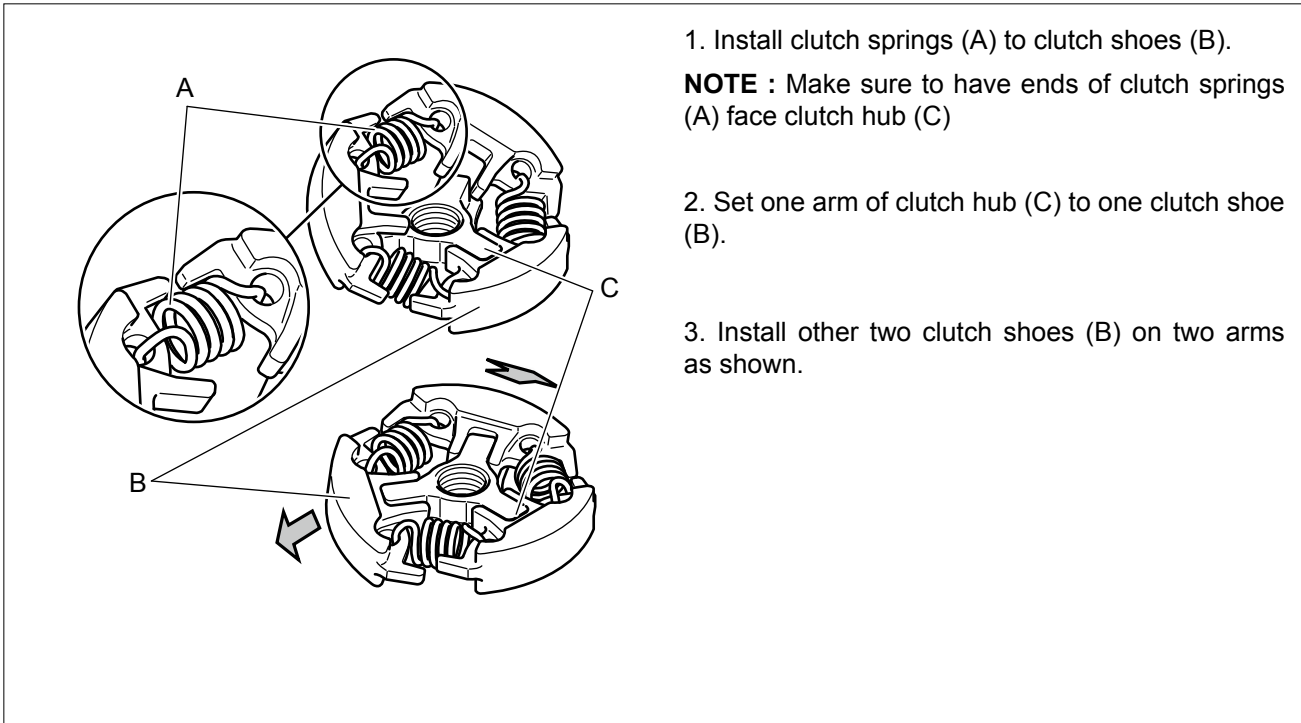
9. Inspect clutch plate (H) for wear. Replace with new one as required.

10. Inspect springs (N) for weakness or damage. Replace with new parts as required.

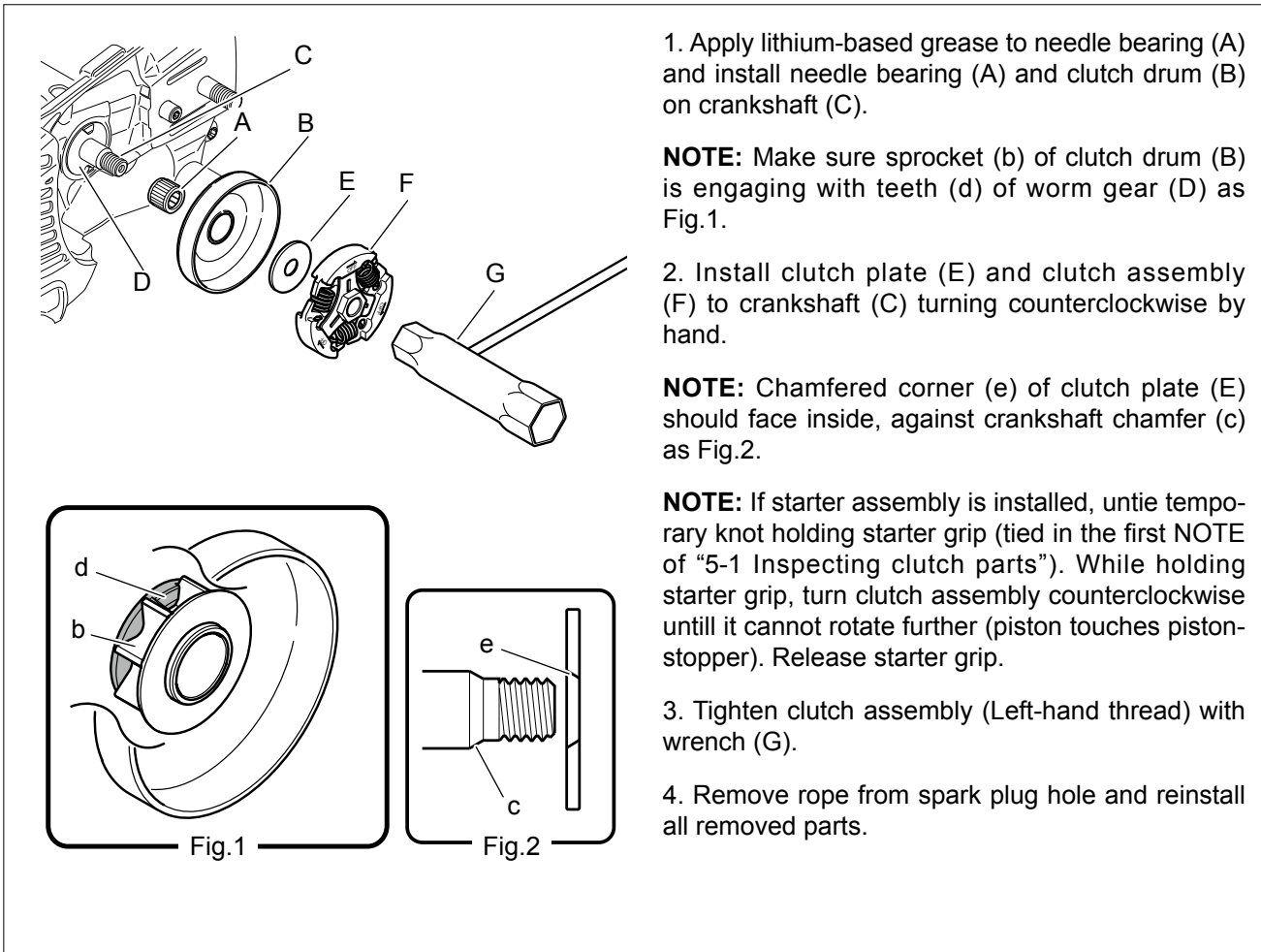
11. Inspect clutch drum (J) and its sprocket (j). Replace with new one if deformed or worn out. (Refer to "1-5 Service limits")

12. Inspect needle bearing (K) for damage, discoloration or deformation. Replace with new one as required.

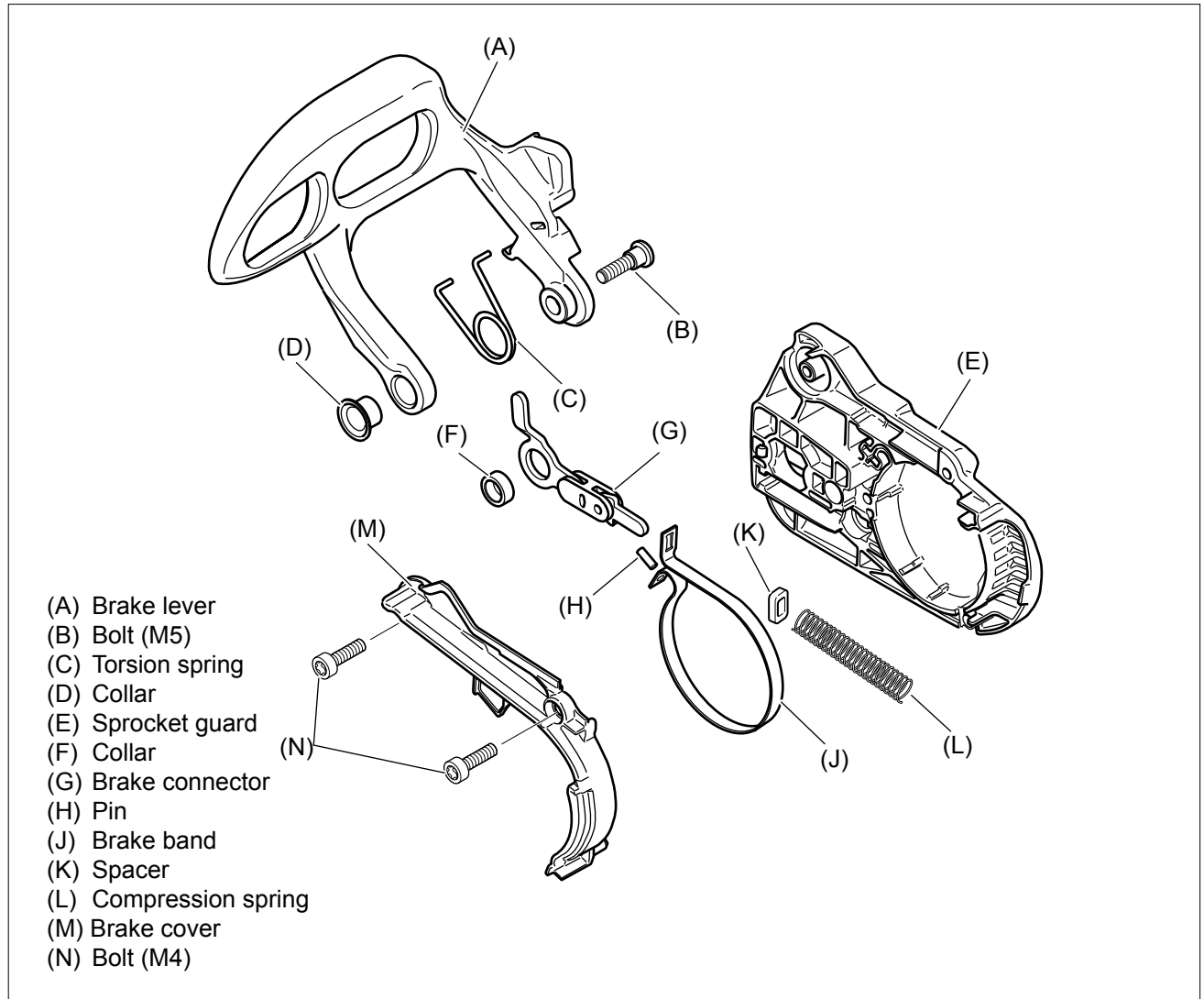
5-2 Replacing clutch parts



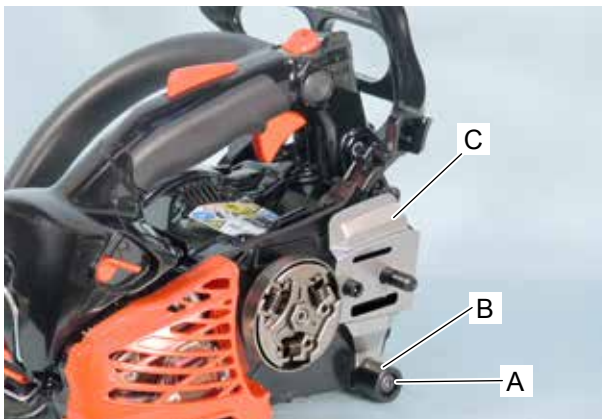
5-3 Installing clutch assembly



6 CHAIN BRAKE SYSTEM

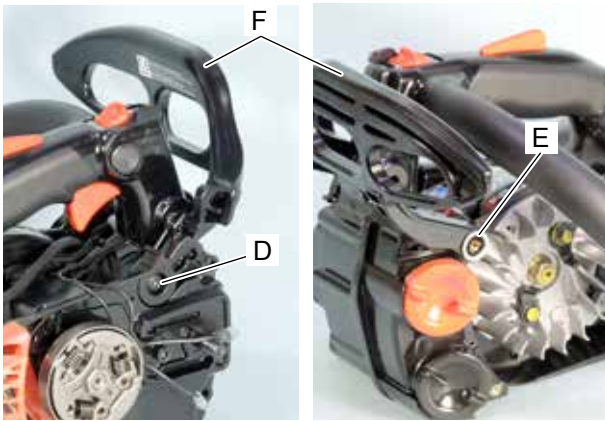


6-1 Replacing brake lever and torsion spring

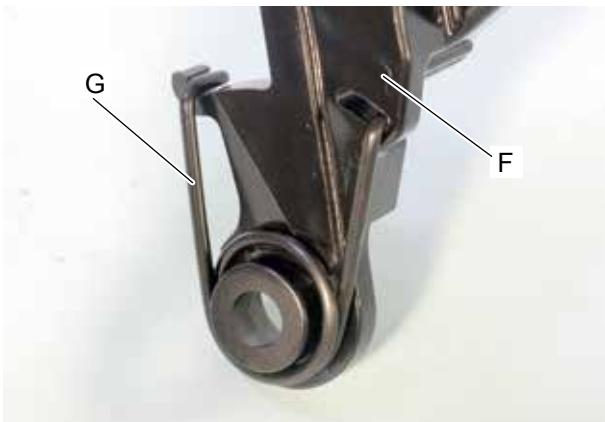
**{Disassembling}**

1. Remove starter assembly and sprocket guard from the unit.
2. Remove bolt (A), chain catcher (B), and sprocket guard plate (C)

6-1 Replacing brake lever and torsion spring (continued)



3. Remove bolt (D) , collar (E) and brake lever (F).

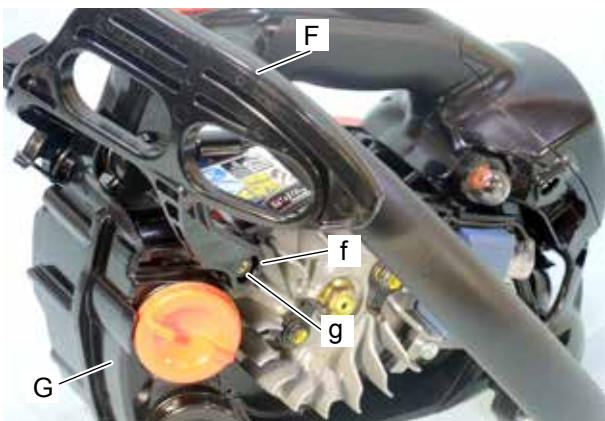


4. Remove torsion spring (G) from brake lever (F)

5. Check brake lever (F) if broken, and torsion spring (G) if deformed or broken. Replace with new part(s) if defective.

{Assembling}

6. Assemble torsion spring (G) as shown.



7. Put hole (f) of brake lever (F) on boss (g) of engine cover (G).

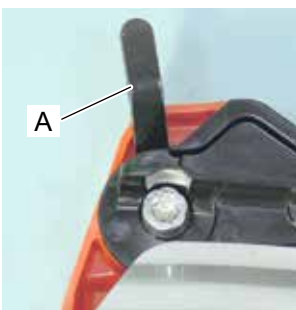
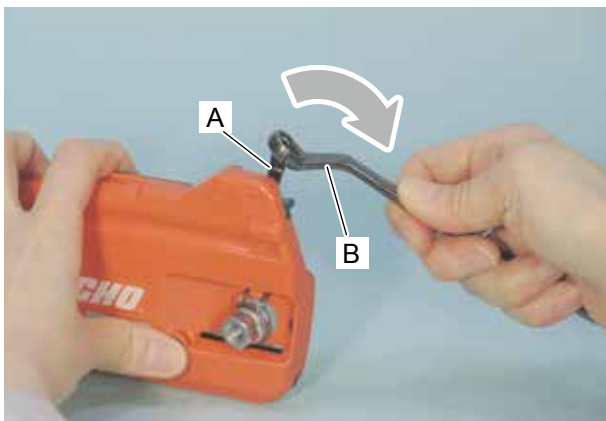


8. Assemble brake lever (F) pulling in direction of arrow.

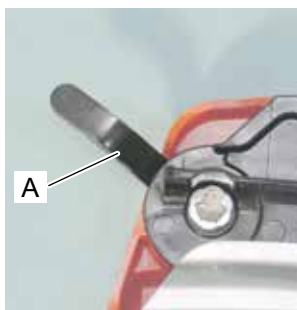
9. Tighten bolt (D) and insert collar (E).

10. Reassemble removed parts.

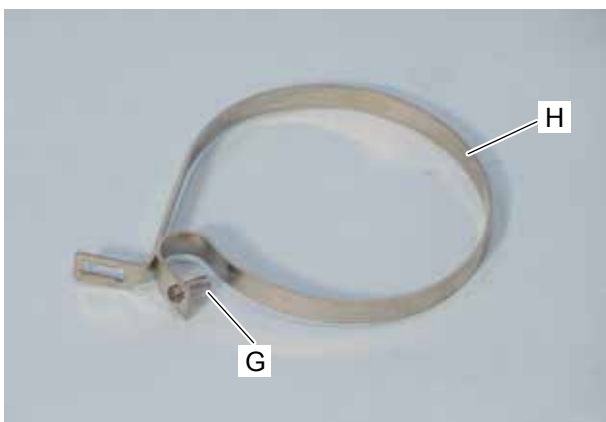
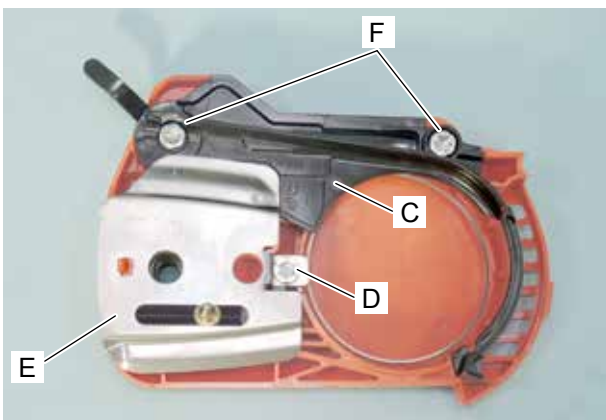
6-2 Inspecting chain brake parts



Released position



Engaging position

**WARNING**  **DANGER**

Wear eye protection and safety gloves when disassembling or assembling chain brake to protect eye and hand from injury.

{Disassembling}

1. Remove sprocket guard.
2. Move brake connector (A) with ring wrench (B) or other suitable tool as shown. And make brake connector engaging position.

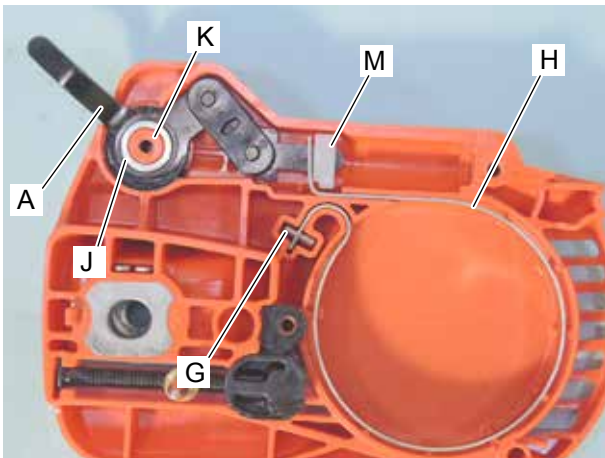
NOTE: Make sure that brake connector (A) is in engaging position before removing brake cover (C), otherwise compression spring may jump out.

3. Remove bolt (D) and sprocket guard plate (E).
4. Loosen two bolts (F) securing brake cover (C) and remove brake cover (C).
5. If blocked with dirt or dust, clean around brake parts. And inspect all the brake parts for damage. Replace with new part(s) as required.

{Assembling}

6. Install pin (G) through hole of brake band (H).

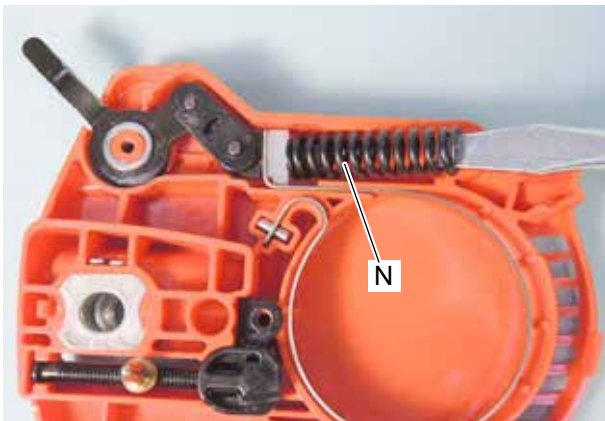
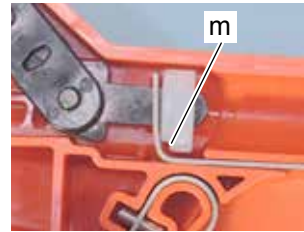
6-2 Inspecting chain brake parts (continued)



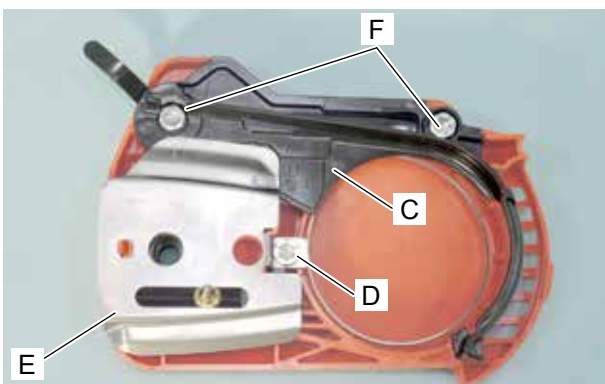
7. Apply molybdenum grease to collar (J). And put collar (J) on boss (K) of sprocket guard.

8. Set brake connector (A), brake band (H) with pin (G) and spacer (M) in sprocket guard as shown .

Note : Make sure notch (m) of spacer (M) places as shown.

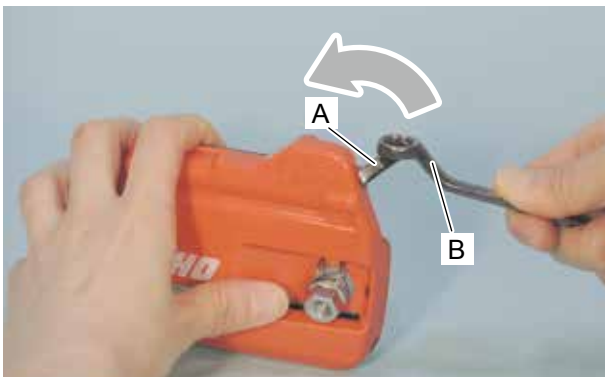


9. Push compression spring (N) with driver or other suitable tool and install compression spring (N) in sprocket guard as shown.



10. Install brake cover (C) and tighten two bolts (F)

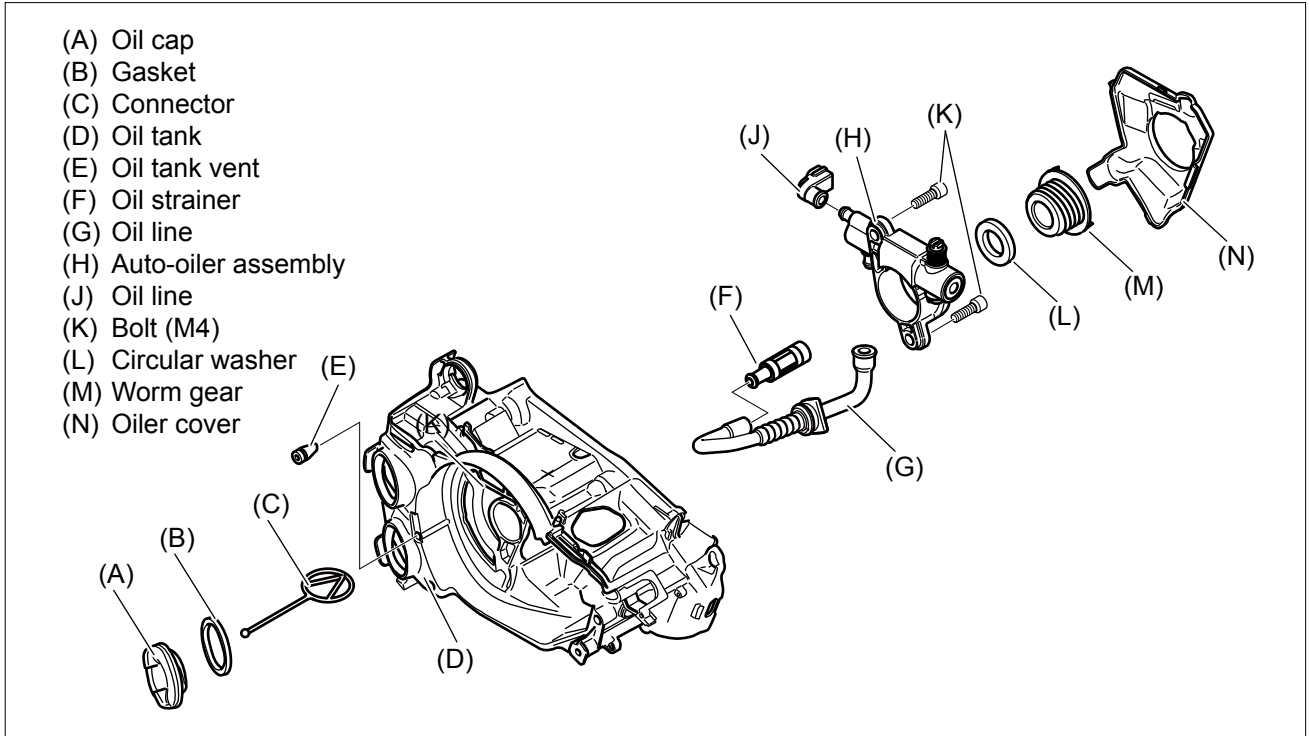
11. Install sprocket guard plate (E) and tighten bolt (D).



12. Move brake connector (A) with ring wrench (B) or other suitable tool to released position as shown.

13. Reassemble removed parts.

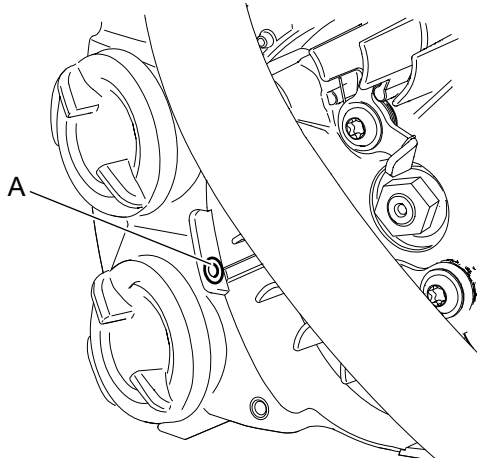
7 SAW CHAIN LUBRICATION SYSTEM



7-1 Inspecting oil cap and strainer

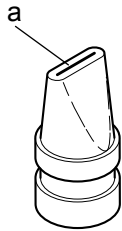
1. Remove oil cap.
2. Inspect oil cap for cracks and gasket (A) for cuts or damage. Replace worn or damaged parts as required.
3. Replace connector (B) if damaged.
4. Pull oil strainer (B) from oil tank using a wire hook (C).
5. Remove oil strainer (B) from oil line (D) and clean oil strainer in suitable solvent, or replace if damaged.

7-2 Inspecting oil tank vent

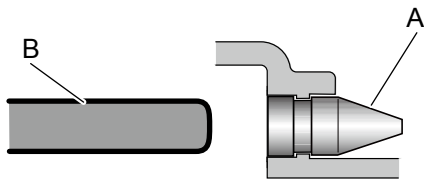


NOTE: Oil tank vent prevents a vacuum from forming in oil tank when chain oil in the tank is consumed.

1. Remove starter assembly.
2. Push oil tank vent (A) into oil tank using suitable tool and take out vent (A) from oil tank.
3. Clean oil tank vent (A).

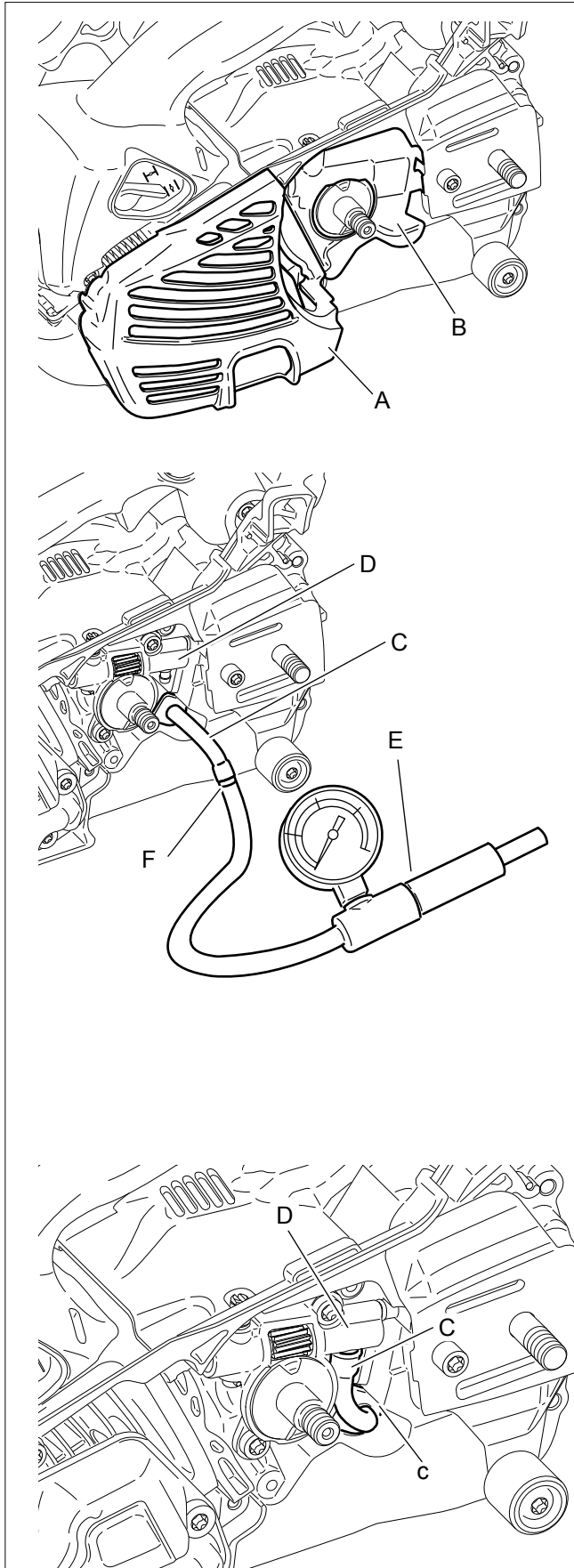


4. Check that oil tank vent lips (a) are not hard or deformed. Replace as required.



4. Install oil tank vent (A) using suitable tool (B) as shown.
5. Reassemble starter assembly.

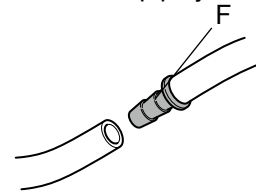
7-3 Inspecting and replacing oil line

**{Inspecting and removing oil line}**

1. Remove sprocket guard, clutch assembly, clutch plate, clutch drum and needle bearing (Refer to “5-1 Inspecting clutch parts.”).
2. Remove two bolts and muffler cover (A).
3. Remove oiler cover (B).

4. Disconnect oil line (C) from auto-oiler assembly (D).
5. Connect pressure tester 89780330133 (E) to oil line (C).

NOTE: To connect pressure tester to oil line (C), it is recommended to use pipe joint V186000020 (F).



6. Tighten oil cap and apply pressure approx. 9.8 kPa (0.1kgf/cm²) (1.4psi).
7. Pressure should not drop. If the pressure drops, leakage may occur at oil line, oil cap, oil cap gasket, oil tank vent, or oil tank. Inspect them and replace defective part(s) with new part(s) as required.

NOTE: Remove oil strainer from oil line (C), before removing oil line (C). (Refer to “7-1 Inspecting oil cap and strainer”)

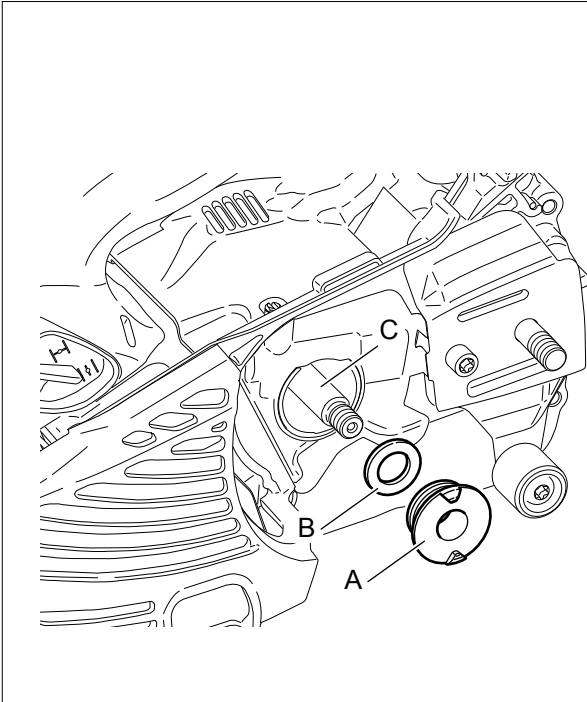
{Installing oil line}

8. Install oil line (C) to oil tank and connect oil line (C) to auto-oiler assembly (D) as shown.

NOTE: Make sure that grommet (c) of oil line (C) is set in engine cover.

9. Reassemble removed parts.

7-4 Inspecting worm gear



1. Remove sprocket guard, clutch assembly, clutch plate, clutch drum and needle bearing (Refer to “5-1 Inspecting clutch parts.”).

2. Remove worm gear (A) and circular washer (B).

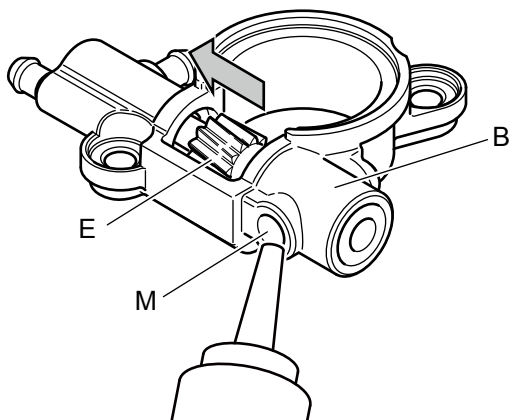
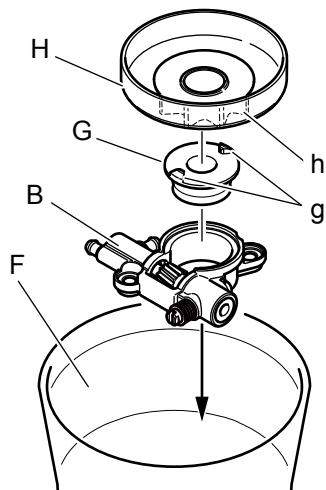
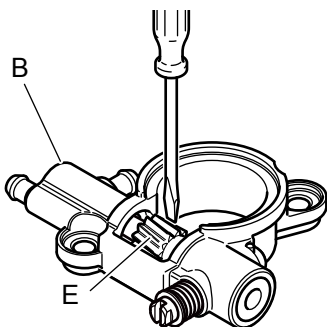
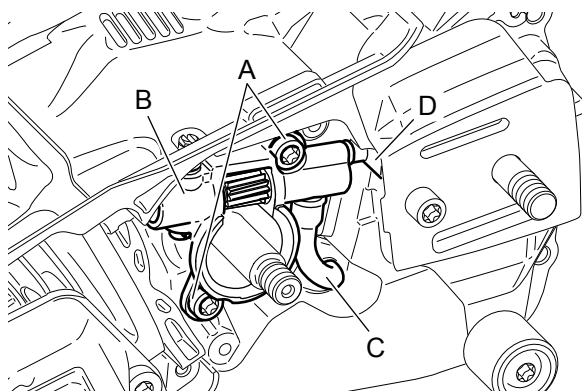
3. Inspect worm gear (A) and circular washer (B) for damage, wear or deformation. Replace with new part(s) as required.

NOTE: If worm gear (A) is damaged, inspect gear of auto-oiler assembly (Refer to “7-5 Cleaning and replacing auto-oiler assembly”), too.

4. Apply lithium-based grease to circular washer (B) and worm gear (A). Reinstall them.

5. Reassemble removed parts (Refer to “5-3 Installing clutch assembly”).

7-5 Cleaning and replacing auto-oiler assembly

**{Cleaning and disassembling}**

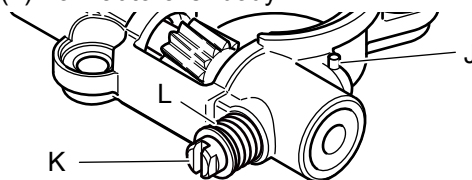
1. Remove sprocket guard, clutch assembly, clutch plate, clutch drum and needle bearing (Refer to "5-1 Inspecting clutch parts.").
2. Remove muffler cover, oiler cover, worm gear and circular washer (Refer to "7-4 Inspecting worm gear").
3. Remove two bolts (A).
4. Remove auto-oiler (B) from oil line (C) and (D).
5. Inspect if plunger gear (E) of auto-oiler (B) is rotated or not, using small flat blade driver or equivalent.
6. When plunger gear (E) can be rotated even though it is not smooth, go to step 7. When plunger gear (E) can not be rotated, go to step 14.

7. Prepare ethanol (F) in container.

8. Install new worm gear (G) to auto-oiler (B). Set clutch drum (H) on worm gear (G) engaging sprocket (h) with two protrusions (g) of worm gear (G).

9. Dip auto-oiler (B) in the ethanol (F) in container and rotate clutch drum (H) until plunger gear (E) rotates smoothly.

10. Pull out spring pin (J) from adjust needle (K) with plier and pull out adjuster needle (K) and spring (L) from auto-oiler body.



11. Hold plunger gear (E) to direction of arrow with finger. And apply grease in plunger hole (M).

12. Insert adjuster needle (K) with spring (L), holding plunger gear (E) to direction of arrow with finger. Reassemble adjuster needle (K) and spring pin as step 28 and 29.

13. Reassemble auto-oiler assembly (B) on the unit as step 31 and 32.

7-5 Cleaning and replacing auto-oiler assembly (continued)

14. When plunger gear (E) cannot be rotated, apply nail-polish remover (N) to plunger gear (E) on auto-oiler (B) and leave it a few minutes.

15. Tap 5-mm (M5 - Pitch 0.8mm) thread in the hole of plug (P).

16. Screw the bolt (Q) of puller Y089000110 or Y089000111 into the hole of plug (P), and connect PTO shaft puller 89760323030 (R) as shown.

17. Hold auto-oiler body by one hand. Hold puller shaft end (r1) by another hand. Hold auto-oiler body upper side and shake the weight (r2) up and down several times to remove the plug (K).

18. Pull out spring pin (J) from adjuster needle (K) with plier.

19. Pull out adjuster needle (K) and spring (L) from auto-oiler body.

20. Remove plunger gear (E), circular washer (R), spring (S) and circular washer (T). Circular washer (R) and (T) are not always come out, because of stuck by chain oil.

21. Clean plunger gear (E), oiler body, oil channels and the other parts using cotton-tipped stick with ethanol or nail-polish remover.

22. Check plunger gear (E) if worn or broken, and spring (S) if fatigued or broken. Replace parts with new one if defective.

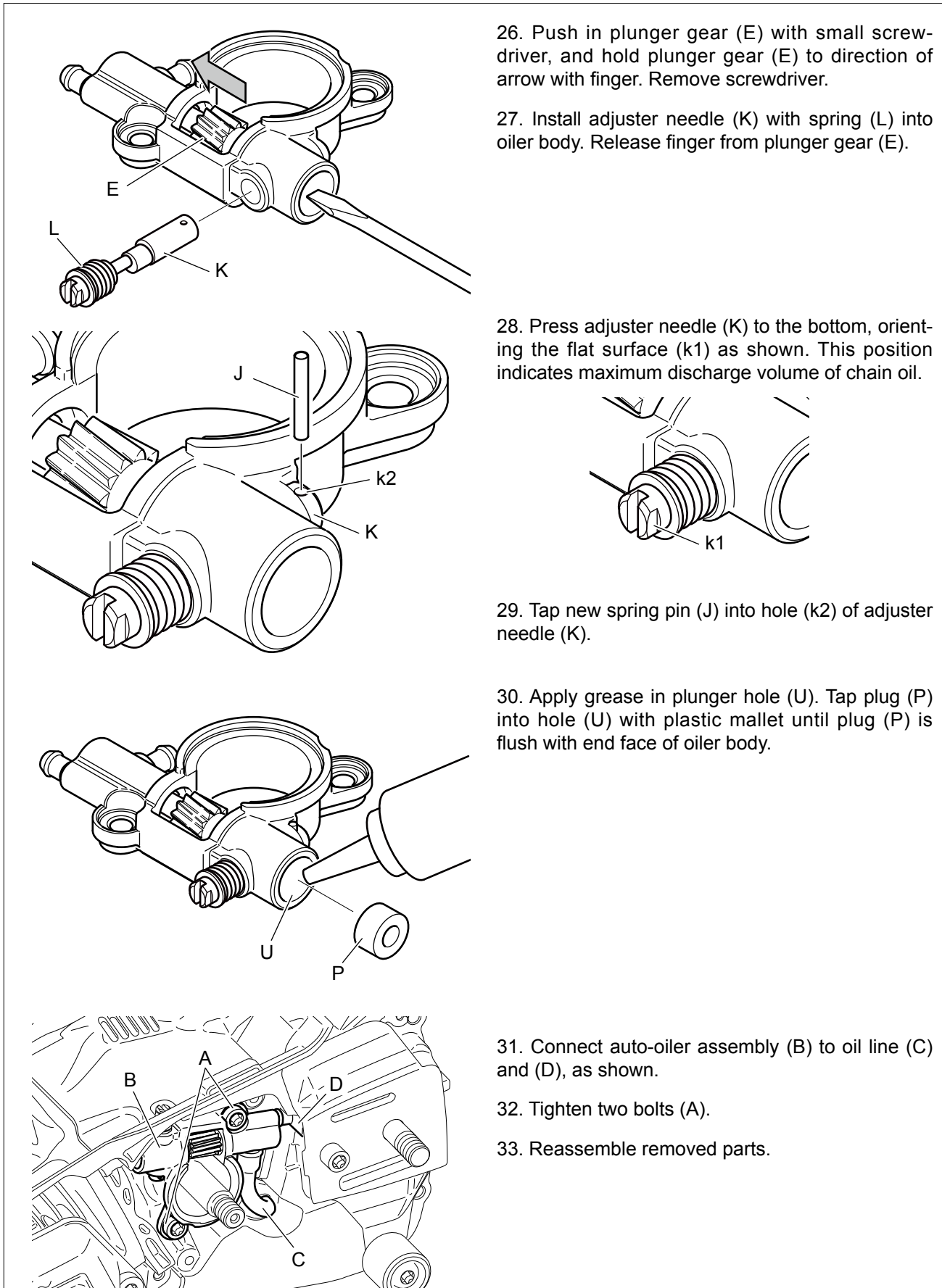
{Assembling}

23. Coat plunger gear (E) with 2 stroke oil.

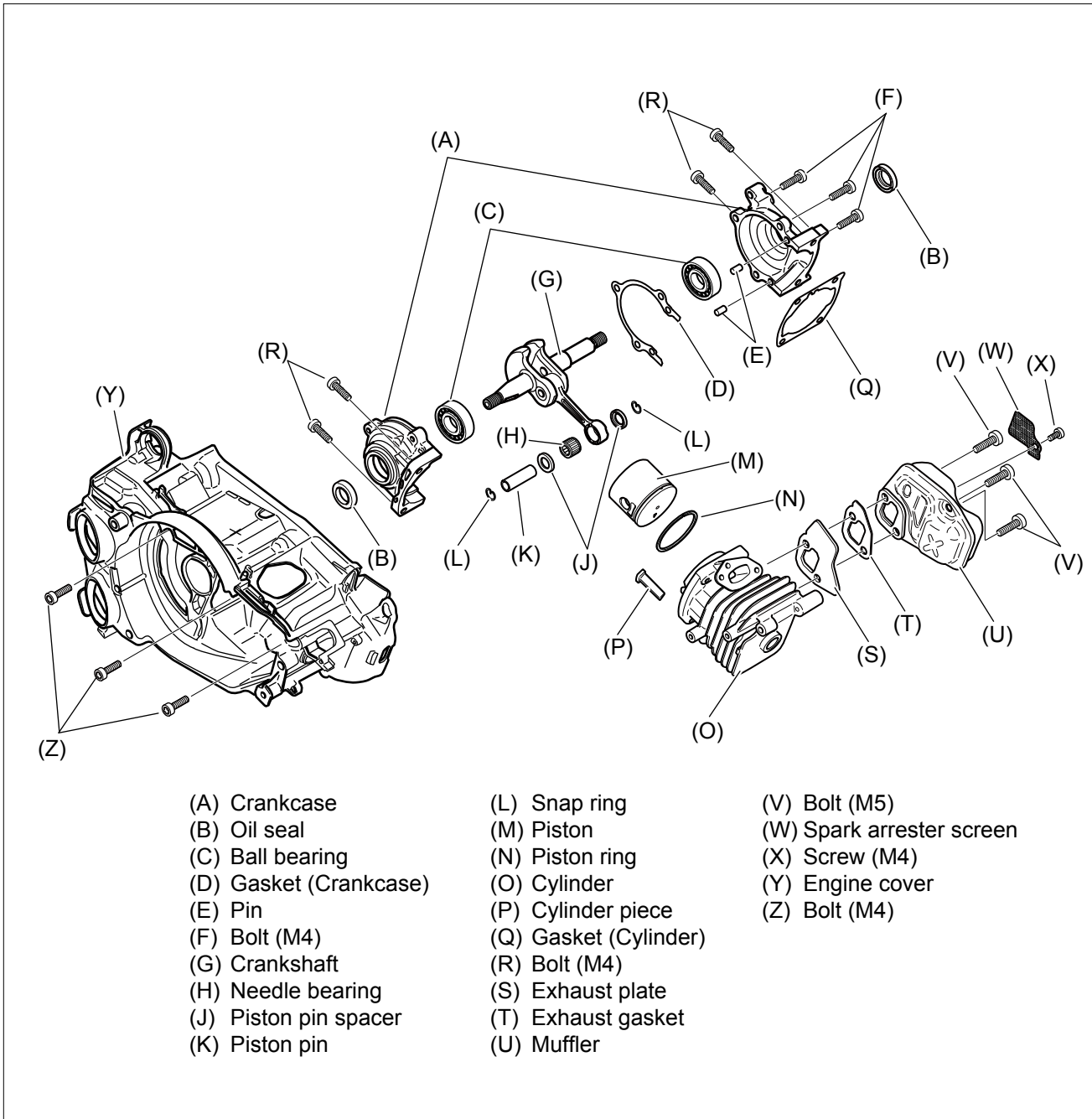
24. Insert circular washer (R) and spring (S) into plunger gear (E).

25. Insert circular washer (T) and plunger gear (E) (with spring (S) and circular washer (R)) into cylinder of auto-oiler body.

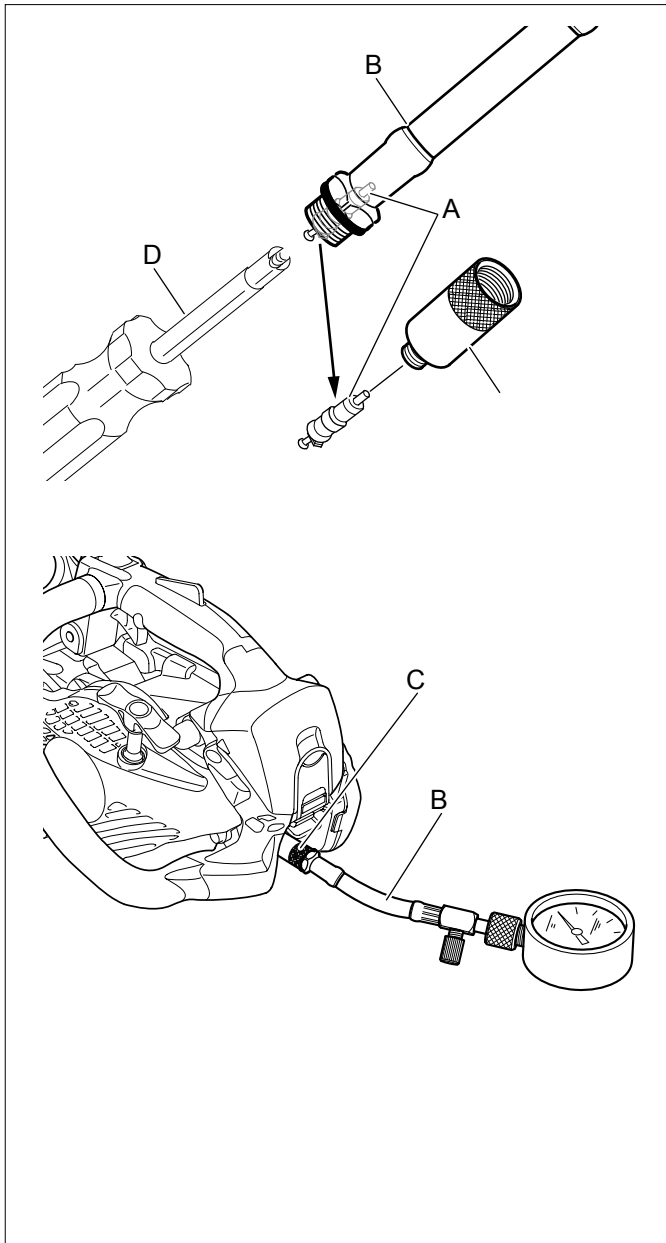
7-5 Cleaning and replacing auto-oiler assembly (continued)



8 ENGINE



8-1 Testing cylinder compression



NOTE: Test cylinder compression when engine is cold.

1. Move ignition switch to STOP position.
2. Open cap cover and remove spark plug (Refer to "3-2 Testing spark").
3. Remove valve core (A) from compression gauge 91037 (B) and insert valve core (A) to adapter X681000000 (C) with valve core driver (D).
4. Connect adapter (C) and compression gauge (B).
5. Install compression gauge (B) with adapter (C) in spark plug hole and tighten by hand. Pull starter several times to stabilize reading on compression gauge.
6. If pressure is lower than approx. 75% of standard compression pressure (Refer to "1-2 Technical data"), inspect cylinder bore, piston and piston ring for wear or damage.
7. If pressure is more than approx. 125% of standard compression pressure, inspect cylinder combustion chamber and exhaust port, piston crown, and muffler for carbon deposits.

NOTE: Compression pressure varies with volume of compression gauge tip occupying cylinder combustion chamber. When you use other than the tool 91037 (B) and adapter X681000000 (C), it is recommended to measure and note compression pressure of brand-new engines as standard pressure in advance.

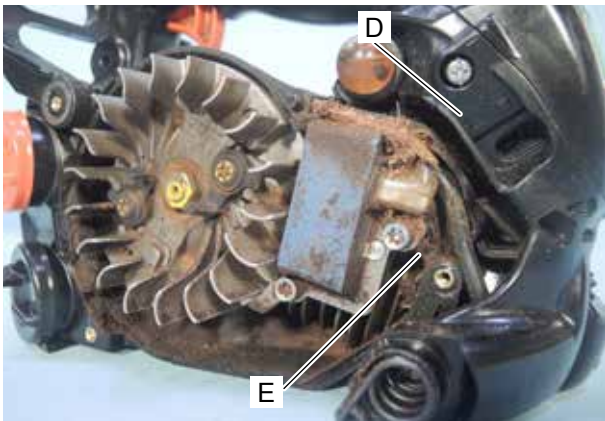
8-2 Cleaning cooling air passages



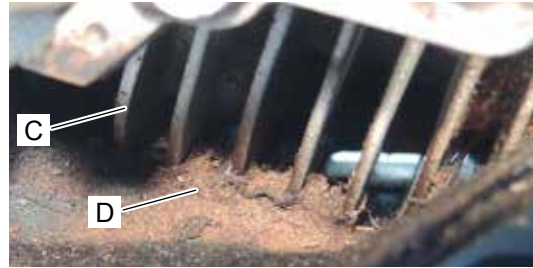
1. Remove starter assembly (A) and fan cover (B).
2. Inspect starter assembly (A) and fan cover (B) for blockage with dirt and/or saw dust. Clean them with wooden or plastic stick or brush or compressed air as required.

WARNING  **DANGER**

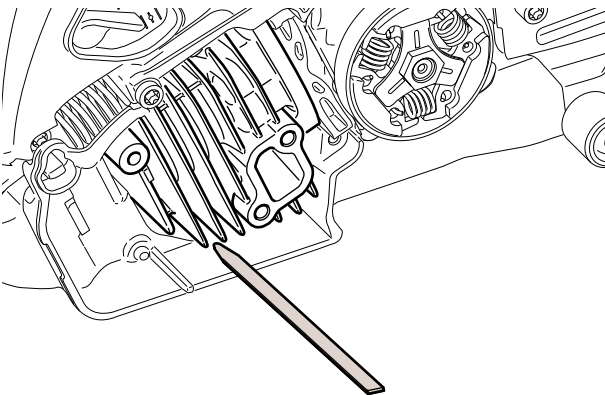
Always wear eye protection when using compressed air for cleaning. Otherwise, eye damage can occur from flying particles.



3. Inspect cylinder cooling fins (C) for blockage with dirt and/or saw dust (D). Clean them with wooden or plastic stick or compressed air as required.

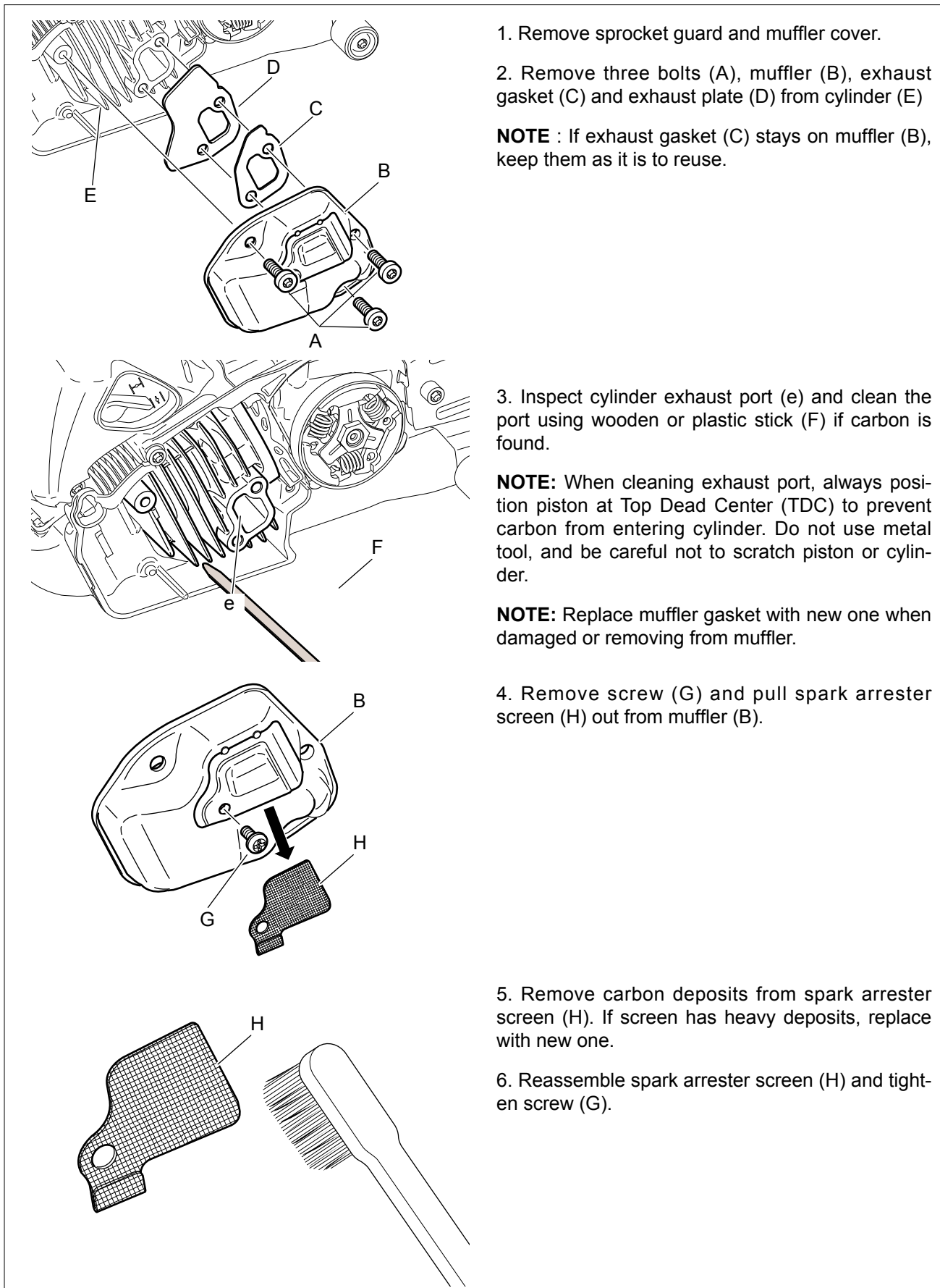


4. Remove ignition coil (E) if cylinder fins are hard to clean. Inspect the clearance of cylinder fins and the clearance between cylinder and engine cover. Clean the clearance using wooden stick or plastic stick or compressed air if dust is found.



5. Remove muffler cover, muffler, exhaust gasket and exhaust plate from cylinder (Refer to "8-3 Inspecting muffler and exhaust port").
6. Inspect the clearance of cylinder fins and the clearance between cylinder and engine cover. Clean the clearance using wooden stick or plastic stick or compressed air if dust is found.

8-3 Inspecting muffler and exhaust port



1. Remove sprocket guard and muffler cover.

2. Remove three bolts (A), muffler (B), exhaust gasket (C) and exhaust plate (D) from cylinder (E)

NOTE : If exhaust gasket (C) stays on muffler (B), keep them as it is to reuse.

3. Inspect cylinder exhaust port (e) and clean the port using wooden or plastic stick (F) if carbon is found.

NOTE: When cleaning exhaust port, always position piston at Top Dead Center (TDC) to prevent carbon from entering cylinder. Do not use metal tool, and be careful not to scratch piston or cylinder.

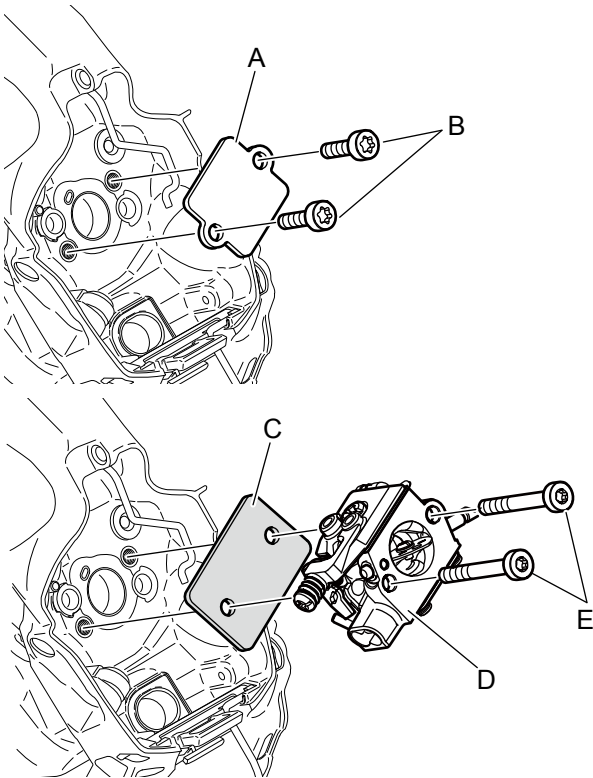
NOTE: Replace muffler gasket with new one when damaged or removing from muffler.

4. Remove screw (G) and pull spark arrester screen (H) out from muffler (B).

5. Remove carbon deposits from spark arrester screen (H). If screen has heavy deposits, replace with new one.

6. Reassemble spark arrester screen (H) and tighten screw (G).

8-4 Testing crankcase and cylinder sealings



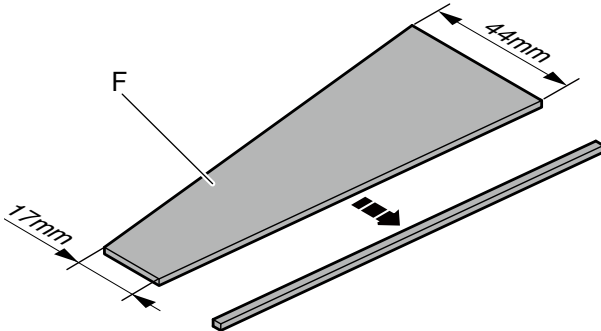
1. Remove air cleaner cover, air filter and carburetor from the unit (Refer to "4-9 Testing carburetor").

2. There are two ways to seal intake port and crankcase pulse passage. Choose convenient one from followings.

Way1 : Install pressure plate 89782716131 (A) and tighten M5 bolts (B) of 8-10 mm (0.3-0.4 in) length.

Way2 : Install pressure rubber plug 89782616131 (C) and carburetor (D) and tighten original bolts (E) for carburetor.

3. To seal exhaust port of cylinder, cut pressure rubber plug 91041 (F) off as shown.



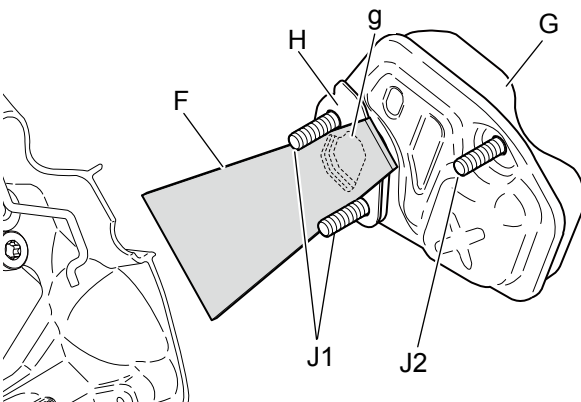
4. Remove exhaust plate and muffler (G) with exhaust gasket (H) (Refer to "8-3 Inspecting muffler and exhaust port").

5. Set pressure rubber plug (F) to muffler (G) with exhaust gasket (H) as shown.

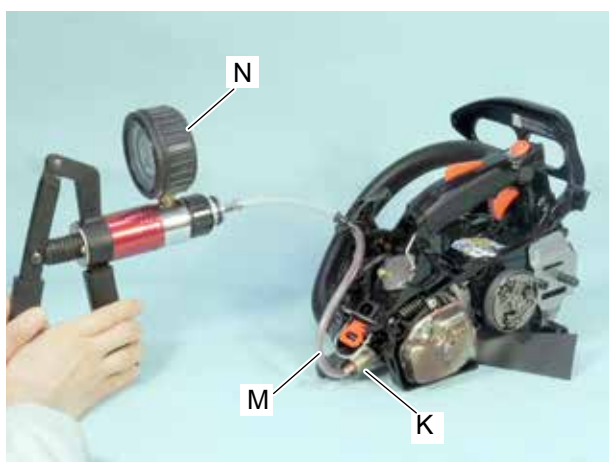
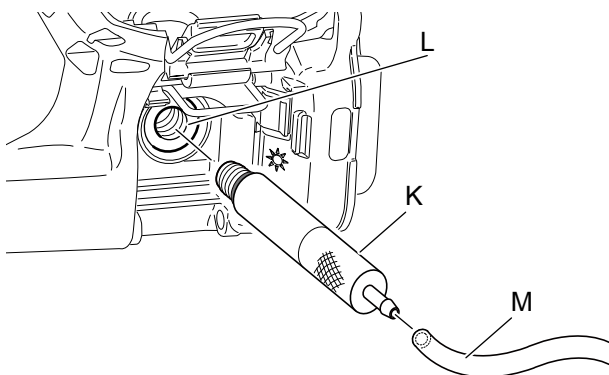
NOTE : Make sure to cover exhaust port (g) of muffler with pressure rubber plug (F).

6. Gently tighten muffler bolts (J1 and J2) until the muffler (G) and pressure rubber plug (F) fit with cylinder. Then turn muffler bolts (J1) 180 degrees clockwise.

NOTE : Do not install exhaust plate. Do not tighten muffler (G) and pressure rubber plug (F) fully, or muffler (G) may be deformed.



8-4 Testing crankcase and cylinder sealings (continued)



7. Open cap cover and remove spark plug.

8. Install pressure connector A131000160 (K) to spark plug hole (L). Connect suitable pipe (inner dia. 4mm) (M) to pressure connector (K).

9. Connect pressure tester 91139 (N) to pipe (M)

10. Apply pressure approx. 50 kPa (0.5 kgf/cm²) (7.3 psi) by pressure tester and leave for 30 seconds.

11. If the reading drops, leakage may occur.

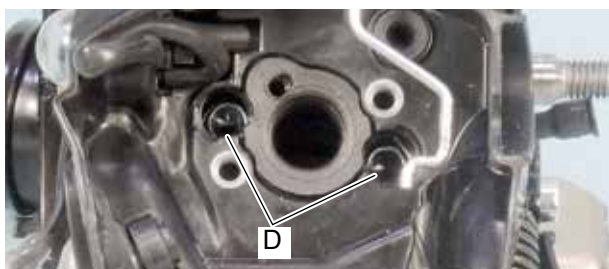
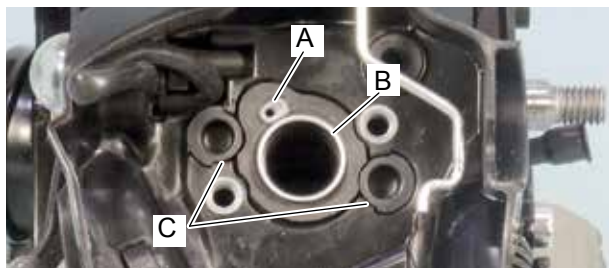
12. Leakage may occur from crankcase seam or oil seal. Use soapy water to locate leakage.

13. Then, apply negative pressure approx. 30 kPa (0.3 kgf/cm²) (4.4 psi) by pressure tester and leave for 30 seconds.

14. If the reading drops, leakage may occur from oil seal. Inspect oil seal for damage or wear.

15. Remove pressure tester (N) and pressure connector (K). Remove muffler (G), pressure rubber plug (F), pressure plate (A) or pressure rubber plug (C).

8-5 Removing engine block



1. Remove spark plug, sprocket guard, muffler cover, clutch parts, oiler cover, worm gear, circular washer, auto-oiler assembly, air cleaner cover, air filter, carburetor, starter assembly, ignition coil and flywheel .

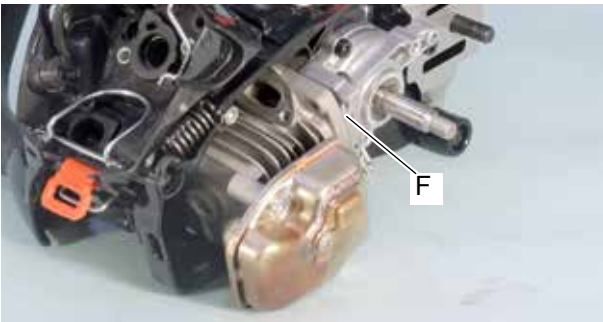
2. Remove collar (A), (B) and two plugs (C).

3. Remove two bolts (D) from intake bellows.

8-5 Removing engine block (continued)

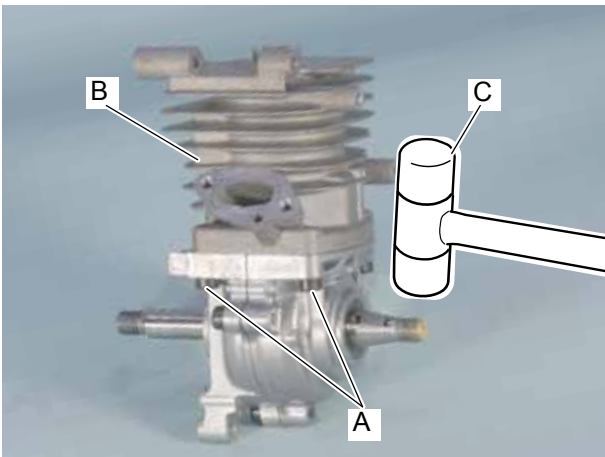


4. Remove three bolts (E) from engine cover.



5. Pull out engine block (F) as shown.

8-6 Inspecting cylinder



1. Remove four bolts (A) securing cylinder (B) and remove cylinder (B).

NOTE : If it's hard to remove cylinder (B), gently tap both crankshaft ends using plastic mallet (C) to remove crankcase assembly with crankshaft and piston assembly, holding cylinder (B).

2. Inspect cylinder combustion chamber and clean with a plastic or wooden scraper if carbon is found.

NOTE: Do not use metal tools, or damage to cylinder wall may result.

3. Inspect cylinder wall and replace with new one if plating is worn, peeled away, scored or exposing cylinder base metal.

8-7 Inspecting piston and piston ring

{Disassembling}

1. Inspect piston ring (A) and replace it if broken, scored, or exceeded service limits (Refer to "1-5 Service limits").
2. Inspect piston crown (B). Clean with fine sand paper, oil stone, and soft cleaning brush (C) if carbon is found.
3. Inspect top land (D), ring groove and skirt (E). Clean them with soft cleaning brush (C), if carbon is found.

NOTE: Do not use square end of broken piston ring when cleaning piston ring groove, otherwise piston ring groove might be damaged.

4. Remove snap rings (F) from both sides of piston pin.
5. Push piston pin (G) out from piston (H).

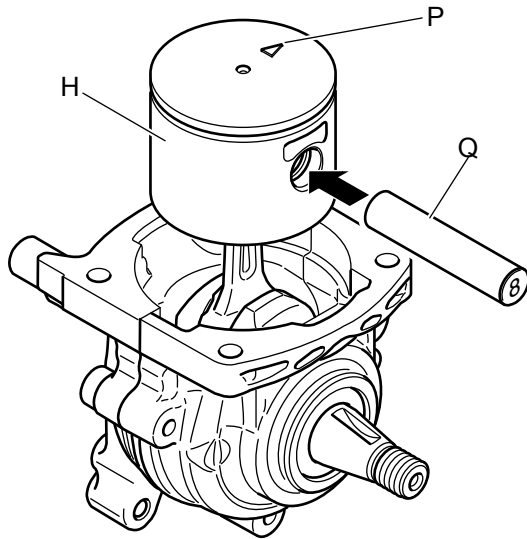
NOTE: If piston pin is tight, use piston pin tool 89770230131 (J) with adapter (K) stamped "8" on an end.

6. Inspect piston pin, needle bearing and piston pin spacers, and replace if wear or discoloration is noted.

{Assembling}

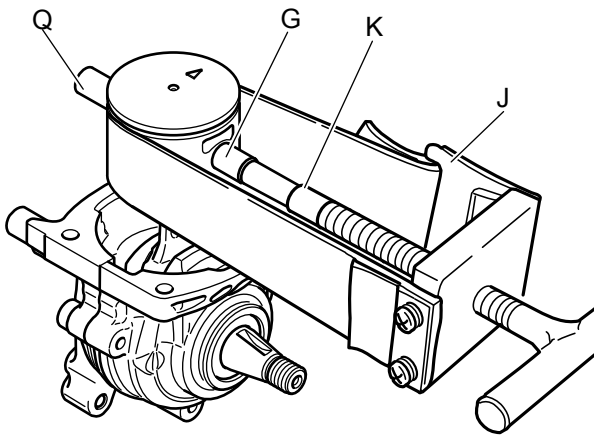
7. Lubricate needle bearing (L) with 2-stroke oil.
8. Set needle bearing (L) and piston pin spacers (M) on small end of connecting rod (N).
9. Place piston (H) over connecting rod (N).

8-7 Inspecting piston and piston ring (continued)



NOTE: Make sure to place piston with piston arrow mark (P) pointing as shown.

10. Insert pin guide tool (Q) stamped "8", through piston (H), with needle bearing (L) and piston pin spacers (M) set at step 9.



11. Insert piston pin (G) in piston (H), pushing out pin guide tool (Q) until the pin end comes up to snap ring groove.

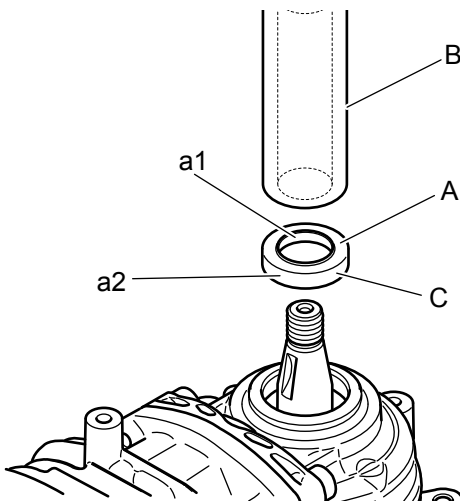
NOTE: If piston pin is tight, use piston pin tool 89770230131 (J) with pusher adapter (K) stamped "8".

12. Install new snap rings on both end of piston pin. Make sure that they are properly seated in snap ring grooves.

NOTE: Always use new snap rings.

13. Install piston ring on piston.

8-8 Replacing oil seal



1. Pry defective oil seal from crankcase.

NOTE: Be careful not to damage crankshaft and oil seal housing.

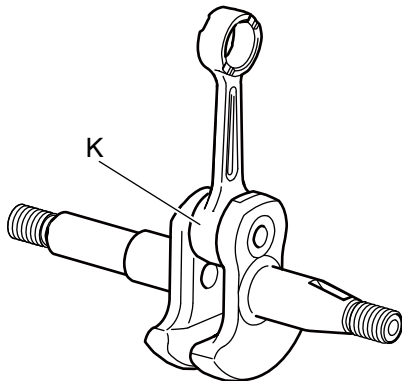
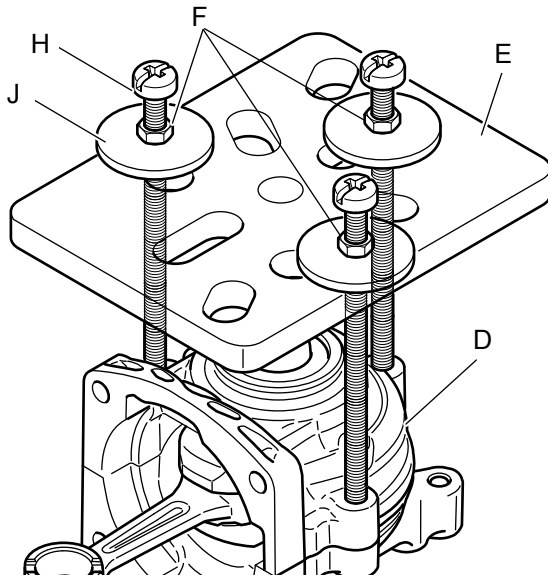
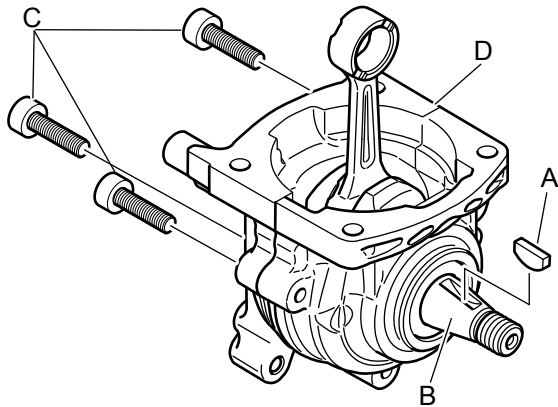
NOTE: Before removing flywheel side oil seal, remove woodruff key.

2. Apply lithium based grease on inner rubber lips (a1) of new oil seal (A).

3. Lubricate circumferences (a2) of new oil seal with 2-stroke oil.

4. Push in new oil seal (A) until flush with crankcase surface using oil seal tool 89772609130 (B).

8-9 Inspecting crankcase and crankshaft



1. Remove cylinder, gasket and piston.
2. Remove woodruff key (A) from crankshaft flywheel end (B).
3. Remove three bolts (C) from crankcase assembly (D).

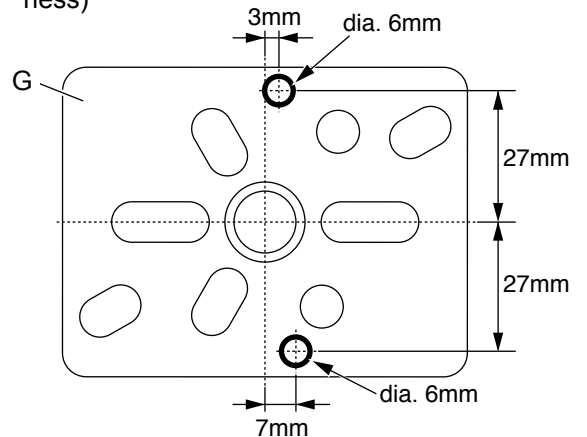
4. Set puller Y089000111 (E) on crankcase assembly (D) as shown.

5. Tighten three nuts (F) on the puller (E) alternately to remove crankcase.

6. Remove another crankcase half in the same ways.

NOTE : If puller Y089000111 (E) is not available, you can use puller Y089000110 (G) prepared as follows.

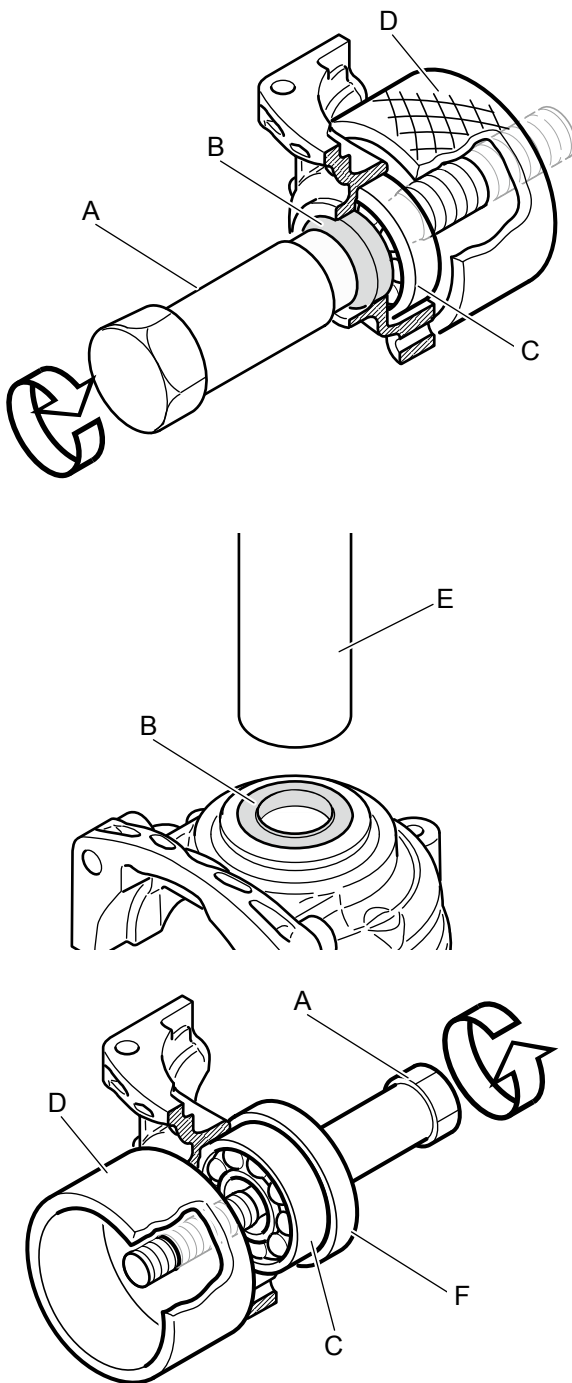
- (1) Drill two 6mm dia holes on puller Y089000110 (G) as below.
- (2) Three screws or bolts 9131104075 (H) (size: M4x75mm length, pitch 0.7mm)
- (3) Three nuts 90050000004 (F) (size : M4, pitch 0.7mm)
- (4) Three circular washers 17721403930 (J) (size : inner dia.4.5 x outer dia.16.5 x 1.0mm thickness)



7. Clean the inside of crankcase. Replace with new one if damaged.

8. Measure crankshaft runout and replace if it exceeds service limits (Refer to "1-5"). Inspect connecting rod big end (K) for discoloration or needle bearing damage. Replace crankshaft assembly with new one as required.

8-10 Replacing oil seal and ball bearing

**{Disassembling}**

1. After disassembling crankshaft, check ball bearing for smooth rotation. If rough, replace it (them) with new one.

NOTE: At the same time, replace oil seal with new one.

2. Remove ball bearing (C) from crankcase half using bearing tool 89770114732 as follows.

3. Set shaft (A) through oil seal (B) and ball bearing (C) with boss (D) as shown.

4. Tighten shaft (A) with wrench to remove ball bearing (C). Oil seal (B) remains in crankcase bore.

5. Push out oil seal (B) with using oil seal tool 89772609130 (E)

{Assembling}

6. Set new ball bearing (C) with shaft (A), adapter (F) (inner dia. 15 mm, outer dia. 40 mm) and boss (D).

NOTE: Set adapter (F) mating full flat side to ball bearing.

7. Tighten shaft (A) with wrench to press ball bearing into the crankcase half until flush.

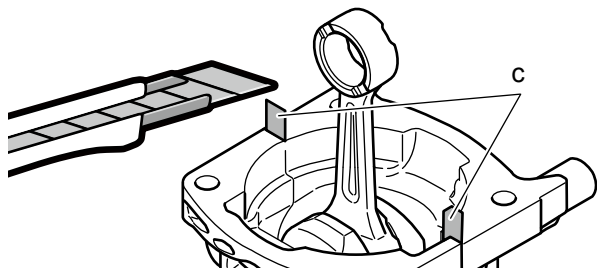
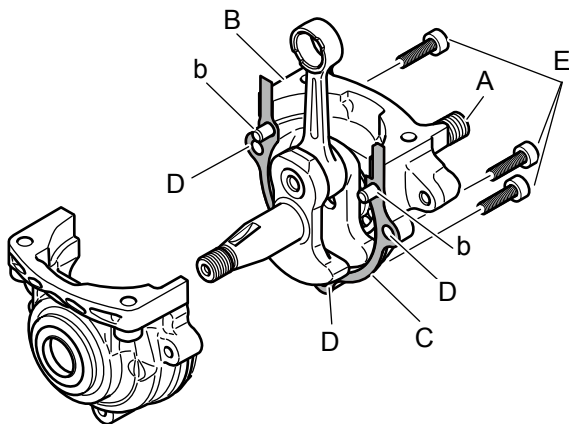
8. Check that bearing rotates smoothly.

9. Apply lithium based grease on inner rubber lips of new oil seal (A).

10. Lubricate circumferences of new oil seal with 2-stroke oil.

11. Push in new oil seal (B) until flush with crankcase surface using oil seal tool 89772609130 (E).

8-11 Assembling crankshaft and crankcase



1. Clean mating surface of each crankcase half.
2. Heat ball bearing for easier installation. Then insert crankshaft clutch end (A) into clutch side crankcase half (B) until properly seated.

WARNING  **DANGER**

When using a heat gun, wear gloves. Otherwise, a burn will result.

3. Put new crankcase gasket (C) on clutch side crankcase half (B).

NOTE: Make sure to match hole position (D) of crankcase gasket (C) and clutch side crankcase half (B).

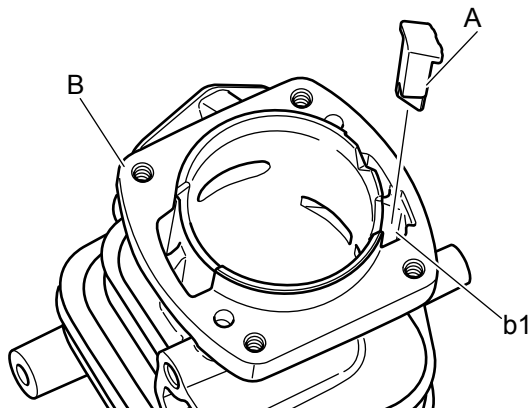
4. Reassemble both crankcase halves together ensuring that dowel pins (b) on clutch side crankcase half (B) are properly seated in holes on the other half.

5. Tighten three bolts (E) diagonally to secure crankcase halves together, and check crankshaft for smooth rotation.

NOTE: If crankshaft doesn't rotate smoothly, tap both ends of crankshaft with plastic mallet several times. And recheck crankshaft for smooth rotation.

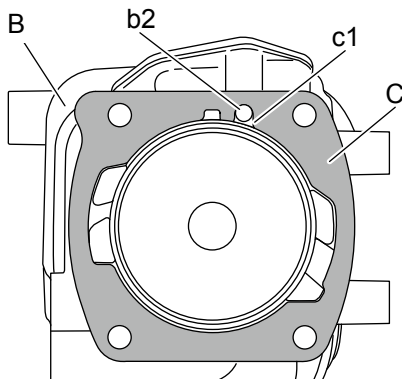
6. Carefully remove excess portion (c) of crankcase gasket (C) with sharp knife.

8-12 Installing piston ring and cylinder

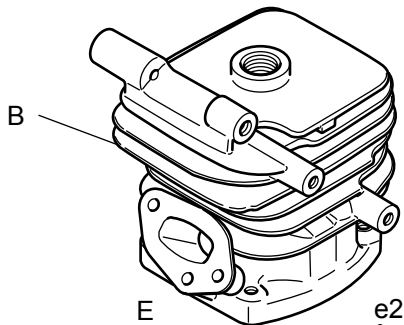


1. Completely remove gasket residue on mating surfaces of cylinder and crankcase.

2. If cylinder piece (A) came off from cylinder (B), reinstall it (A) to starter side scavenging port (b1) of cylinder as shown.

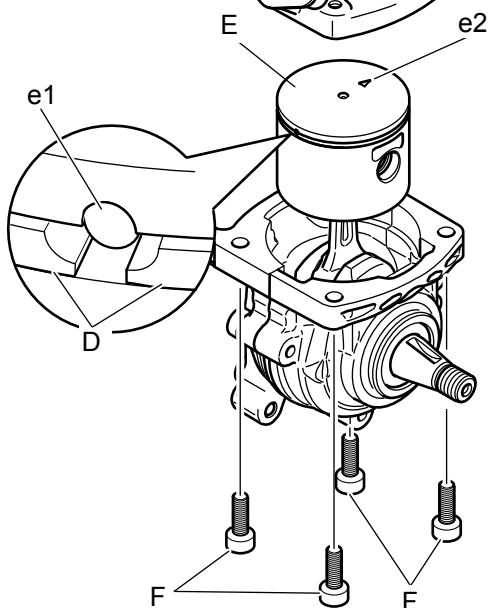


3. Set new cylinder gasket (C) on cylinder (B), as notch (c1) of gasket (C) aligns pulse hole (b2).



4. Install piston ring (D) on piston (E), ensuring the end gaps of piston ring are properly positioned around locating pin (e1) as shown.

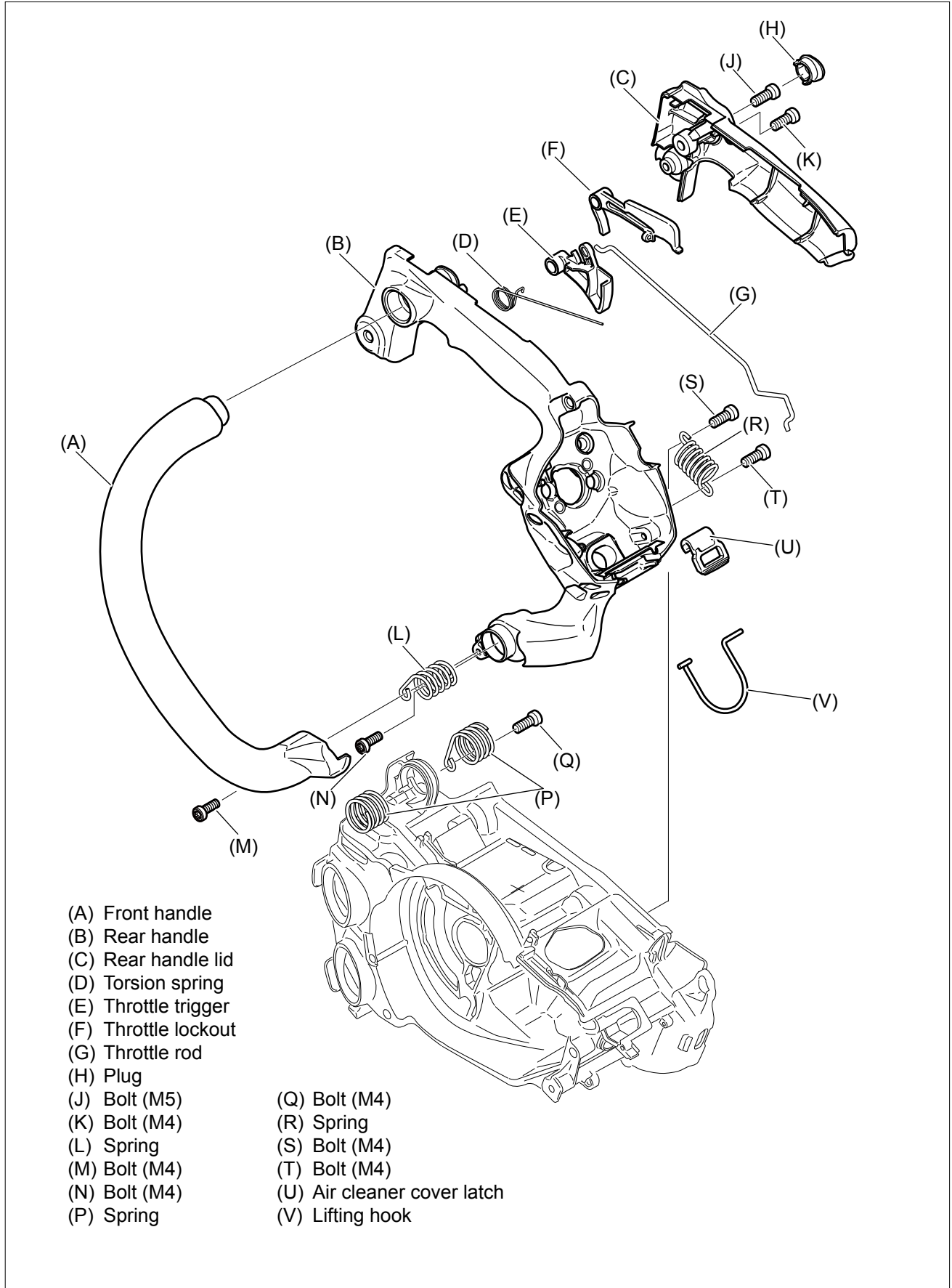
5. Apply oil to piston ring (D) and internal wall of cylinder (B).



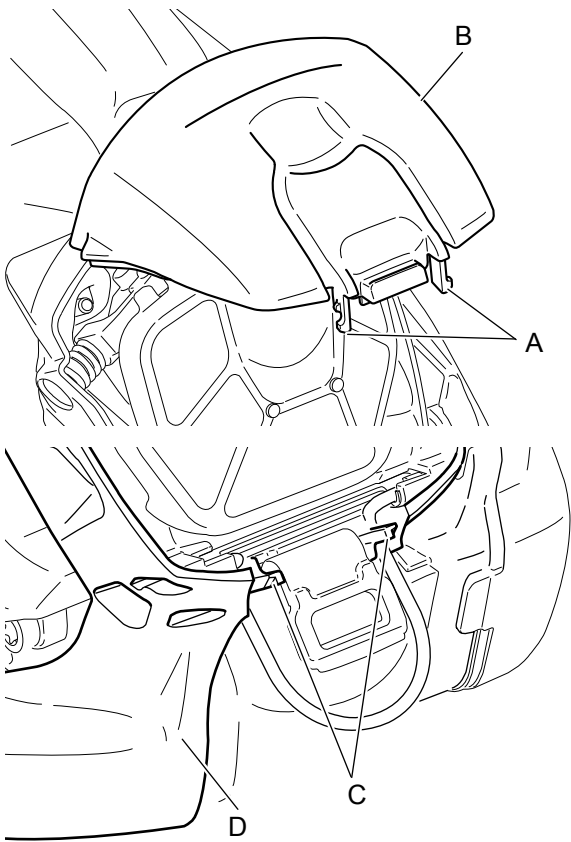
6. Install piston (E) in cylinder (B) with arrow (e2) pointing as shown.

7. Fasten four bolts (F)

9 HANDLE AND CONTROL SYSTEM



9-1 Replacing lifting hook



NOTE: Before replacing lifting hook, inspect air cleaner cover, lifting hook bracket and rear handle. Replace them if broken or damaged.

{Inspecting air cleaner cover}

1. Turn lifting hook down to the end.
2. Unlatch air cleaner cover latch with screw driver or equivalent.
3. Turn up air cleaner cover and inspect guide rib part (A) on air cleaner cover (B) and replace it with new one if broken or deformed.

{Inspecting rear handle}

4. Inspect hook guide area (C) on rear handle (D) and replace it if broken or deformed. (Refer to “9-4 Replacing rear handle and springs”)

{Inspecting lifting hook bracket}

5. Lifting hook bracket (E) is installed rear handle (D) as shown. If the following defects are found, reinstall it or replace with new one.

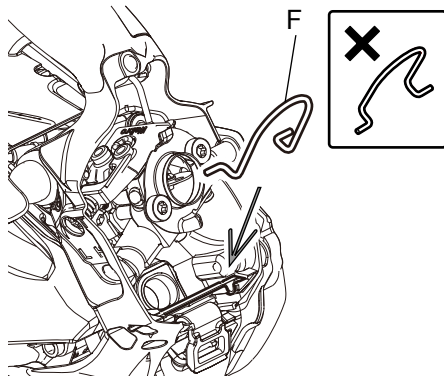
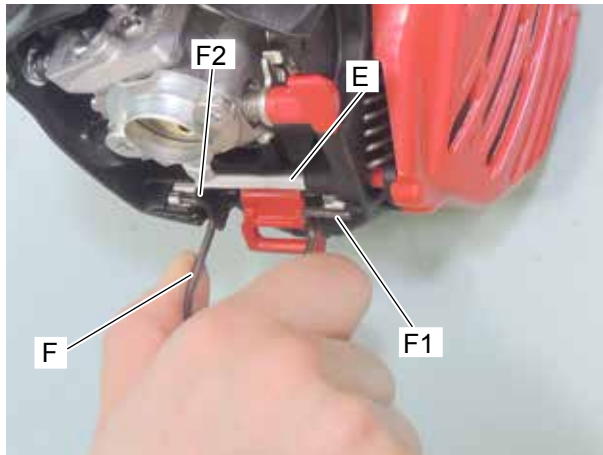
(1) When lifting hook bracket (E) was broken, deformed or pulled out easily by fingers, replace lifting hook bracket and rear handle with new one. (Refer to “9-4 Replacing rear handle and springs”).

NOTE: Lifting hook bracket is supplied along with rear handle. They are not supplied separately.

(2) When ends of lifting hook bracket (E) were installed incorrectly as shown in “Defect”, push both end of lifting hook bracket (E) into rear handle until click sound is heard.

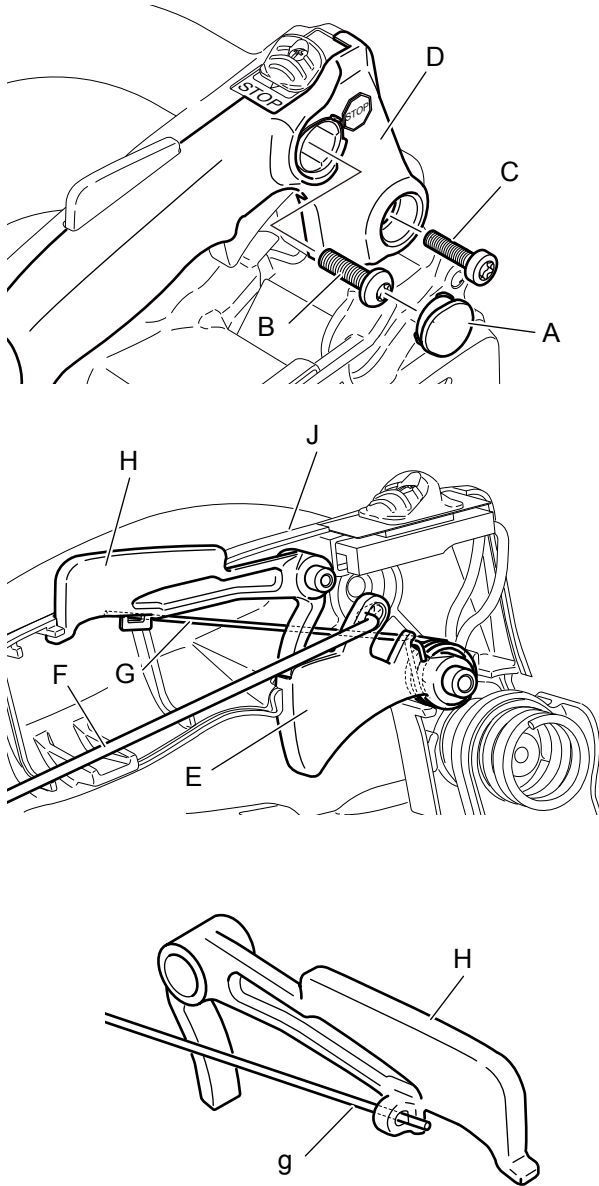


9-1 Replacing lifting hook (continued)

**{Replacing lifting hook}**

1. Pinch lifting hook (F) and remove clutch side hook end (F1) on lifting hook (F) from lifting hook bracket (E) pushing lifting hook (F) to starter side.
2. Remove starter side hook end (F2) on lifting hook (F) from lifting hook bracket (E).
3. Insert starter side hook (F2) on new lifting hook (F) to lifting hook bracket (E).
4. Insert clutch side hook (F1) on lifting hook (F) to lifting hook bracket (E) pushing lifting hook (E) to starter side.
5. Install air filter and air cleaner cover.

9-2 Replacing throttle control parts

**{Disassembling}**

1. Remove starter assembly, sprocket guard, chain catcher, sprocket guard plate, brake lever. (Refer to "6-1 Replacing brake lever and torsion spring")

2. Remove plug (A) and bolt (B).

NOTE : If throttle rod prohibits removing bolt (B), pull throttle trigger downward to move throttle rod.

3. Remove bolt (C) and rear handle lid (D).

4. Remove throttle trigger (E) with throttle rod (F), torsion spring (G), and throttle lockout (H) from rear handle (J).

5. Remove air cleaner cover, air filter, and carburetor elbow (Refer to "4-1 Inspecting air filter").

6. Disconnect throttle rod (F) from carburetor.

7. Check throttle control parts and replace defective part(s) with new one as required.

{Assembling}

8. Insert throttle rod (F) to rear handle (J) and connect throttle rod (F) to carburetor (Refer to "4-15 Installing carburetor").

9. Insert throttle rod (F) to hole of throttle trigger (E).

10. Assemble throttle trigger (E) together with torsion spring (G) on rear handle (J).

11. Insert torsion spring end (g) to hole of throttle lockout (H) as shown.

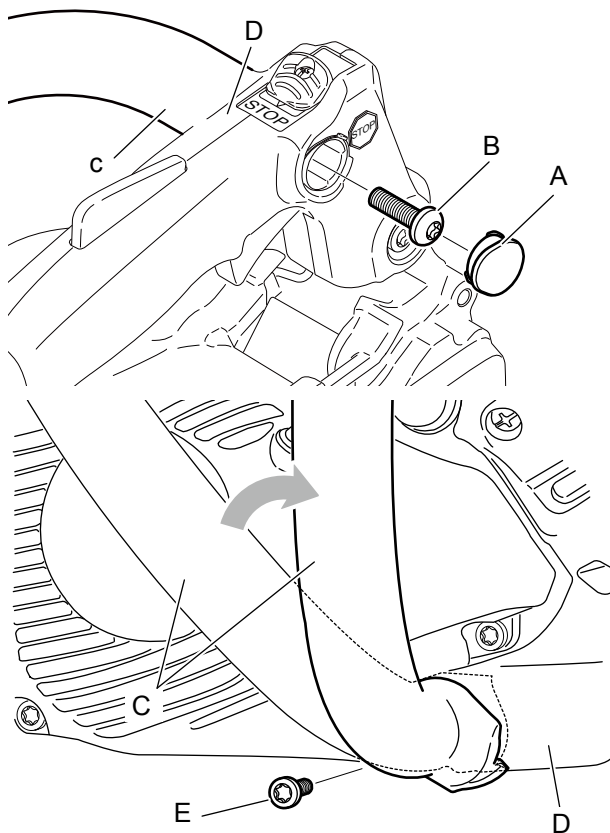
12. Assemble throttle lockout (H) with torsion spring (G) on rear handle (J).

13. Assemble rear handle lid (D) (Refer to section 23 and 24 of "9-4 Replacing rear handle and springs") and tighten bolt (B) and (C). Install plug (A) on rear handle lid (D).

NOTE : If throttle rod prohibits installing bolt (B), pull throttle trigger downward to move throttle rod.

14. Assemble removed parts.

9-3 Replacing front handle and spring

**{Disassembling}**

1. Remove plug (A) and screw (B).

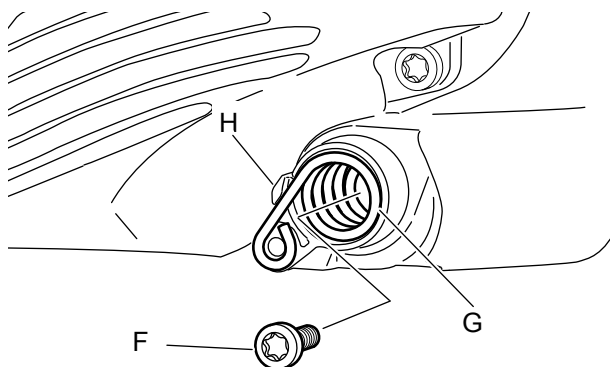
NOTE : If throttle rod is placed over the bolt (B), pull throttle trigger downward.

2. Disconnect front side (c) of front handle (C) from rear handle (D).

3. Remove bolt (E).

4. Turn front handle (C) as shown and remove it from rear handle (D).

5. Remove bolt (F) and spring (G)

**{Assembling}**

6. Install spring (G) to rear handle (D) and tighten screw (F) as shown.

NOTE : Make sure to set spring (G) inside projection (H)

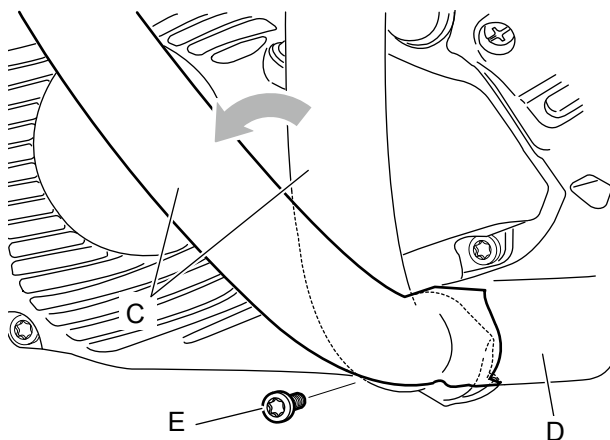
7. Install front handle (C) to rear handle (D) and turn as shown.

8. Insert front side (c) of front handle (C) to rear handle (D).

9. Tighten bolt (E) and (B).

NOTE : If throttle rod is placed over the boss for bolt (B), pull throttle trigger downward.

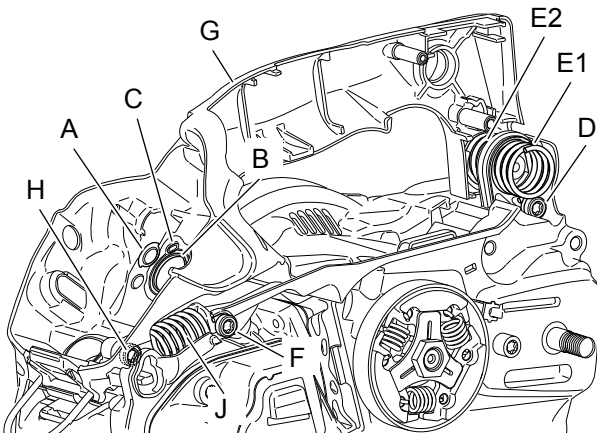
10. Install plug (A) to rear handle (D).



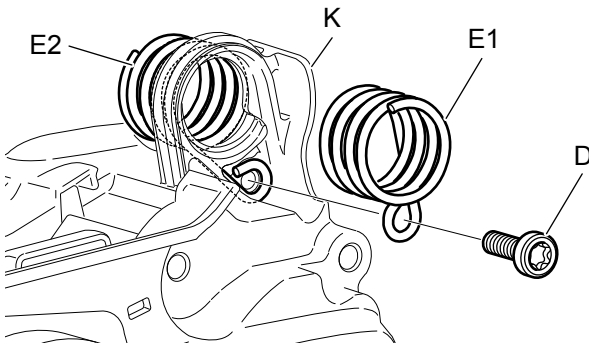
9-4 Replacing rear handle and springs

{Disassembling}

1. Remove starter assembly, sprocket guard, muffler cover, chain catcher, sprocket guard plate, and brake lever (Refer to "6-1 Replacing brake lever and torsion spring").
2. Remove rear handle lid and throttle control parts (Refer to "9-2 Replacing throttle control parts").
3. Remove front handle and spring (Refer to "9-3 Replacing front handle and spring").
4. Remove air cleaner cover and air filter (Refer to "4-1 Inspecting air filter").
5. Remove carburetor (Refer to "4-8 Testing carburetor"), two plugs (A), collar (B) and (C) inserted intake bellows.
6. Remove purge bulb and fuel line assembled rear handle (Refer to "4-6 Replacing purge bulb" and "4-7 Replacing fuel line and fuel return line").



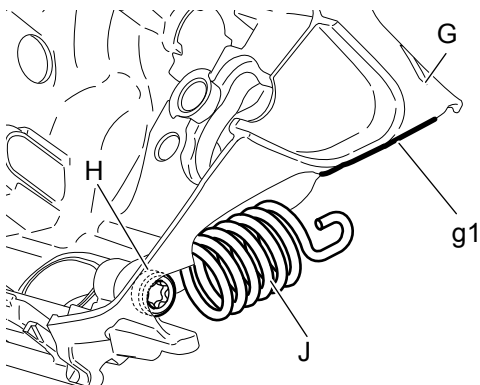
7. Remove bolt (D) and spring (E1).
8. Remove bolt (F)
9. Remove rear handle (G) and spring (E2) from unit.
10. Remove bolt (H) and spring (J) from rear handle (G)
11. Check rear handle and springs and replace defective part(s) with new one as required.



{Assembling}

12. Install spring (E2) to engine cover (K) as shown.
13. Install spring (E1) as shown and tighten bolt (D).

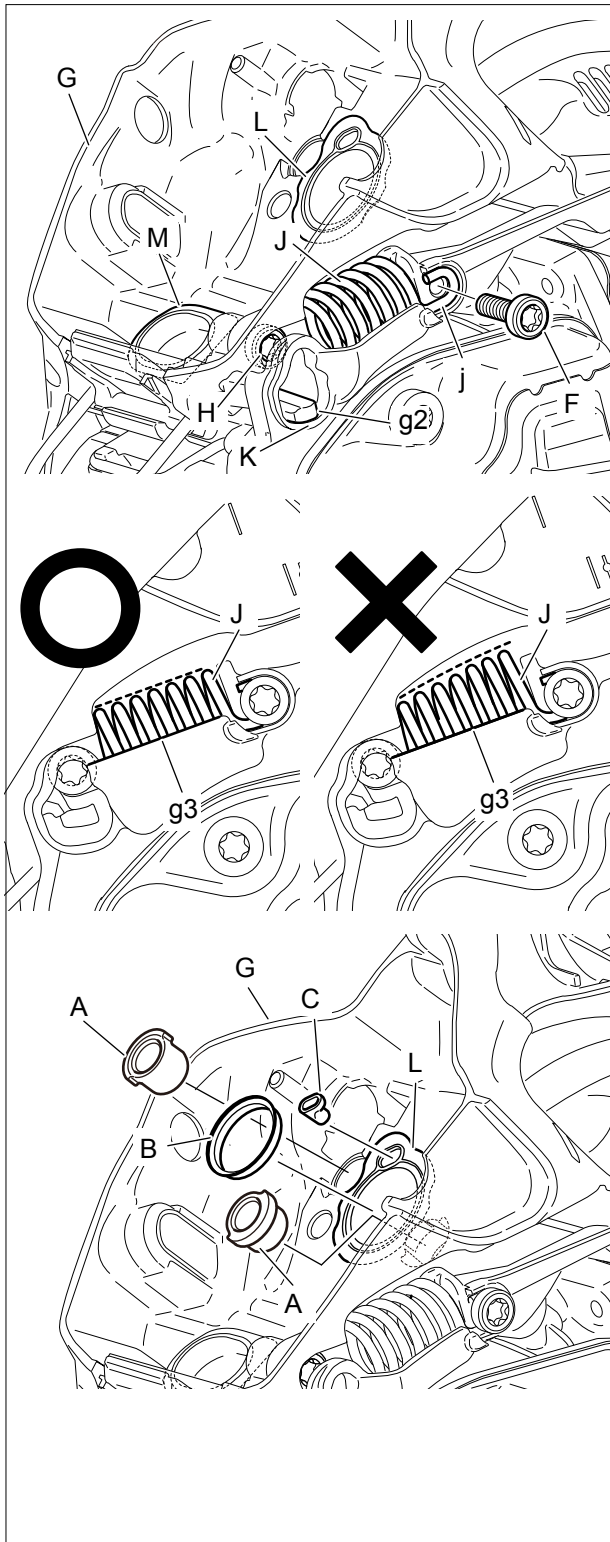
NOTE : Spring (E1) and (E2) are the same.



14. Install spring (J) to rear handle (G) and lightly tighten bolt (H).

NOTE : Make sure spring (J) is installed parallel to line (g1) of rear handle (G).

9-4 Replacing rear handle and springs (continued)



15. Assemble rear handle (G) to unit.

NOTE : Make sure to install intake bellows (L) and intake pipe (M) to rear handle (G).

16. Set hook (j) of spring (J) in rib of engine cover and lightly tighten (F) as shown.

17. Pushing down rear handle (G) by hand so that boss (g2) of rear handle (G) touches engine cover (K) as shown, tighten bolt (H), then bolt (F).

NOTE : Make sure spring (J) is installed parallel to line (g3) of rear handle (G). If spring (J) is in an upward direction, loosen bolts and retighten them.

18. Insert two plugs (A) to rear handle (G).

19. Insert collar (B) and (C) to intake bellows (L).

20. Assemble front handle and spring (Refer to "9-3 Replacing front handle and spring").

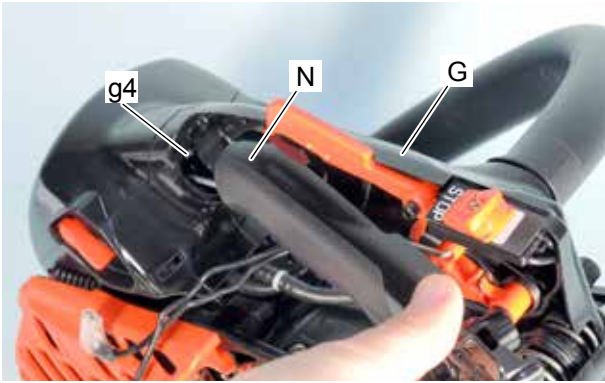
21. Assemble purge bulb and fuel line (Refer to "4-6 Replacing purge bulb" and "4-7 Replacing fuel line and fuel return line").

22. Assemble carburetor (Refer to "4-15 Installing carburetor")

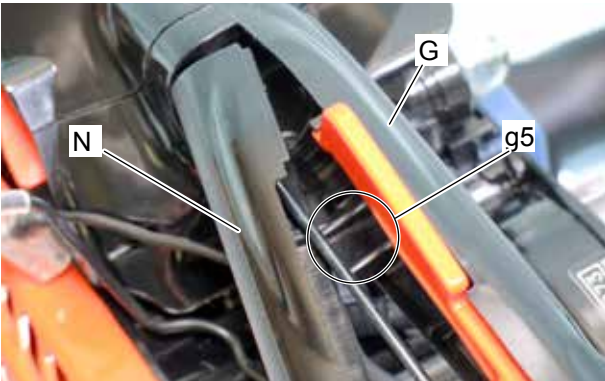
23. Assemble throttle control parts (Refer to "9-2 Replacing throttle control parts").

24. Pass switch leads through rear handle (Refer to "3-6 Replacing ignition switch").

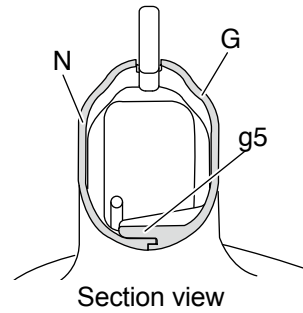
9-4 Replacing rear handle and springs (continued)



25. Insert rear part of rear handle lid (N) to hole (g4) on rear handle (G) as shown.

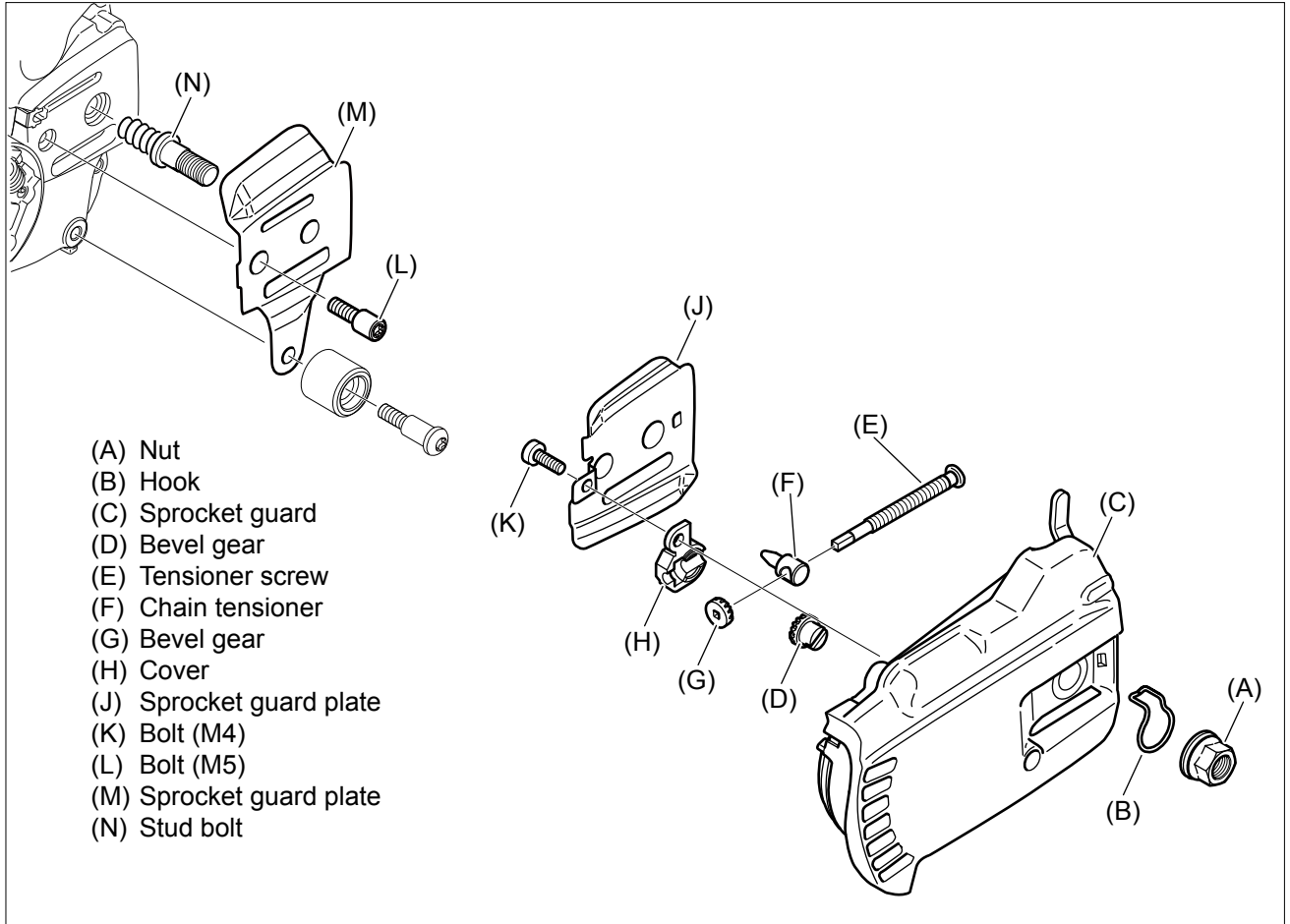


26. Assemble rear handle lid (N) as rib (g5) on rear handle (G) enters into rear handle lid (N)

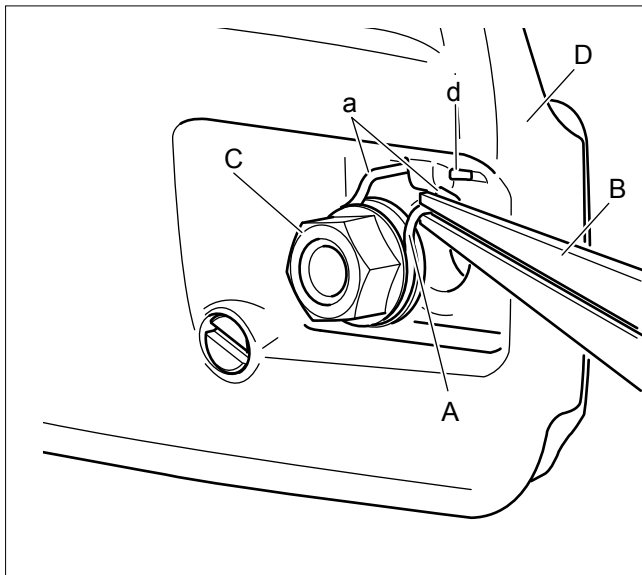


27. Assemble removed parts.

10 GUIDE BAR MOUNTING SYSTEM



10-1 Replacing nut for fixing guide bar



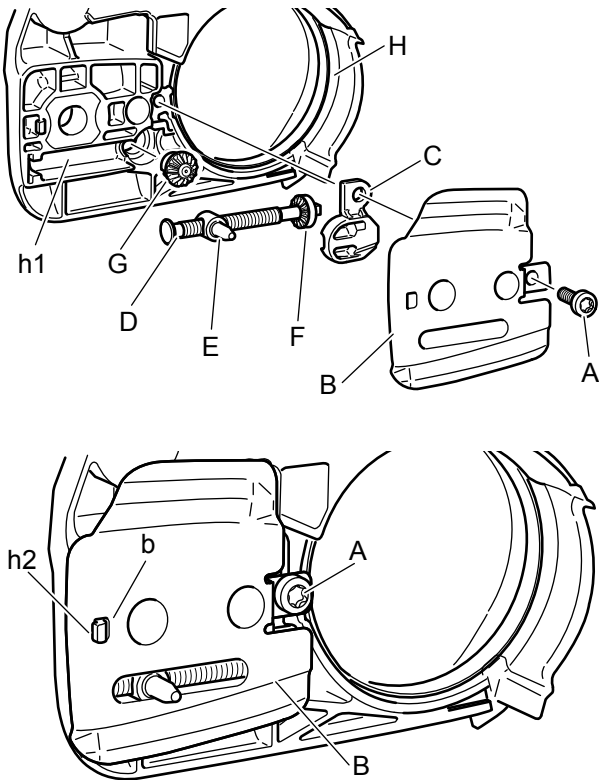
{Disassembling}

1. Pinch hook (A) with pliers (B) and remove hook (A) and nut (C) from sprocket guard (D).
2. Remove nut (C) from hook (A).
3. Check removed parts and replace defective parts with new one as required.

{Assembling}

4. Assemble nut (C) and hook (A).
5. Insert both ends (a) of hook (A) in holes (d) of sprocket guard (D).

10-2 Replacing chain tensioner

**{Disassembling}**

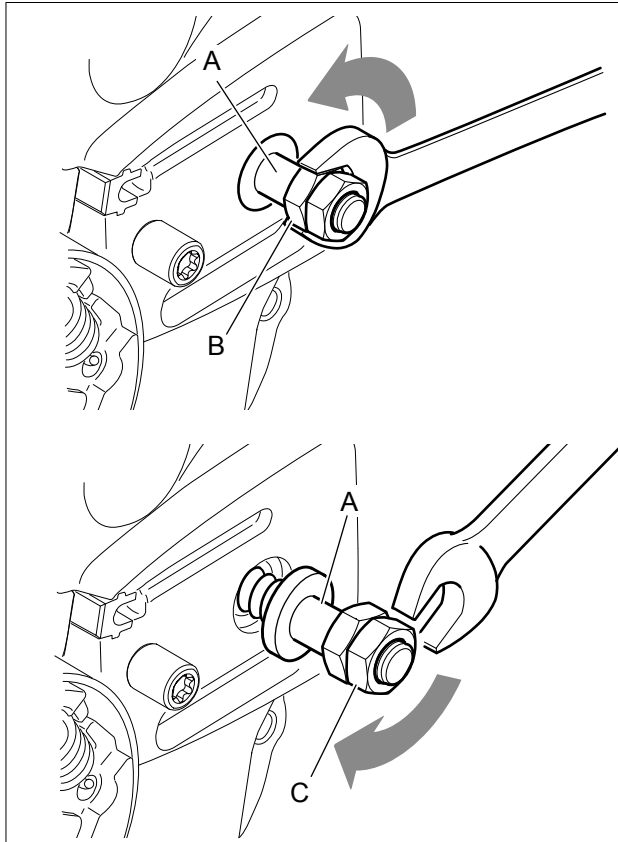
1. Remove bolt (A), sprocket guard plate (B), cover (C), tensioner screw (D), chain tensioner (E), bevel gear (F) and (G) from sprocket guard (H).
2. Check removed parts for damage or wear. Replace with new part(s) as required.

{Assembling}

3. Install bevel gear (G) into sprocket guard (H).
4. Screw chain tensioner (E) on tensioner screw (D).
5. Put bevel gear (F) on tensioner screw (D).
6. Install sub assembled tensioner screw in slot (h1) of sprocket guard (H) confirming engagement of bevel gear (F) and (G).
7. Reassemble cover (C) and sprocket guard plate (B). Tighten bolt (A).

NOTE : Make sure to hook tub (h2) on sprocket guard to hole (b) of sprocket guard plate (B)

10-3 Replacing guide bar stud

**{Disassembling}**

1. Remove chain catcher and sprocket guard plate from engine cover.
2. Install two nuts on defective stud (A) and tighten them against each other.
3. Turn nut (B) counterclockwise to remove stud.

NOTE: If it is hard to remove or broken stud is too short for tightening two nuts, hold defective stud by vise and turn the chain saw body counterclockwise, or use a suitable stud remover.

{Assembling}

4. Install two nuts on new stud and tighten them against each other.

NOTE: Apply a small amount of thread locking sealant in the thread hole (locktite® #272 or equivalent).

5. Turn nut (C) clockwise to install stud.
6. Reassemble removed parts.

11 MAINTENANCE GUIDE











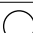



























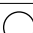










































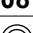


















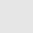






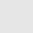


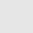










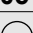





11-1 Troubleshooting guide

TROUBLE	
Engine does not crank.	01
Engine does not start.	02
Fuel leaks.	03
Idling is not stable.	04
Acceleration is poor.	05
Engine stalls at high speed.	06
Engine lacks power.	07
Engine seizure / overheat	08
Engine misfires.	09
Engine/others are extremely noisy.	10
Fuel consumption is excessive.	11
Vibration is excessive.	12
Engine does not stop.	13
Oiler does not function.	14
Saw chain does not cut well.	15

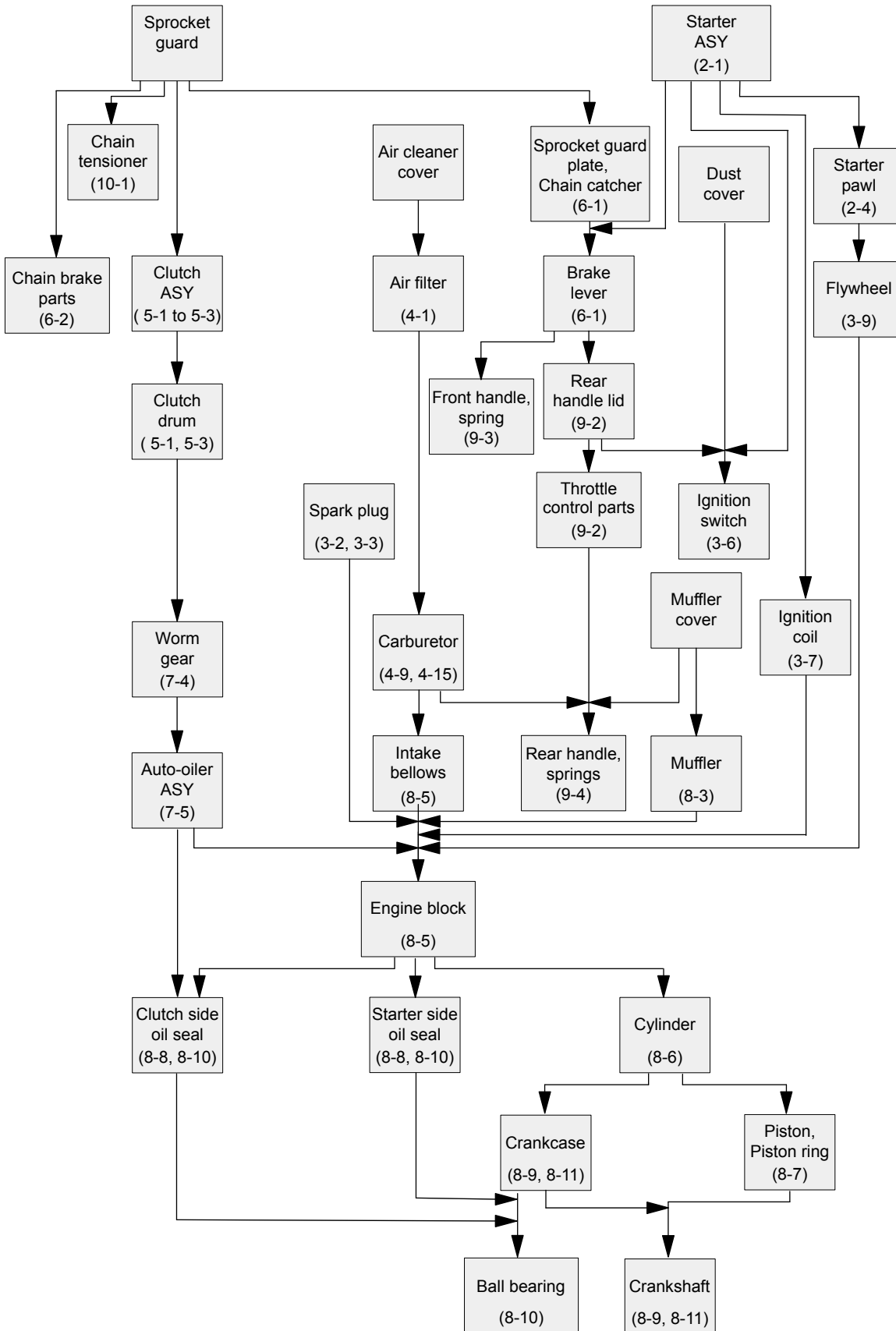
INSPECTING	REFERENCES	Inspecting <input checked="" type="radio"/> first.														
Starter system		15	14	13	12	11	10	09	08	07	06	05	04	03	02	01
Starter pawl/spring	2-4															<input checked="" type="radio"/>
Starter drum/rope	2-2															<input type="radio"/>
Rewind spring	2-3															<input type="radio"/>
Ignition system		15	14	13	12	11	10	09	08	07	06	05	04	03	02	01
Sparks	3-2							<input checked="" type="radio"/>			<input type="radio"/>	<input type="radio"/>	<input type="radio"/>			<input checked="" type="radio"/>
Spark plug	3-3							<input type="radio"/>	<input type="radio"/>		<input type="radio"/>	<input type="radio"/>	<input type="radio"/>			<input type="radio"/>
Spark plug cap / coil	3-4							<input type="radio"/>								<input type="radio"/>
Ignition switch	3-5			<input checked="" type="radio"/>				<input type="radio"/>								<input type="radio"/>
Ignition coil	3-7							<input type="radio"/>			<input type="radio"/>	<input type="radio"/>	<input type="radio"/>			<input type="radio"/>
Pole shoe air gaps	3-8							<input type="radio"/>	<input type="radio"/>				<input type="radio"/>		<input type="radio"/>	<input type="radio"/>
Flywheel	3-9				<input type="radio"/>			<input type="radio"/>					<input type="radio"/>			<input type="radio"/>
Flywheel key	3-9							<input type="radio"/>	<input type="radio"/>	<input type="radio"/>		<input type="radio"/>	<input type="radio"/>			<input type="radio"/>
Clutch system		15	14	13	12	11	10	09	08	07	06	05	04	03	02	01
Clutch shoes/spring/bearing	5-1 to 5-3	<input type="radio"/>			<input type="radio"/>		<input type="radio"/>									
Clutch drum	5-1, 5-3	<input type="radio"/>			<input type="radio"/>		<input type="radio"/>									
Sprocket	1-5, 5-1	<input type="radio"/>			<input type="radio"/>											

(Continued)

11-1 Troubleshooting guide (continued)

INSPECTING	REFERENCES	Inspecting  first.														
		15	14	13	12	11	10	09	08	07	06	05	04	03	02	01
Fuel system / Carburetor																
Air filter	4-1															
Fuel cap / strainer	4-3															
Carburetor adjustment	4-8															
Fuel tank/line/vent, Purge bulb	4-4 to 4-7															
Carburetor leakage	4-9															
Carburetor metering lever height	4-11															
Carburetor diaphragms	4-13															
Carburetor inlet needle valve	4-12															
Welch plug	4-14															
Crankcase pulse passage	4-10															
Throttle trigger	4-15, 9-2															
Fuel (octane / freshness / purity)	4-8-1															
2-stroke oil (grade / mix ratio)	4-8-1															
Saw chain lubrication system																
Oil cap	7-1															
Oil tank / line / strainer	7-1, 7-3															
Oil tank vent	7-2															
Worm gear	7-4															
Auto-oiler	7-5 to 7-7															
Guide bar / Oil holes	Clean															
Engine																
Cooling air passage	8-2															
Muffler / Exhaust port	8-3															
Cylinder compression	1-2, 8-1															
Crankcase / cylinder sealing	8-4															
Crankcase / Cylinder	1-5, 8-6, 8-9															
Piston / Piston ring	1-5, 8-7															
Oil seal / Ball bearings	8-10															
Others																
Chain brake	6-1 to 6-2															
Springs	9-3 to 9-4															
Chain tensioner	10-2															
Saw chain	Replace / Sharpen															

11-2 Disassembly chart



11-3 Service intervals

Inspecting point	Service	Reference	Intervals		
			Daily	3 months or 100 hours	6 months or 300 hours
Screws and bolts *	Retighten / Replace			○	
Air filter	Clean	4-1	○		
	Inspect / Replace	4-1		○	
Carburetor	Inspect / Repair	4-8 to 4-15			○
Fuel leaks	Inspect / Repair	4-4, 4-7	○ **		
Fuel line	Inspect / Repair	4-4, 4-7		○	
Cooling system	Inspect / Clean	8-2	○		
Spark plug	Clean / Regap	3-3		○	
	Inspect / Replace	3-2, 3-3			○
Fuel strainer	Clean / Replace	4-3		○	
Leads and connections	Inspect / Repair	3-5, 3-6		○	
Fuel tank	Clean inside.	4-4		○	
Muffler and exhaust port	Clean	8-3		○	
Starter system	Inspect / Repair	2-1 to 2-4		○	
Oil tank	Clean inside.			○	
Oil strainer	Clean / Replace	7-1		○	
Sprocket	Inspect / Replace	1-5, 5-1		○	
Guide bar	Inspect / Clean		○		
Chain brake	Inspect / Repair	6-1 to 6-3	○		

Daily: Inspecting in every services.

IMPORTANT: Service intervals shown above are maximum. Actual use and your experience will determine the frequency of required maintenance.

* Retighten the following screws and bolts after first 1 week use, and every 3 months.

Starter assembly screws (3 pcs.)

Counter-vibration spring screws (4 pcs.)

Front handle screws (2 pcs.)

Muffler bolts (3 pcs.)

** Inspect after every refuel.

- Air cleaner cover 25, 26, 82
Air filter 25, 26, 80, 82, 83
Auto-oiler 4, 50, 54, 55, 56, 82
Ball bearing 57, 82
Bevel gear 78
Brake band 46, 48, 49
Brake connector 46, 48, 49
Brake cover 4, 46, 48, 49
Brake lever 4, 46, 47, 82
Carburetor 2 to 4, 25, 36 to 42, 82, 83
Carburetor adjustment 36, 37, 81
Chain brake 46, 80, 81, 82
Chain catcher 4, 18, 46, 82
Chain oil discharge volume 3, 56
Chain tensioner 77, 82
Clip 21, 34
Clutch 2, 3, 4, 43 to 45, 82
Clutch drum 5, 43 to 45, 80, 82
Clutch hub 4, 43, 45
Clutch plate 43 to 45
Clutch shoes 43, 45, 80
Clutch spring 43, 45, 80
Clutch system 43
Collar, ignition coil 13, 22
Collar, intake bellows (for pulse passage) 25, 37, 60, 71, 72
Collar, intake bellows 25, 62, 75
Collar, brake connector 46, 49
Collar, brake lever 46, 47
Compression gauge, cylinder 6, 58
Compression pressure 3, 58
Connector, fuel cap 25, 28
Connector, oil cap 50
Cooling air passage, engine 59, 83
Crankcase 4, 39, 57, 61, 62, 81, 82
Crankcase pulse passage 39
Crankshaft 5, 57, 82
Cylinder 4, 5, 57, 59, 61 to 63, 69, 81, 82
Cylinder compression 6, 58, 81
Cylinder sealing 61, 62
Disassembly chart 82
Dust cover 17, 20, 21, 82
Engine 2 to 4, 57 to 69, 82
Exhaust port, cylinder 60, 61, 81
Flywheel 4, 12 to 14, 22 to 25, 80, 82
Front handle 4, 73, 82
Fuel cap 25, 28, 81
Fuel line 25, 29, 33, 34, 81, 83
Fuel return line 25, 29, 33, 34
Fuel strainer 25, 28, 81, 83
Fuel system 25
Fuel tank 2, 25, 29, 83
Fuel tank vent 25, 30, 31
Gasket, carburetor diaphragm 40
Gasket, fuel cap 25, 28
Gasket, oil cap 49
Grease 4, 10, 11, 44, 48, 52, 55, 64
Grommet, fuel tank 25, 33, 34
Guide bar 2 to 4, 77 to 79, 81, 83
Guide bar mounting system 77
Guide bar stud 4, 77, 79
H mixture needle 3, 35, 36
Handle and control system 69
High tension lead 16
Ignition coil 4, 13, 14, 22, 23, 80, 82
Ignition switch 4, 13, 14, 17 to 21, 80, 82
Ignition system 2, 3, 13
Ignition timing 3
Inlet needle valve 39, 81
Intake bellows 4, 38, 61, 82
Key, flywheel 13, 23, 24, 80
L mixture needle 3, 35, 36
Maintenance guide 80 to 83
Metering diaphragm 40
Metering lever 3, 6, 38, 39
Metering lever height 3, 6, 38, 81
Muffler 2, 4, 57, 60, 81 to 83
Needle bearing, clutch 4, 42 to 44, 80
Needle bearing, piston pin 56, 63, 64
Oil cap 49, 81
Oil line 49, 51, 81
Oil seal 4, 6, 56, 64, 81, 82
Oil strainer 49, 83
Oil tank 2, 49, 50, 81, 83
Oil tank vent 49, 50, 81
Piston 5, 6, 56, 63, 64, 68, 81, 82
Piston pin 5, 6, 56, 63, 64
Piston ring 5, 6, 56, 63, 64, 68, 81
Plunger gear, auto-oiler 53 to 55
Pole shoe air gaps 3, 6, 23, 80
Pressure connector 2, 57
Pulse passage 38, 60, 68, 81
Pump diaphragm 40
Purge bulb 25, 32, 80
Rear handle 4, 9, 74 to 76, 82
Rear handle lid 4, 72, 76, 82
Rewind spring 7, 8, 10 to 12, 80
Rewind spring case 7, 8, 10
Rope reel 7 to 12
Saw chain 2, 3, 81
Saw chain lubrication system 49
Screen, carburetor inlet 40
Service information 2 to 6
Service intervals 83
Service limits 5
Spark arrester screen 56, 59
Spark plug 2 to 4, 13 to 16, 80, 82, 83
Spark plug cap 13, 16, 80
Spark plug cap coil 13, 16, 80
Spark plug gap 3, 15
Spark tester 5, 6, 15
Special repairing materials 4
Special tools 6
Specifications 2
Spring, anti-vibration system 4, 69, 73 to 75, 81, 82
Spring, metering lever 38, 39
Spring pin 39
Sprocket 2, 5, 43, 44, 82, 83
Sprocket guard 77, 78, 82
Starter case 4, 7, 8
Starter grip 7, 9
Starter pawl 4, 12, 80, 82
Starter rope 2, 9, 80
Starter system 7, 83
Switch lead 19, 20, 22
Technical data 3
Test pressure, carburetor 3, 37
Throttle adjust screw 3, 35, 36
Throttle lockout 69, 72
Throttle rod 41, 69, 72
Throttle trigger 69, 72, 81
Torque limits 4
Torsion spring, brake lever 45, 46
Torsion spring, starter pawl 12
Torsion spring, control system 69, 72
Troubleshooting guide 80, 81
Welch plug 6, 40, 81
Worm gear 44, 49, 52, 82

ECHO®

YAMABIKO

Published by
YAMABIKO Corp.
Tokyo Japan

1802