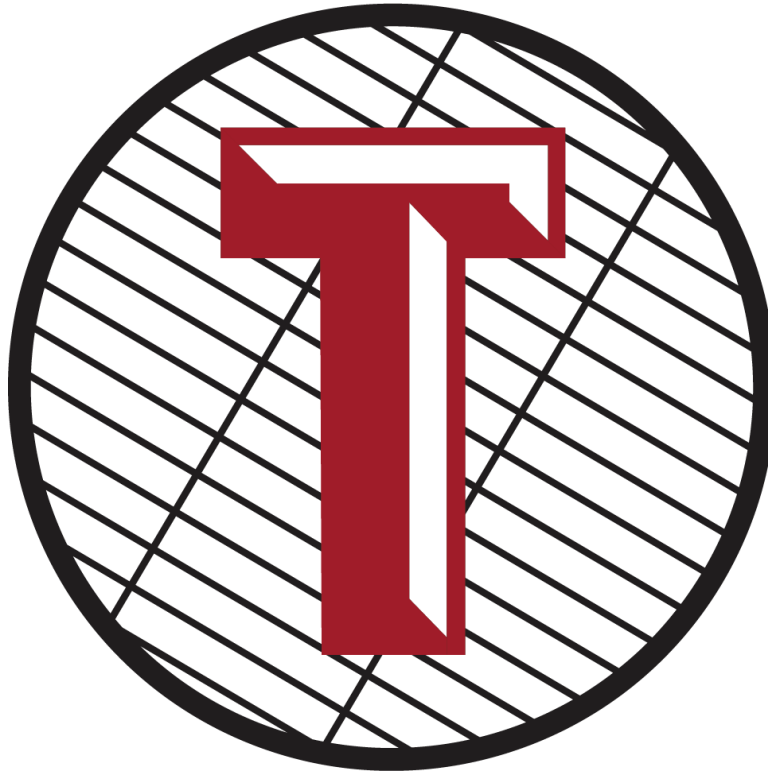


TYTUS Grills Natural Gas Conversion Kit

Item # A10002



Warning

To reduce the risk of fire, burn hazard or other injury, read the manual carefully and completely before using your grill.

Warning: For Outdoor Use Only.

Questions, problems, missing part?

Contact Customer Service via:

Phone: 855-969-5185

Email: Support@TYTUSgrills.com

Natural Gas Safety Instructions

- Your grill is designed to be natural gas convertible, at a pressure of 7" water column (W.C.)(1/4 psig or 1.75 kpa), regulated at the residential meter. Check with your gas utility company for local gas pressure and with your local municipality for building code requirements. If your residential gas line pressure has not been regulated to 7" W.C., contact your local gas utility company for professional assistance.
- You must use the gas pressure regulator supplied with this appliance. This regulator is set for an outlet pressure of 4" W.C.
- It is recommended that a shut off valve be installed at the gas supply source outdoors. Install the valve at a point after the gas pipe exits the outside wall and before the quick disconnect hose, or install it at the point before the gas line piping enters the ground. See Figure 1 (Page #8).
- You must use pipe sealing compound or pipe thread tape that's resistant to the action of natural gas on all male pipe threads when making connections.
- Disconnect your gas grill from its fuel source when testing the gas supply at high pressures. This gas grill and its individual shut off valve must be disconnected from the gas supply pipe system during any pressure testing greater than 1/2 psi (3.5 kPa).
- Turn off your gas grill when testing the gas supply at low pressures. During any pressure testing at pressures equal to or less than 1/2 psi (3.5 kPa), you must close the individual manual shut off valve to isolate the grill from the gas supply pipe system.
- The quick disconnect is attached to a 3/8-inch NPT thread from the gas source. The quick disconnect fitting is a hand-operated device that automatically shuts off the flow of gas from the source when it is disconnected.
- The quick disconnect fitting can be installed horizontally or pointing downward. DO NOT install the fitting with the opening pointing upward because the fitting could collect water and debris.
- Dust covers (plastic plugs) are provided with the quick disconnect to help keep the open ends clean while disconnected.
- The outdoor connector must be firmly attached to a ridged permanent construction.
- The quick disconnect MUST BE installed above ground.
- WARNING: Do not route the 10-foot quick disconnect hose under a deck. The hose must be visible and inspected prior to each grill use.

Gas Line Piping

- If you are using less than 50 feet of gas line, use a 5/8" O.D. tube. For lengths greater than 50 feet, use one size larger.
- Gas piping may be copper tubing (type K or L), polyethylene plastic tube (with a minimum wall thickness of 0.062 in.), or standard weight (schedule 40) steel or wrought iron pipe.
- Copper tubing must be tin-lined if the gas contains more than 0.3 grams of hydrogen sulfide per 100 ft.³ of gas.
- Plastic tubing is suitable only for outdoor, underground use.
- Gas piping in contact with earth, or any other material which may corrode the piping, must be protected against corrosion in an approved manner.
- Underground piping must have a minimum of 18" cover.

Test Connections

All connections and joints must be thoroughly tested for leaks in accordance with local codes and all listed procedures in the latest edition of ANSI Z21.58-2018/CSA 1.6-2018.

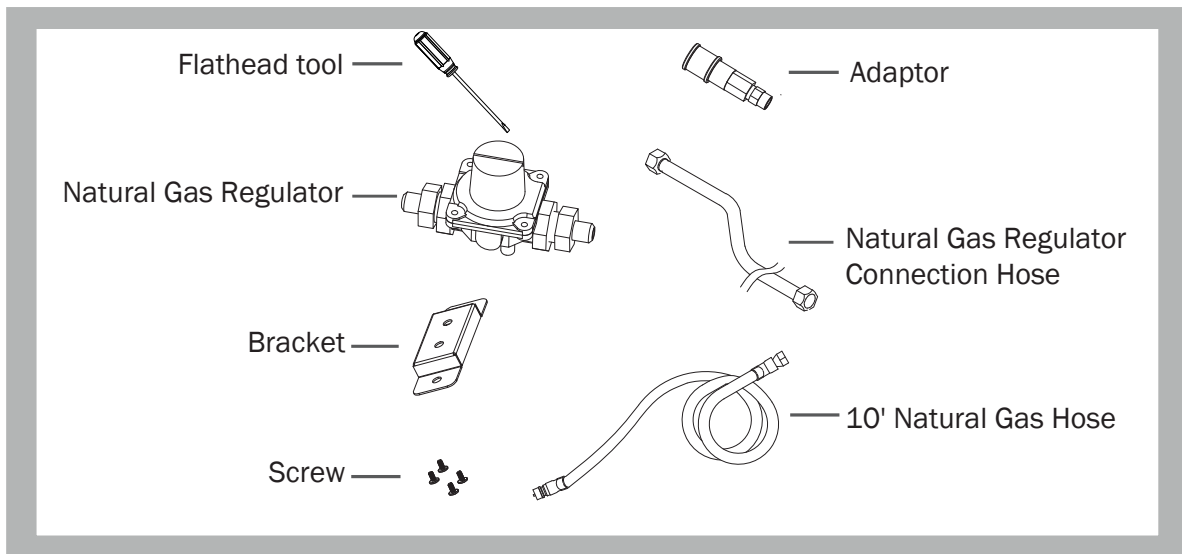
DANGER

Do not use an open flame to check for gas leaks. Be sure there are no sparks or open flames in the area while you check for gas leaks. This will result in a fire or explosion which can cause serious bodily injury or death and damage to property.

WARNING

The installation must conform with local codes or, in the absence of local codes, with either the National Fuel Gas Code, ANSI Z223.1/NFPA 54, or the Natural Gas and Propane Installation Code, CSA B149.1, or the Propane Storage and Handling Code, CSA B149.2, or the Standard for Recreational Vehicles, ANSI A119.2/NFPA 1192, and CSA Z240 RV Series, Recreational Vehicle Code, as applicable.

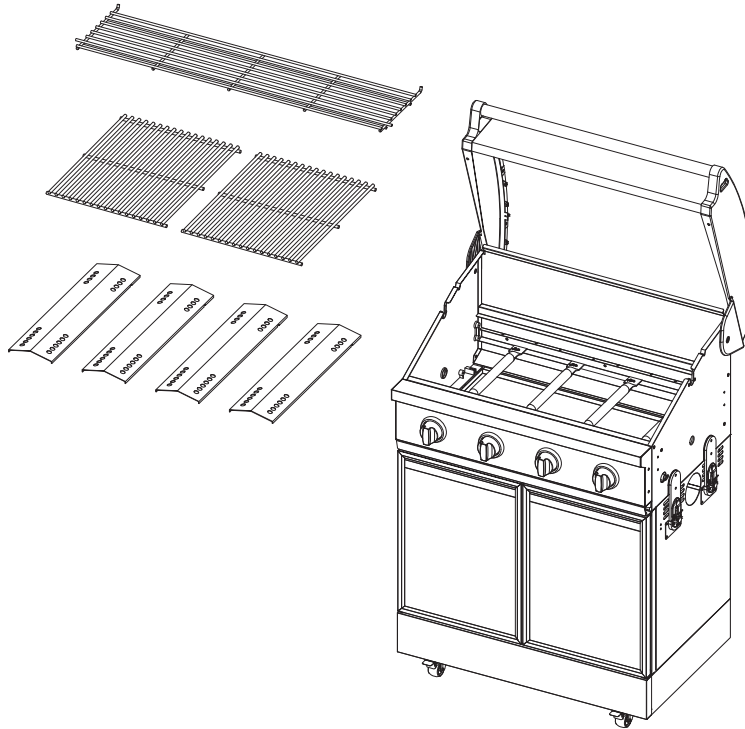
Convert to Natural Gas



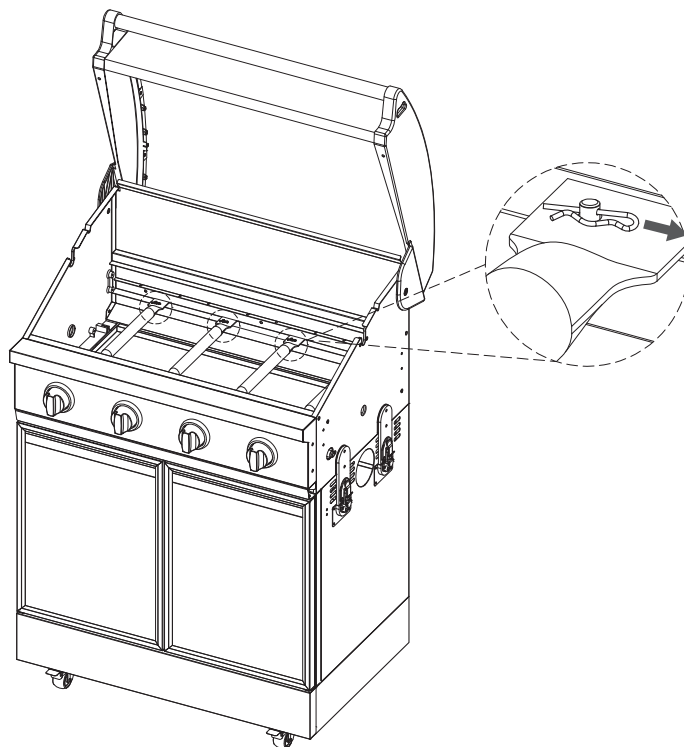
Preparation:

Before beginning conversion, make sure all parts are present. Place the grill on flat, level surface. Make sure all the control knobs are in the OFF position, LP tank valve is closed, and tank is disconnected from regulator and removed from the grill.

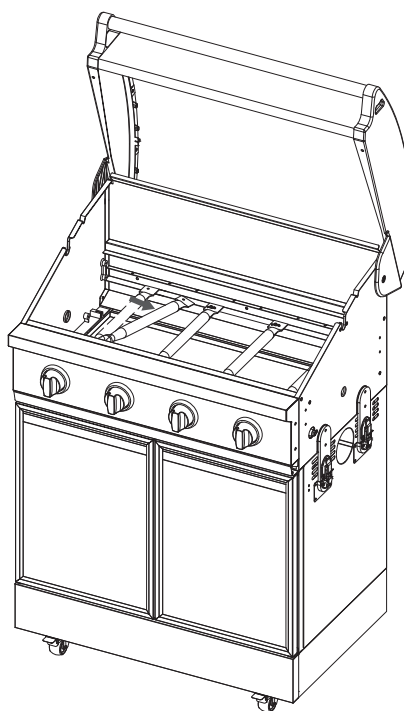
Step 1: Remove the flame tamers, cooking grates, and the warming rack.



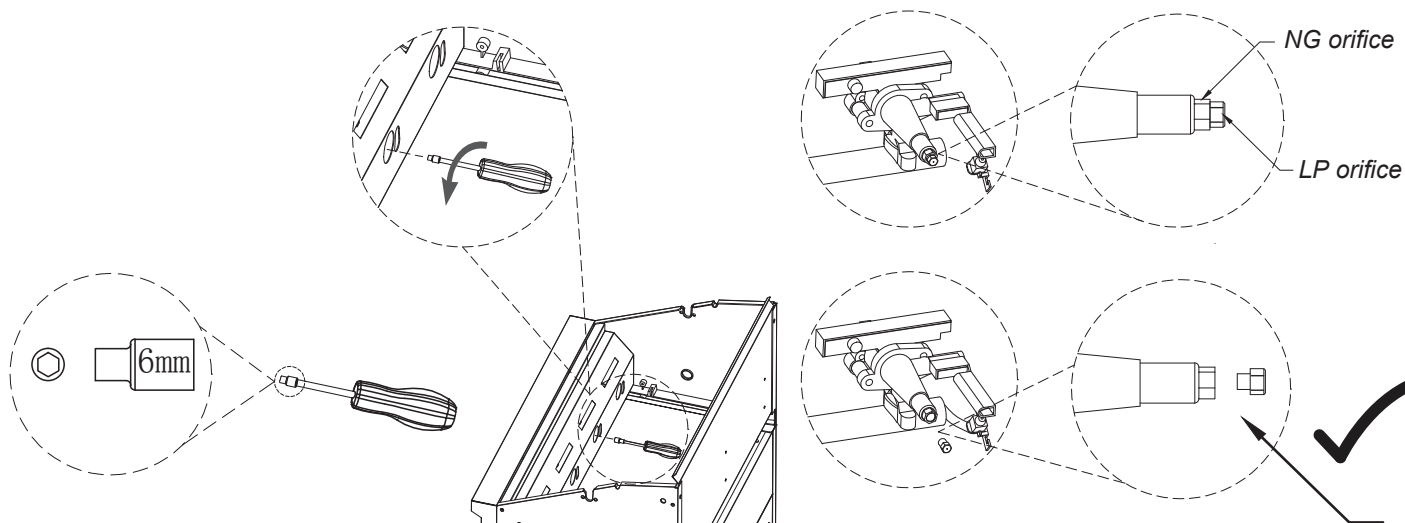
Step 2: Remove the cotter pins.



Step 3: Remove the burners.

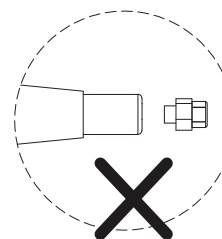


Step 4: Remove the LP orifices.



Warning
If your TYTUS Grill is an Island model (with side carts) you must also remove the LP orifice from the side or sear burner.

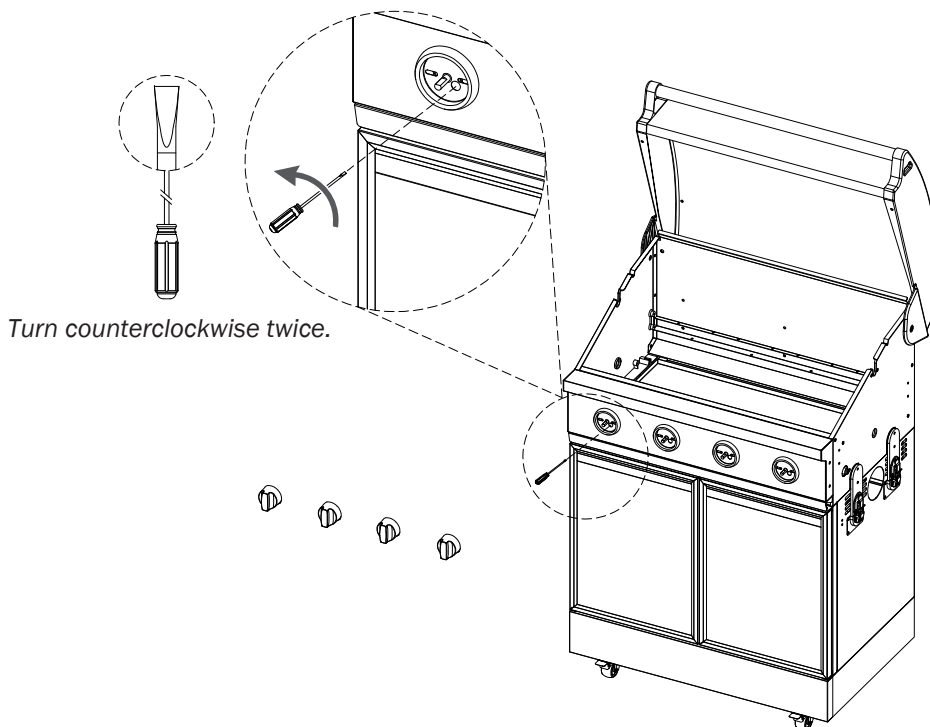
Please make sure to **ONLY** remove the liquid propane (LP) orifices for the conversion process, and **DO NOT** remove the natural gas orifices.



Step 5: Remove the control knobs and use flathead tool to make two counterclockwise turns. Turning this will allow natural gas to flow when it is connected.

Warning

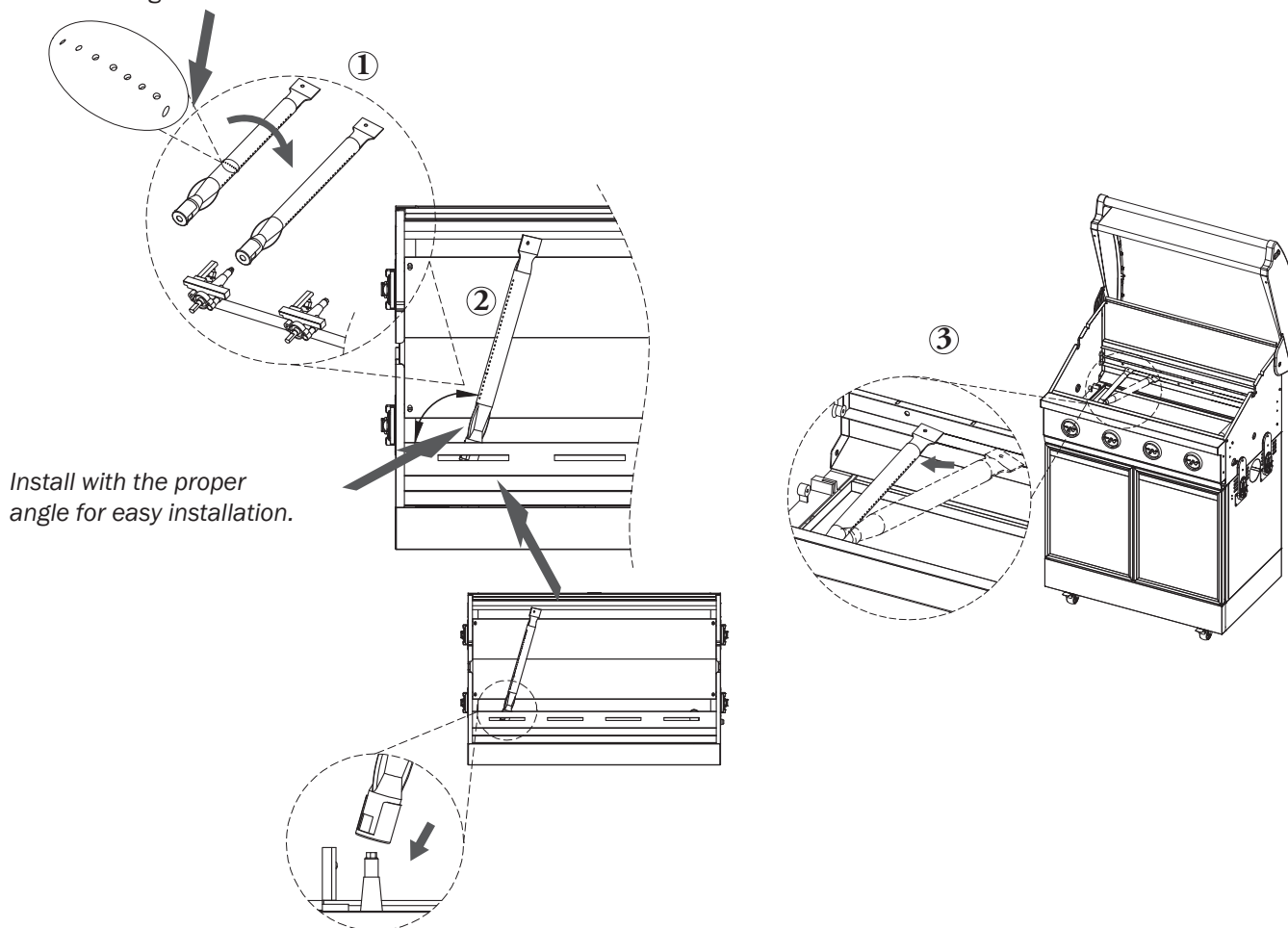
Failure to turn the control knob counterclockwise 2 times will result in low heat setting working improperly.



Turn counterclockwise twice.

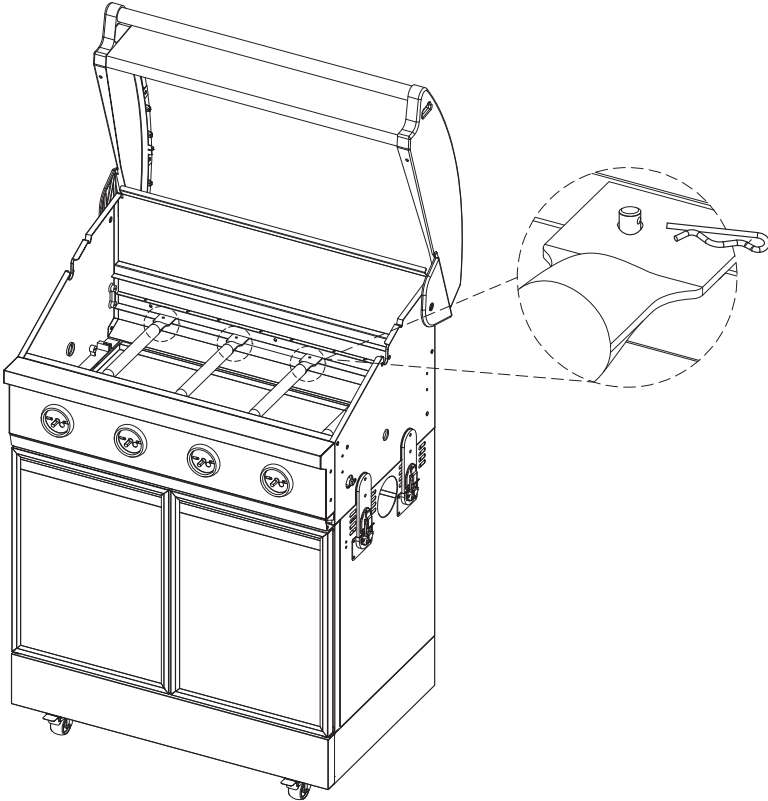
Step 6: Install the burners.

Make sure the cross lighting ports are toward the bottom when installing.

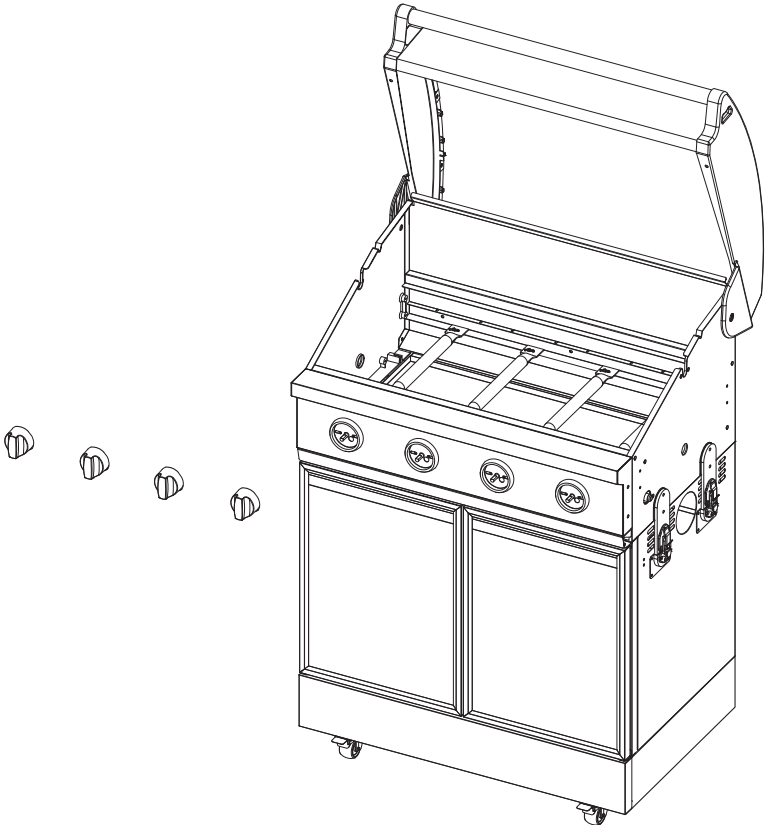


Install with the proper angle for easy installation.

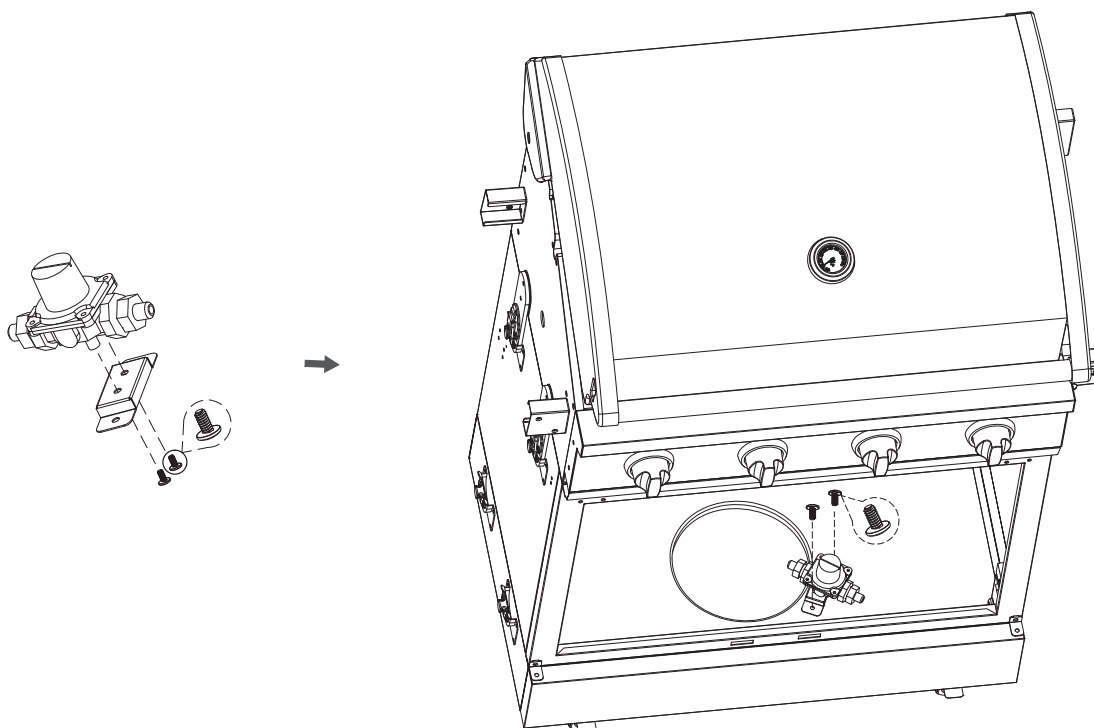
Step 7: Install the cotter pins.



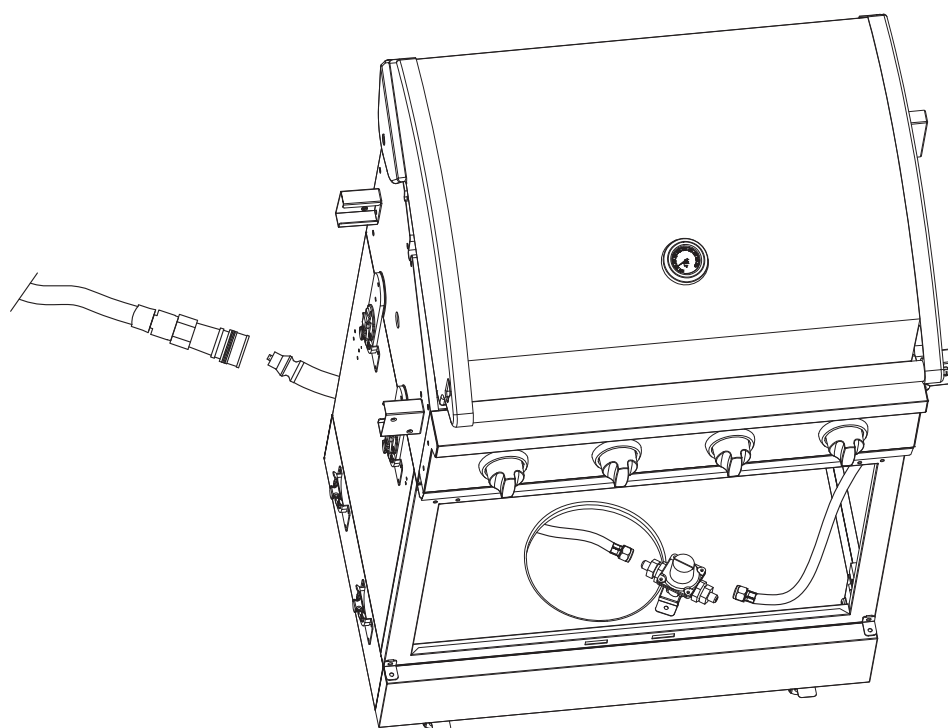
Step 8: Install the control knobs.



Step 9: Install the NG regulator on the bracket and install the kit on bottom box.

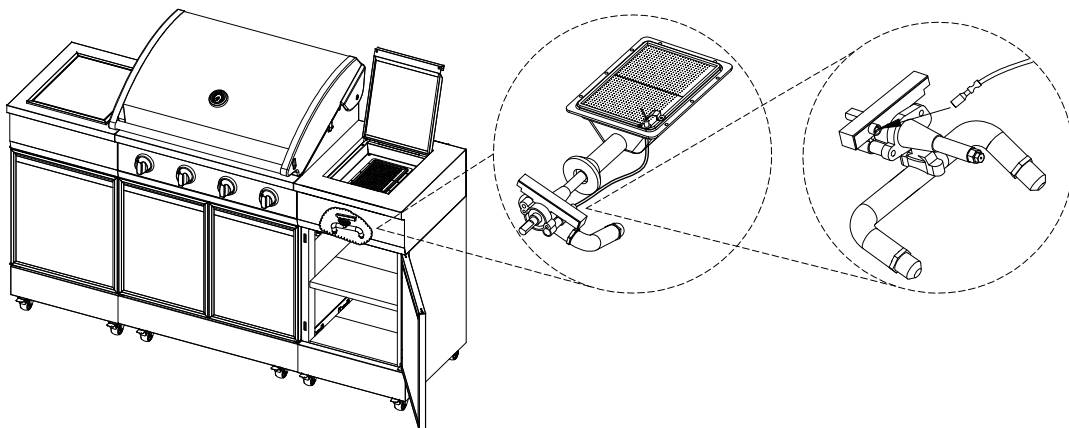


Step 10: Connect to the natural gas source.

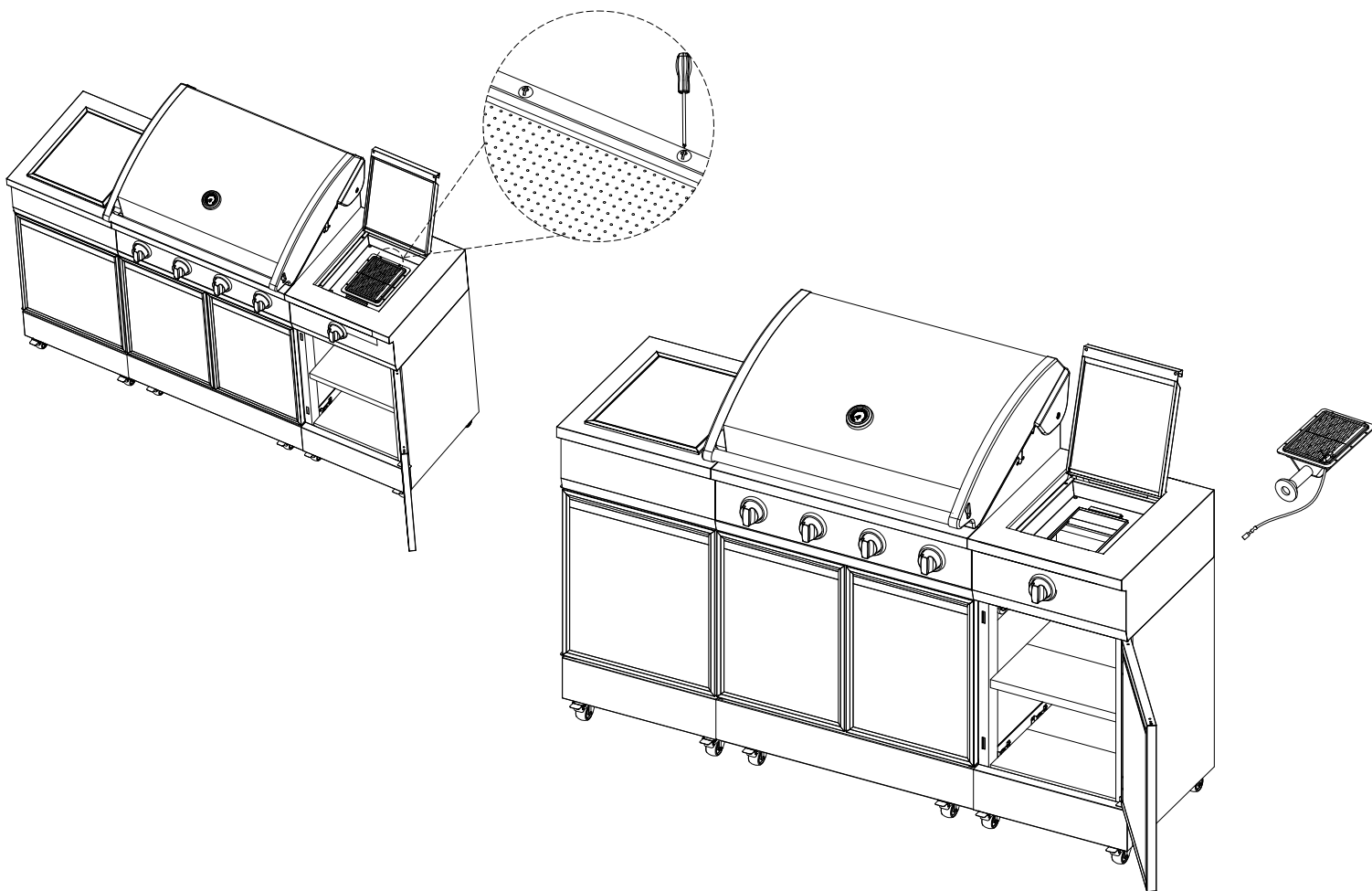


If your grill has a SEAR burner:

Step 11: Open the right cabinet door, and pull off the ignition wire attached on the valve.

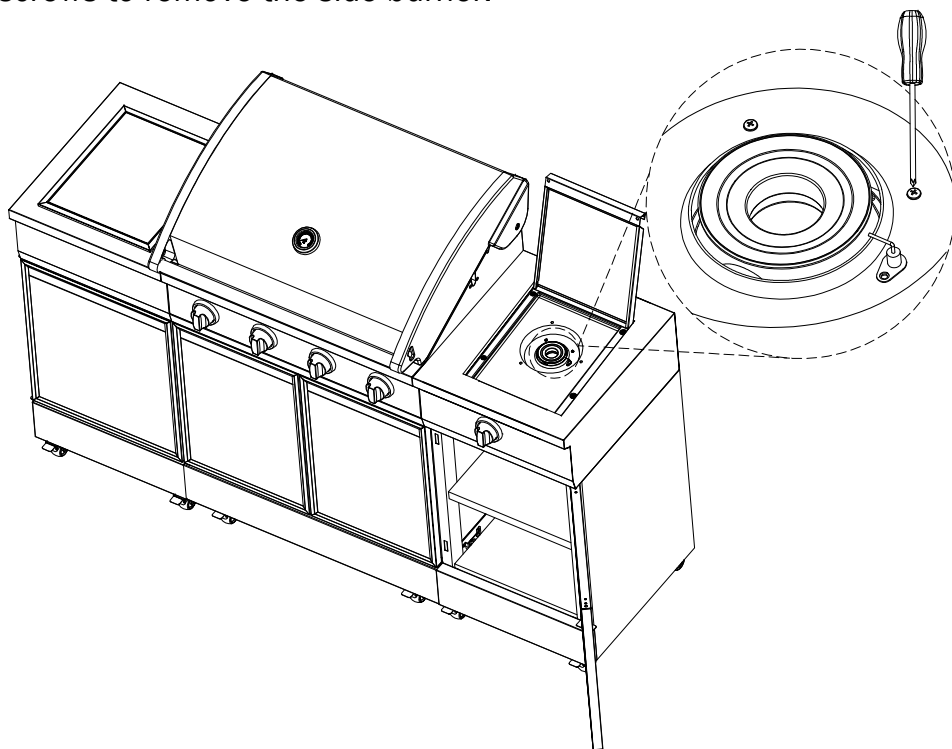


Step 12: Remove 2 screws to remove the sear burner.

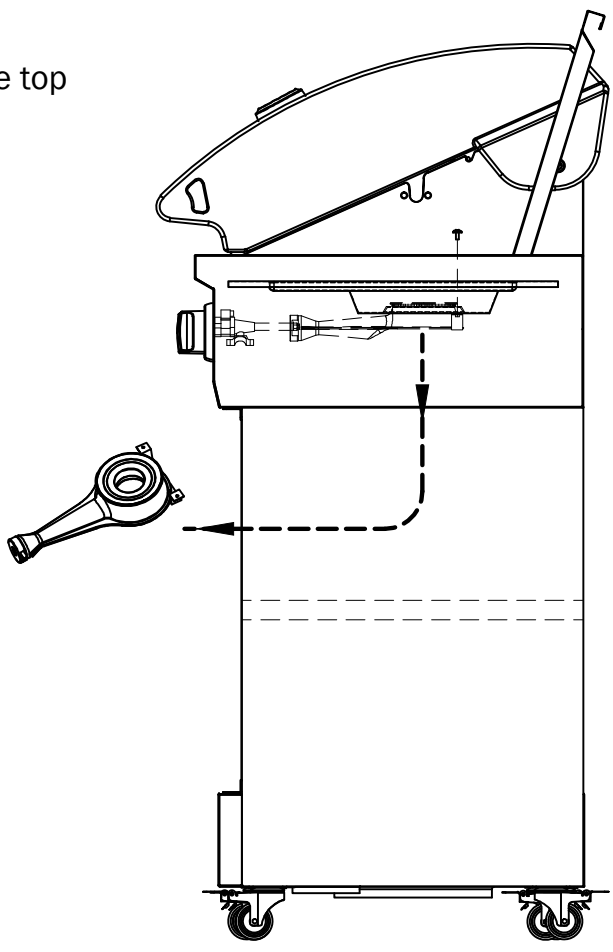


If your grill has a SIDE burner:

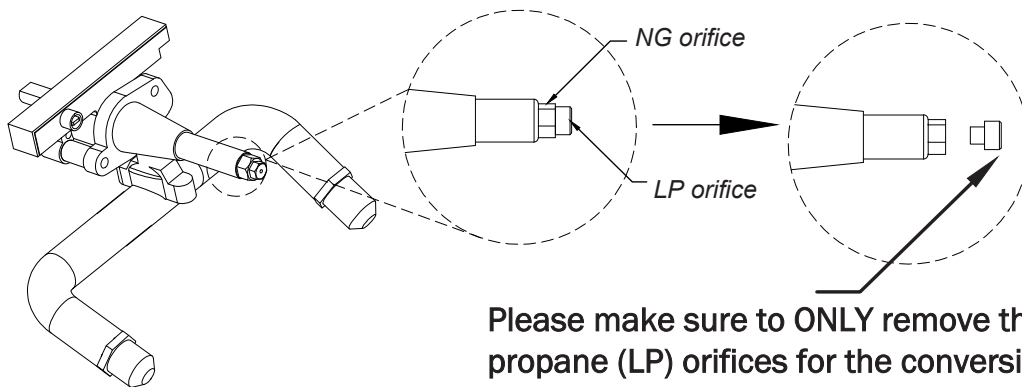
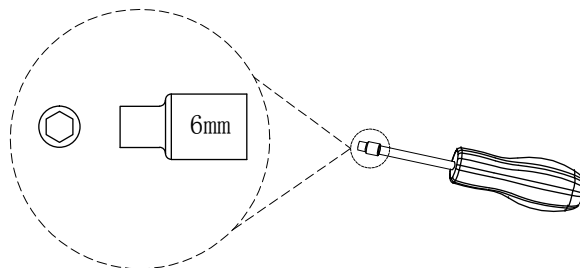
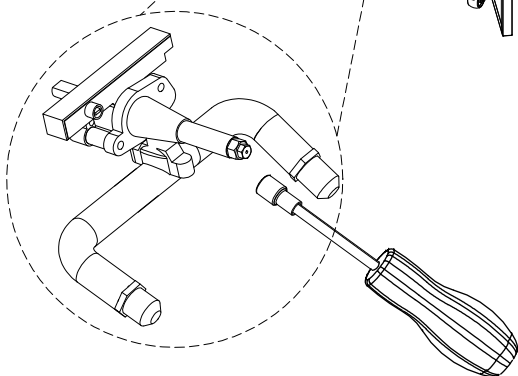
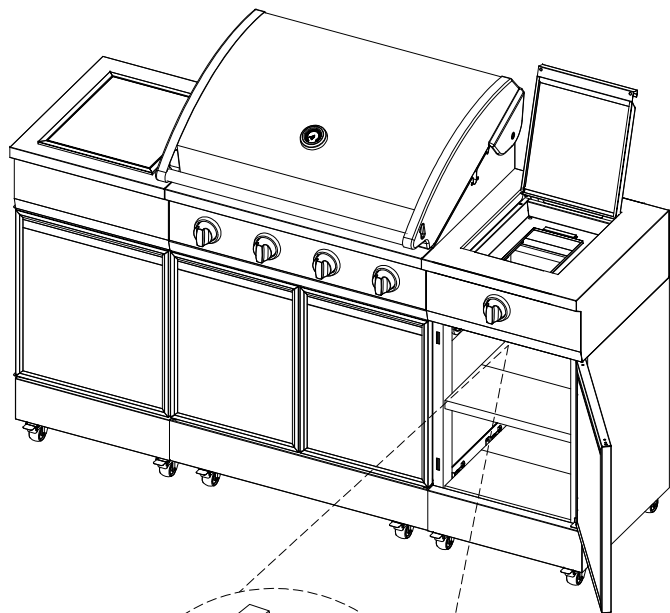
Step 11: Remove 2 screws to remove the side burner.



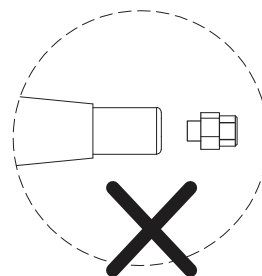
Step 12: Remove the side burner unit from the top cap.



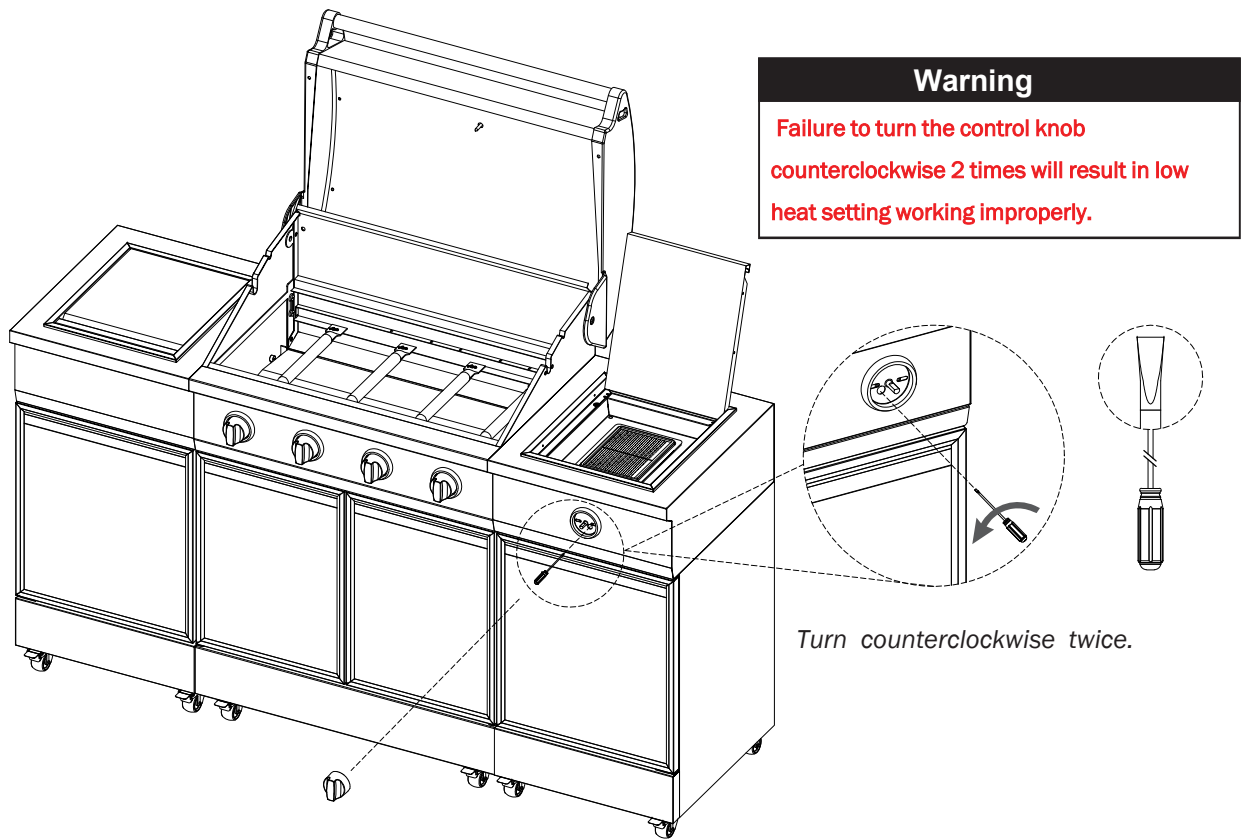
Step 13: Remove the liquid propane orifices from the side or sear burner valve and leave the natural gas orifices in place. Reinstall the side or sear unit.



Please make sure to **ONLY** remove the liquid propane (LP) orifices for the conversion process, and **DO NOT** remove the natural gas orifices.



Step 14: Remove the control knobs and use flathead tool to make two counterclockwise turns. Turning this will allow natural gas to flow when it is connected. Reinstall the knob.



15. Reinstall the four flame tamers, two cooking grates, and warming rack .

16. Typical NG Grill Pipe Installation . Hose Requirements.

- The TYTUS Grills conversion kit is designed to ONLY fit TYTUS LP convertible Grills and Grill Islands.
- If the hose becomes worn or damaged, please contact customer service.

Figure 1

