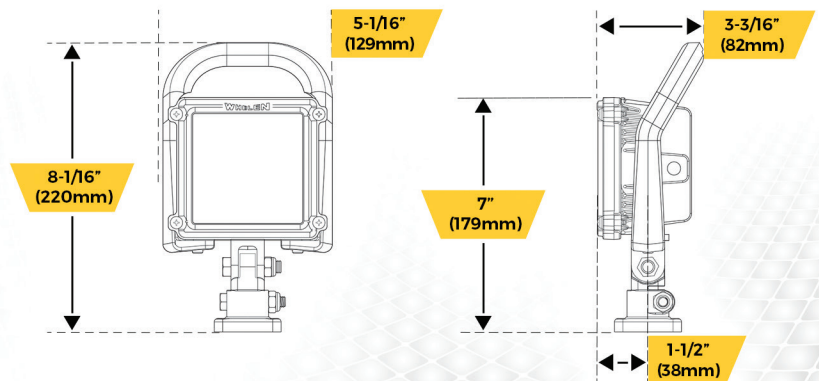




WHELEN AEROSPACE TECHNOLOGIES



# RANGE SERIES



## SPECS

- 8° spotlight pattern comes standard. Includes three additional optic lenses for a light pattern choice of:
  - 90° x 20° wide flood
  - 40° x 20° standard flood
  - 40° x 8° narrow flood
- Optic lens changes easily via removable lens retainer
- Injection molded polycarbonate lenses are impact resistant and hard-coated
- Die-cast aluminum powder-coated housing in gray
- Solid-state electronics
- LEDs are instant On/Off, eliminating ramp up time and high current inrush

- Correlated Color Temperature (CCT) of 5,700° kelvin simulates bright midday light
- Includes 72" cable
- Great for de-icing trucks, maintenance trucks, Lav trucks, etc...

MODEL	PART#	DESCRIPTION
FLR12	01-0690887-13	Range Series



WARNING: These products may contain chemicals known to the State of California to cause cancer and birth defects or other reproductive harm. For more information, visit [flywat.com/regulatory](http://flywat.com/regulatory).



WHELEN AEROSPACE TECHNOLOGIES

WWW.FLYWAT.COM/GSE ● 1-772-267-6615

210 AIRPORT DRIVE EAST ● SEBASTIAN, FL 32958